

## Included Components

- A. Hardware Packet Z or A, with Instructions (Not Shown)
- B. Glacier Glass with Black Backer QTY: 8
- C. Cable Grippers QTY: 8
- D. Coax Cable QTY: 3 (installed on body)
- E. Cable QTY: 4
- F. Canopy with cover plates and LED drivers Installed
- G. Nylon Thumb Screws QTY: 16 (for glass retention)
- H. Fixture Body QTY: 1

**NOTE:** CHB0061-2B will include 2X the amount of components

## Required Tools

1. Flat Head and Phillips screw driver (not provided)
2. Wire cutters/strippers (not provided)
3. Heat Gun (not provided)

## Assembly Instructions

**Step 1:** Remove the cover plates by unscrewing the 6 flathead screws holding the cover plates to the main canopy (F). Mount the canopy with the provided hardware and instructions (A).

**Step 2:** Make wire connections from drivers to power source, **Black to Black** and **White to White**. Install the outer cover plate ring back onto the main canopy (F).

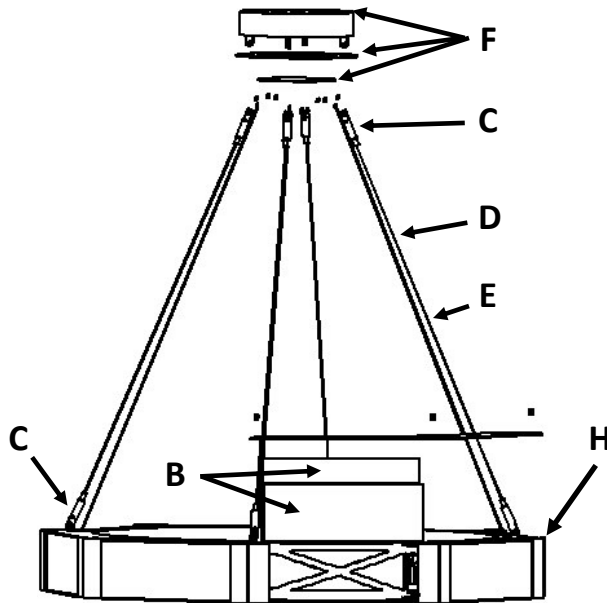
**Step 3:** Using a flat head screw driver. Install the Cable Grippers (C) to the tabs on the canopy (F) and the fixture body (H).

**Step 4:** Starting with the canopy side loosen the Knurled Knob on the cable gripper and insert one end of the steel cable (E) into the gripper. When you start to see the cable through the side of the gripper stop and tighten the knurled knob up. Slide free end of cable through heat shrink tubing. Repeat for remaining canopy grippers.

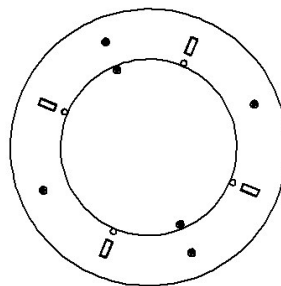
**Step 5:** Now loosen up the cable grippers on the fixture (H). Insert the cable and pull the excess through the gripper. Adjust the cables until the fixture is at the correct height and level. Tighten grippers up and trim excess cable with wire cutters.

**Step 6:** Take the coax cable (D) and insert through heat shrink tube and run up into wire way hole in canopy just behind the cable gripper mount. Remove the cable loop from canopy and slide over coax. Pulling the coax snug reinstall the cable loop to canopy. Repeat for the remaining cables. Make wire connections from the fixture to the LED driver (**one cable goes to one driver**). For wire connections see included instructions.

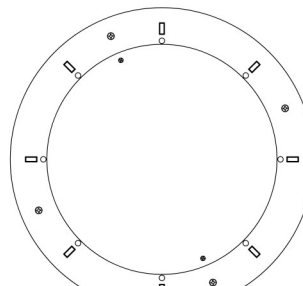
**WARNING: DO NOT CONNECT FIXTURE DIRECTLY TO POWER SOURCE OR THE LED WILL BE DAMAGED.**



EXAMPLE FIXTURE  
CHB0061-36



EXAMPLE CANOPY  
CHB0061-36



EXAMPLE CANOPY  
CHB0061-2B

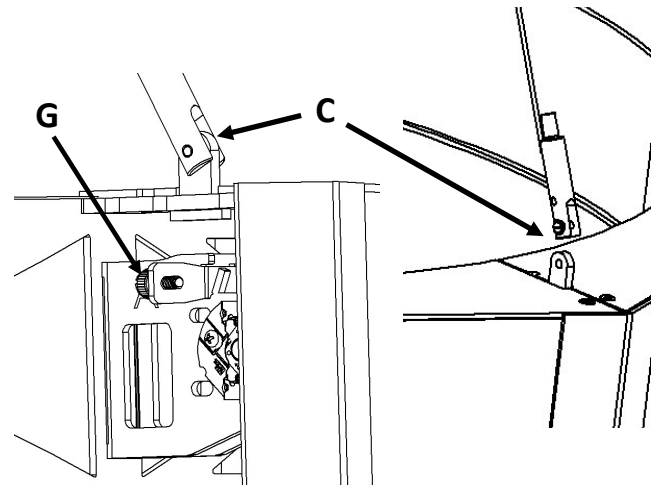
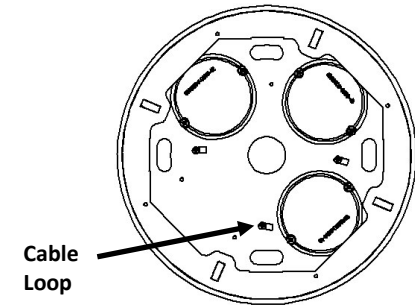
**Step 7:** After fixture has been tested for illumination reinstall the center cover plate on the canopy. Carefully Use a heat gun to shrink the heat shrink tubing around the steel cables.

**Step 8:** Installing the glass: On the top of the fixture there are 12 Phillips flathead screws, remove those and pull the cover plates off. Install the included thumb screws (G) into the mounting tabs. Only go until they start to protrude through the tab.

**Step 9:** Carefully Grab the Glass (**the broken glass side can be sharp**) and Black Backer (B). Place the backer on the broken glass side and insert into fixture. Then tighten thumb screws (G) to hold the glass in place. Repeat for remaining glass.

**Step 10:** Now reinstall cover plates back onto body. Leave the screws loose until you have all three screws in the cover plate. Then tighten them up repeat for remaining cover plates.

**For Install of CHB0061-2B:** Repeat steps 1-10 for second fixture light body



## About Hammerton Studio

### HAMMERTON STUDIO

When we introduced the Hammerton Studio brand in 2014, we saw an enormous opportunity to raise the bar in decorative lighting. In design, we wanted to lead rather than follow. In construction, we wanted to showcase Hammerton's renowned reverence for time-honored artisan craftsmanship and authentic materials. In performance, we wanted to provide highly reliable solutions that far exceeded industry norms for aesthetics, function, and quality. Based on the brand's dramatic growth and customer feedback, it's clear we are on the right track.

### EXTRAORDINARY DESIGN VALUE IN ARTISAN GLASS & METALWORK

Hammerton began in 1995 as a blacksmith shop, but we've come a long way since then. Today we employ a world class team of metal artisans who are disciplined in a broad range of fabrication techniques and processes. We've also added in-house capabilities in blown, cast and kiln-fused glass, and today Hammerton operates one of the largest artisan glass production facilities in the U.S. With deep design and fabrication expertise at the intersection of glass and metalwork, we're laying the foundation for a new era of lighting innovation.

### THE HAMMERTON HERITAGE

Our Hammerton Studio brand stands on the shoulders of more than a quarter century of experience pushing the boundaries of innovative custom lighting design. Each Hammerton Studio collection has been inspired by custom work our company has brought to life in collaboration with leading interior design professionals over the years. Built to your specifications, every fixture reflects the uncompromising design and attention to detail that is distinctly Hammerton.

### A REPUTATION REFLECTED BY OUR CLIENTS

Hammerton fixtures are as extraordinary as the clients who purchase them, including Forbes 400 members, Fortune 500 leaders, award-winning entertainers, fashion and interior designers, sports legends, and leading luxury hospitality brands.

Hammerton Inc.  
217 Wright Brothers Drive  
Salt Lake City, UT 84116

801-973-8095  
info@hammerton.com  
[www.hammerton.com](http://www.hammerton.com)

## Warranty

### ONE YEAR LIMITED WARRANTY

Hammerton, Inc. (Hammerton) warrants the original owner that this product will be free of defects in material or workmanship for the period of one year from the date of original purchase from Hammerton, if (i) the allegedly defective product has not been abused, misused or improperly maintained and or repaired during the warranty period, (ii) the defect is not caused by water damage/flooding, fire, explosion, earthquakes or similar phenomenon, and (iii) the defect is not caused by improper installation (unless installed by Hammerton).

In order to obtain warranty service, the user must first complete a warranty claims form. Hammerton will determine if the product will be inspected on site or returned to Hammerton. If after the inspection Hammerton finds that the product is defective as claimed, Hammerton will, at its option, repair or replace the product free of charge, or Hammerton may also agree to outsource necessary repair work locally using local contracted labor. Prior to any outsourcing of repair work regarding this fixture, a Work Authorization Form must be signed by both the client and Hammerton Representative. Failure to do so may result in a denial of reimbursement. Hammerton warrants any replaced or repaired products for ninety days after shipment or through the end of the original warranty period, whichever is longer. All products or parts that are replaced become the property of Hammerton.

No representative or employee of Hammerton is authorized to make any modification or addition to this limited warranty.

TO THE FULL EXTENT ALLOWED BY LAW, THE FOREGOING WARRANTY AND REMEDIES ARE EXCLUSIVE, AND HAMMERTON EXPRESSLY DISCLAIMS ALL OTHER WARRANTIES, EXPRESSED OR IMPLIED, INCLUDING WITHOUT LIMITATION THE IMPLIED WARRANTIES OF MERCHANTABILITY AND FITNESS FOR A PARTICULAR PURPOSE. TO THE FULL EXTENT ALLOWED BY LAW, HAMMERTON EXCLUDES AND DISCLAIMS LIABILITY, WHETHER BASED IN CONTRACT OR TORT (INCLUDING NEGLIGENCE FOR ANY CONSEQUENTIAL, INDIRECT INCIDENTAL OR SPECIAL DAMAGES OF ANY NATURE ARISING OUT OF THE SALE INSTALLATION, MAINTENANCE, USE OR FAILURE OF THIS PRODUCT, EVEN IF HAMMERTON HAS BEEN ADVISED OF THE POSSIBILITY OF SUCH DAMAGES IN ADVANCE, AND HAMMERTON LIMITS ITS LIABILITY TO REPLACEMENT, REPAIR OR REFUND OF THE PURCHASE PRICE PAID, AT HAMMERTON'S OPTION.)

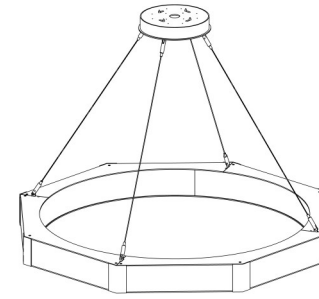
SOME STATES DO NOT ALLOW LIMITATIONS ON HOW LONG AN IMPLIED WARRANTY LASTS AND/OR DO NOT ALLOW THE EXCLUSION OR LIMITATION OF INCIDENTAL OR CONSEQUENTIAL DAMAGES, SO THE ABOVE LIMITATION ON IMPLIED WARRANTY AND INCIDENTAL OR CONSEQUENTIAL DAMAGES MAY NOT APPLY TO YOU. THIS WARRANTY GIVES YOU SPECIFIC LEGAL RIGHTS YOU MAY HAVE OTHER RIGHTS, WHICH VARY FROM STATE TO STATE

# HAMMERTONSTUDIO™

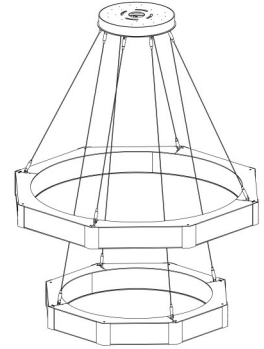
## Assembly Instructions

CHB0061-36, CHB0061-48

CHB0061-2B



EXAMPLE FIXTURE  
CHB0061-48



EXAMPLE FIXTURE  
CHB0061-2B

**WARNING: FAILURE TO INSTALL THIS FIXTURE PROPERLY MAY RESULT IN SERIOUS PERSONAL INJURY OR DEATH AND PROPERTY DAMAGE.**

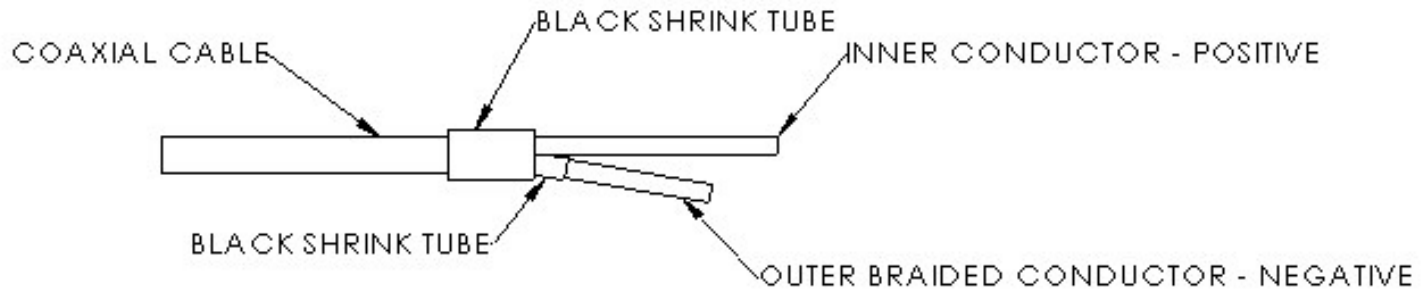
It is recommended that this product be installed by a licensed electrician.

41-001-00011

Rev 2

### WIRING INSTRUCTIONS

1. USE THE SAMPLE SECTION OF COAX CABLE PROVIDED TO USE AS AN EXAMPLE FOR CREATING WIRE CONNECTION IN THE CANOPY
2. WHEN STRIPPING THE CLEAR OUTER INSULATOR OF THE COAXIAL CABLE USE THE 14 GA POSITION OF THE STRIPPERS
3. USE THE BLACK SHRINK TUBE PROVIDED TO CREATE THE END CONDITION SHOWN IN THE DIAGRAM BELOW
4. EACH DRIVER CONNECTS TO A COAXIAL CABLE FROM FIXTURE



**DIAGRAM OF END CONDITION TO CREATE FOR WIRING DRIVERS INSIDE OF THE CANOPY.**

