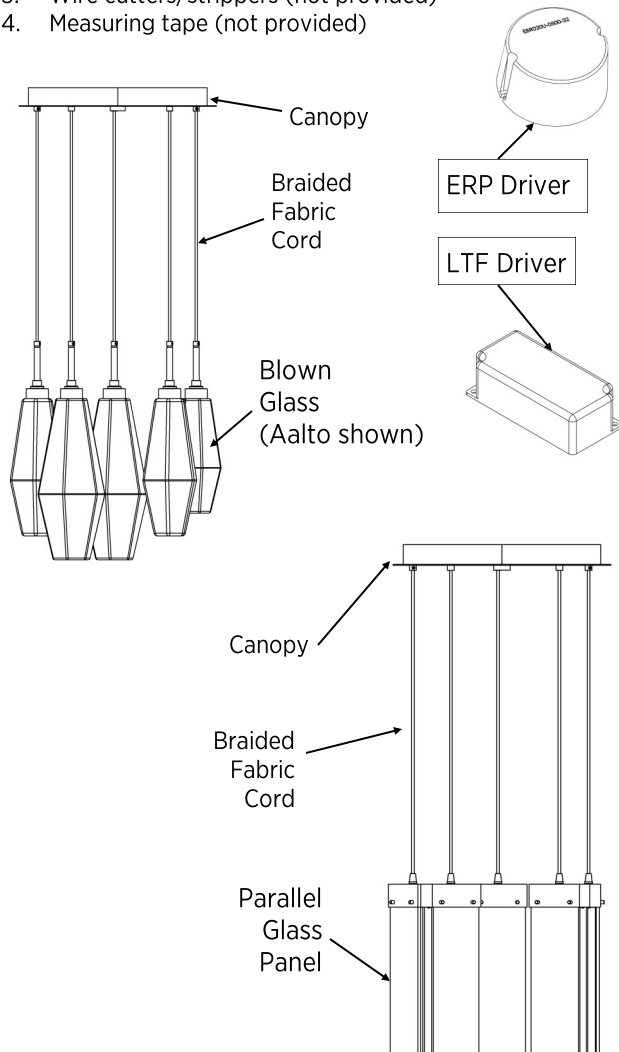


## Included Components

- Hardware Packet W, with Instructions
- Parallel Glass Panels (QTY:10) or Blown Glass (QTY:5)
- Canopy
- Braided Fabric Cord (QTY:5)
- Cord grip (QTY:5 — Attached to canopy)

## Required Tools

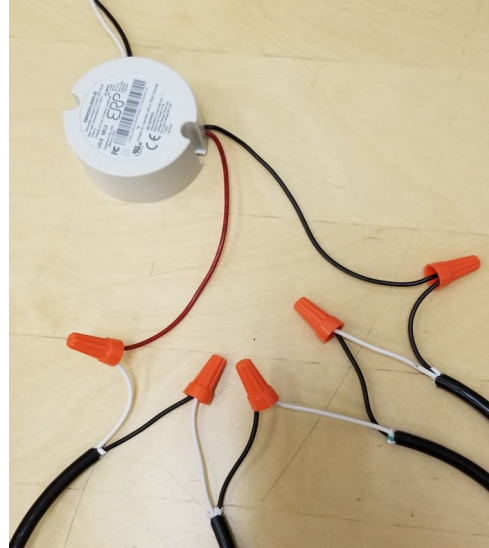
- Allen Key (provided)
- Philips screw driver (not provided)
- Wire cutters/strippers (not provided)
- Measuring tape (not provided)



## Assembly Instructions

**Step 1:** Remove the zip ties from the coiled cloth braided cords inside of the canopy. This should allow you to feed the cord out through the cord grips, and adjust the overall height of each pendant. Do not pull the cord so far as to stress the internal wiring.

**DO NOT REMOVE ANY PREINSTALLED WIRES**  
(FOR REFERENCE ONLY)



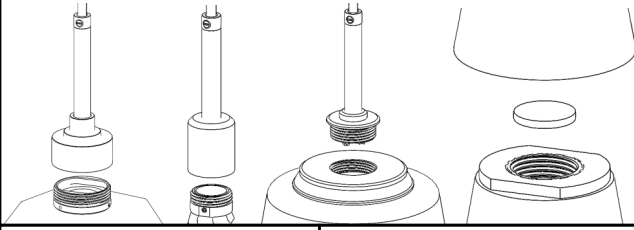
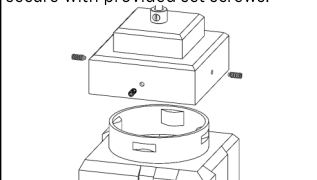
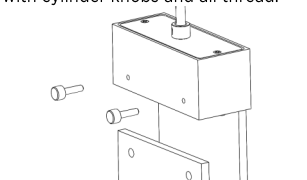
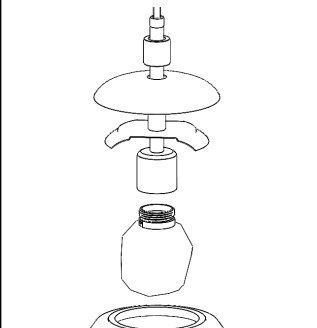
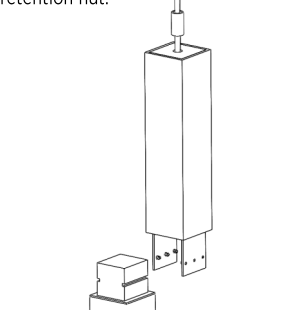
### WARNING

**DO NOT DIRECTLY CONNECT LEDs TO AC POWER.**  
LEDs will be damaged if exposed to high voltages. The LED's must be wired in series to work properly.

**Step 2:** Use a measuring tape to be sure that all of the light bodies are hanging the proper distance from the canopy. Tighten the cord grip set screws provided in the hardware pack into the cord grips using a flat blade screw driver. The cord grip is on the face of the canopy. **DO NOT OVERTIGHTEN. THIS MAY DAMAGE THE FIXTURE.**

**Step 3:** Mount the canopy to the ceiling using the provided **Mounting Instructions**

## Step 4: Attach glass to LED pendant housing

Gem, Rock Crystal, Aalto, Fiori, Blossom, Ice Fall, Gaia, Mesa, Vessel, and Raindrop	
1- Screw glass either into or onto threaded pendant housing. (Raindrop: Place diffuser inside glass before threading)	
	
<b>Ledgestone</b> 1- Insert glass into housing and secure with provided set screws.	<b>Parallel Glass</b> 1- Slide glass into housing and secure with cylinder knobs and all thread.
	
<b>Nebula</b> 1- Screw inner glass into socket. 2- Un-screw retention nut and lift top cap. 3- Slide outer glass over inner glass and retention plate and rest on plate. 4- Rotate glass so that the maximum surface area is in contact with retention plate. 5- Lower top cap and tighten retention nut.	<b>Axis</b> 1- Un-screw retention nut and lift top cap. 2- Align grooves and nylon mounts and slide glass in. 3- Lower top cap and tighten retention nut.
	
<b>For all Glass Retention</b> <b>Tighten till snug</b> <b>DO NOT overtighten</b>	

## About Hammerton Studio

### HAMMERTON STUDIO

When we introduced the Hammerton Studio brand in 2014, we saw an enormous opportunity to raise the bar in decorative lighting. In design, we wanted to lead rather than follow. In construction, we wanted to showcase Hammerton's renowned reverence for time-honored artisan craftsmanship and authentic materials. In performance, we wanted to provide highly reliable solutions that far exceeded industry norms for aesthetics, function, and quality. Based on the brand's dramatic growth and customer feedback, it's clear we are on the right track.

### EXTRAORDINARY DESIGN VALUE IN ARTISAN GLASS & METALWORK

Hammerton began in 1995 as a blacksmith shop, but we've come a long way since then. Today we employ a world class team of metal artisans who are disciplined in a broad range of fabrication techniques and processes. We've also added in-house capabilities in blown, cast and kiln-fused glass, and today Hammerton operates one of the largest artisan glass production facilities in the U.S. With deep design and fabrication expertise at the intersection of glass and metalwork, we're laying the foundation for a new era of lighting innovation.

### THE HAMMERTON HERITAGE

Our Hammerton Studio brand stands on the shoulders of more than a quarter century of experience pushing the boundaries of innovative custom lighting design. Each Hammerton Studio collection has been inspired by custom work our company has brought to life in collaboration with leading interior design professionals over the years. Built to your specifications, every fixture reflects the uncompromising design and attention to detail that is distinctly Hammerton.

### A REPUTATION REFLECTED BY OUR CLIENTS

Hammerton fixtures are as extraordinary as the clients who purchase them, including Forbes 400 members, Fortune 500 leaders, award-winning entertainers, fashion and interior designers, sports legends, and leading luxury hospitality brands.

Hammerton Inc.  
217 Wright Brothers Drive  
Salt Lake City, UT 84116

801-973-8095 EXT: 4  
[www.hammerton.com](http://www.hammerton.com)

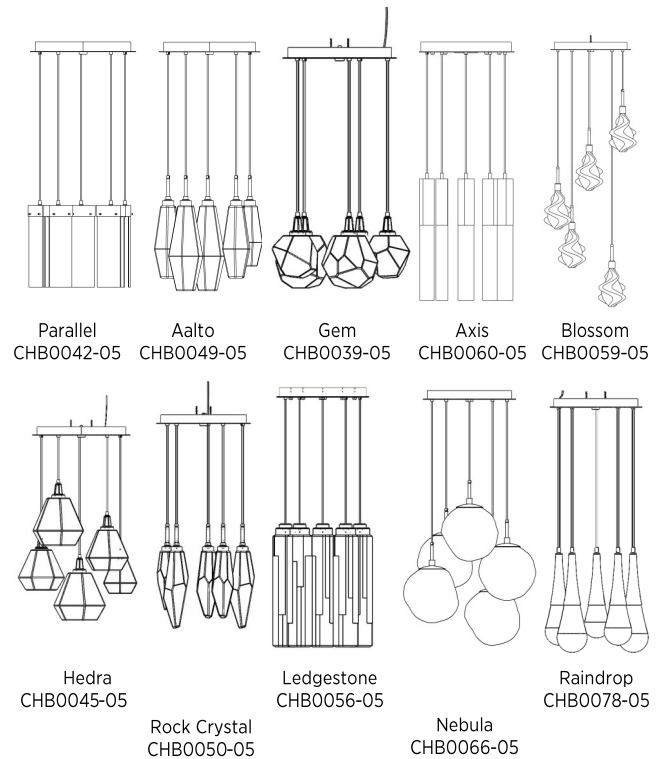
## Warranty

Please visit <https://studio.hammerton.com/lifetime-limited-warranty/> to view the Hammerton Studio Warranty Policy.

# HAMMERTON STUDIO™

## Assembly Instructions

CHB0039-05, CHB0042-05, CHB0045-05,  
CHB0049-05, CHB0050-05, CHB0056-05,  
CHB0060-05, CHB0059-05, CHB0066-05,  
CHB0067-05, CHB0068-05, CHB0069-05,  
CHB0078-05, CHB0107-5



**WARNING: FAILURE TO INSTALL THIS  
FIXTURE PROPERLY MAY RESULT IN  
SERIOUS PERSONAL INJURY OR DEATH  
AND PROPERTY DAMAGE.**

It is recommended that this product be installed by a licensed electrician who is familiar with proper LED installation and electrical loads.

41-001-00022  
Rev 13