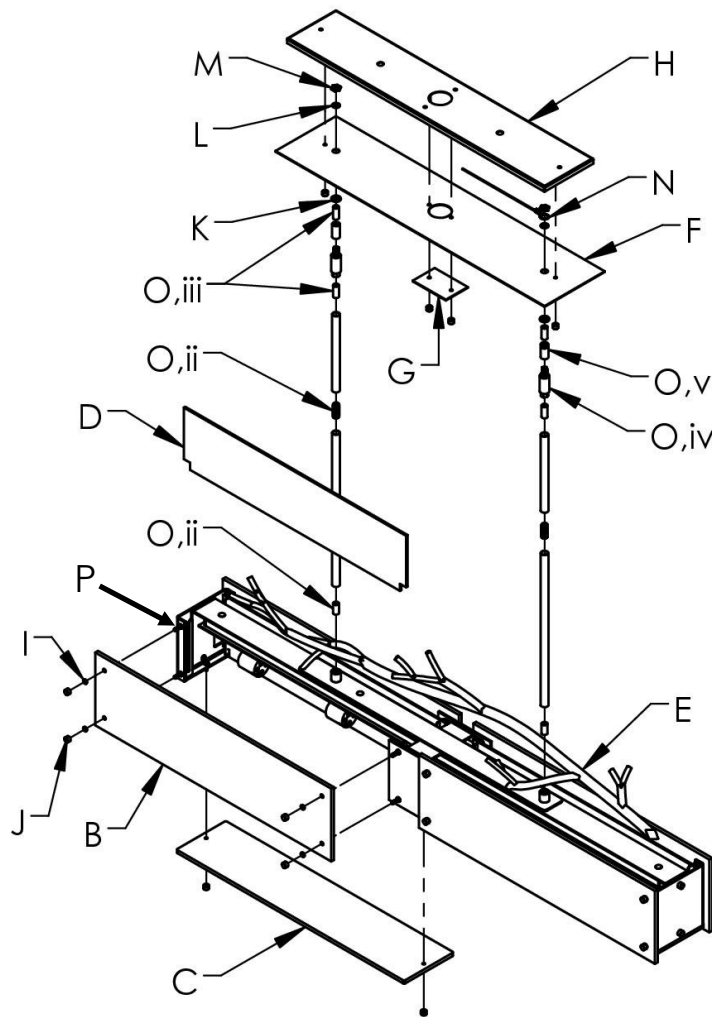


Included Components

- A. Mounting packet X (Not Shown)
- B. Glass panels (qty:4) or (qty.6)
- C. Bottom Diffusers (qty:2) or (qty.3)
- D. Side Diffusers (qty:4) or (qty.6)
- E. Light Fixture Body
- F. Canopy face plate
- G. Wire access cover
- H. Canopy back plate
- I. Silicone washers (qty:32) or (qty.48)
- J. Cylinder knobs (qty:24) OR (qty.38)
- K. Check Rings (qty:2)
- L. Lock Washers (qty:2)
- M. IP Nuts (qty:2)
- N. Ground Lug
- O. Threaded Rod Assembly (qty:2)
 - i. Threaded Rods (Standard Set— 3", 6", 12", 12", 24")
 - ii. 1" IPs (qty:5)
 - iii. 7/8" IP (qty:2)
 - iv. 90 Degree Swivel
 - v. 1" Long Straight Coupler
- P. Flush Mount Nut (qty:16) or (qty:24)

Required Tools

1. Philips screw driver (not provided)
2. Wire cutters/strippers (not provided)

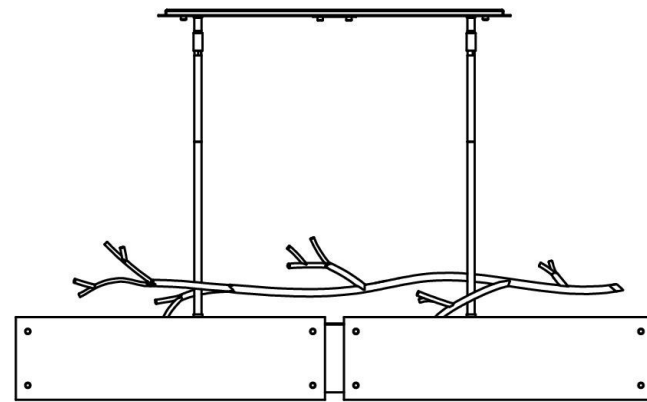


EXAMPLE: PLB0032-0A

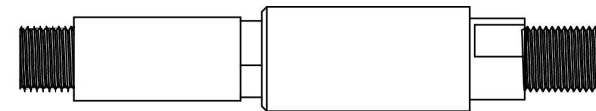
Assembly Instructions

Step 1: Test Fit Threaded Rods with Light Fixture and Canopy to determine Threaded Rod configuration to reach desired overall height. The wire will need to pass through the rods into the canopy.

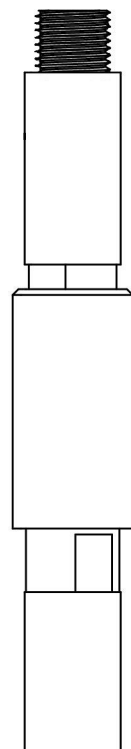
Note: The two shorter IPs (7/8") are used with the 90 degree swivel and 1" Straight Coupler.
NOT BETWEEN THREADED RODS.



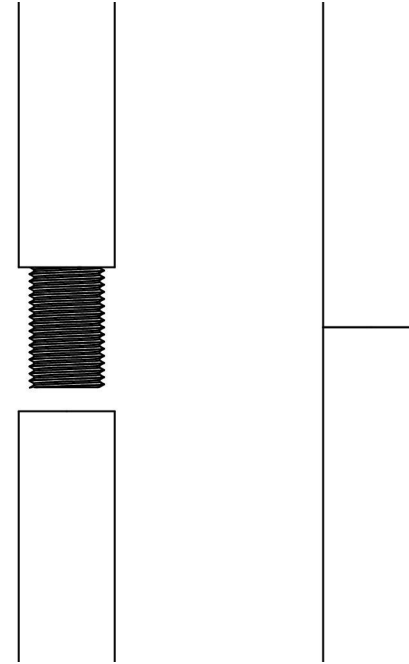
Step 2: Apply Loctite to the Male threads of the 90 degree swivel and thread that into the 1" Straight Coupler until bottomed out. Then apply Loctite to both 7/8" long IPs and thread them into both the 90 Degree Swivel and the Straight coupler until the IPs Bottom out.



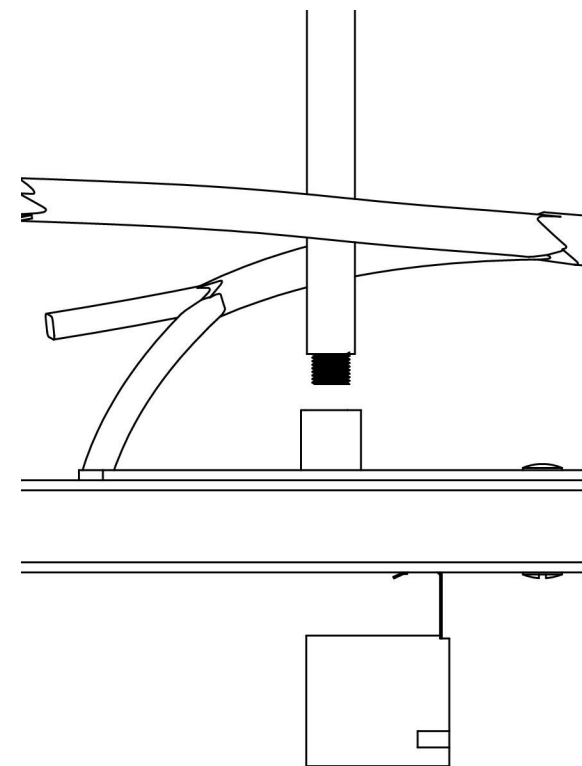
Step 3: Apply Loctite to the IP inserted into the 90 Degree Swivel. Screw the top rod onto the IP until it bottoms out against the 90 Degree Swivel.



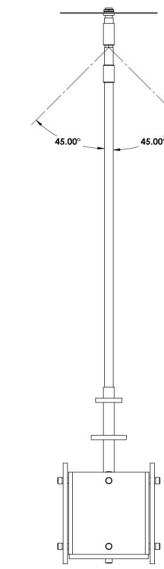
Step 4: Apply Loctite to one side of each IP used with the Threaded Rods. Screw them into the rod until it bottoms out. Then apply Loctite to the other side and screw the second rod on until it bottoms out with the other rod.



Step 5: Before applying the Loctite on the last IP push the Wires from the Fixture through the whole Threaded Rod Assembly. Then apply Loctite to the last IP and screw it into the Coupler attached to the Light Fixture.



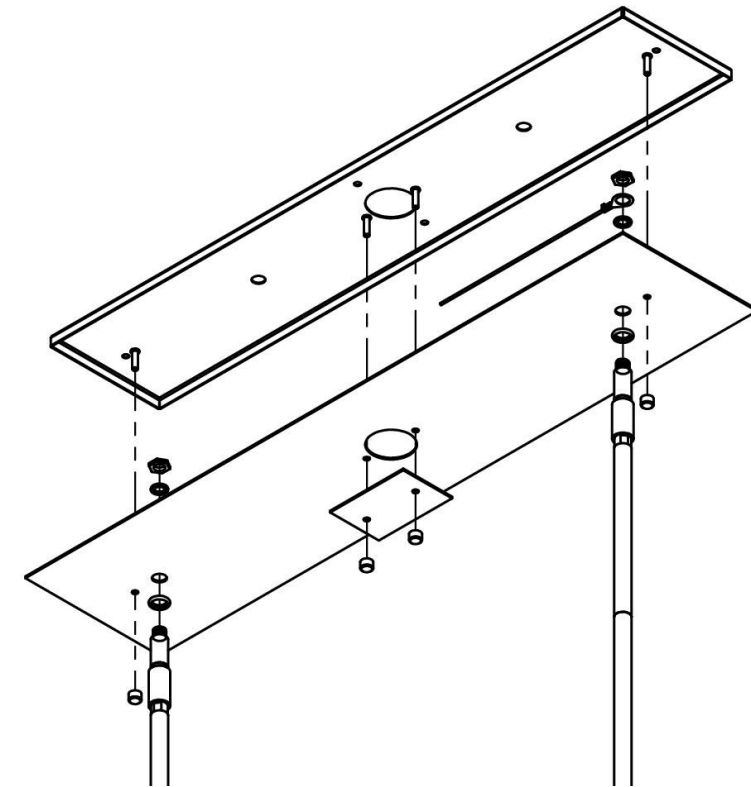
Step 6: Mount the canopy back plate to the ceiling and J-box following the included Mounting Instructions.



Step 7: Rotate the 90 Degree Swivels using the Flats by the Threaded Rods. The 90 degree Swivels should be lined up so that the light can be mounted on a ceiling that slopes perpendicular to the length of the light fixture.

THE GLASS SHOULD NOT BE INSTALLED UNTIL AFTER THE FIXTURE IS FULLY INSTALLED.
Your fixture can be mounted on a sloped ceiling but only in the direction perpendicular to the long direction of the light bar. Slope mount only up to 45°.

Step 8: Attach the Canopy Face plate to the Rods by first placing the Check Rings, Face plate, and Lock Washers over the Rods. Place the Ground Lug over the rod that has the wire passing through it. Tighten the IP nuts ensuring that the Swivel does not rotate out of alignment. Pass the wires through the hole in the center of the Face plate.



Step 9: Attach the Fixture to the mounted Canopy Back plate by threading the cylinder knobs on the studs protruding from the back plate.

Step 10: Connect the wiring from the fixture to the junction box trimming back any unneeded wiring. Attach Wire Access Cover using cylinder knobs.

Step 11: Slide Side Diffusers into the fixture from the top. Install the appropriate lamping first and then attach the Bottom Diffusers by threading cylinder knobs onto the protruding threads. then attach the glass panels by threading the cylinder knobs onto the protruding threads, Silicone Washers should be on both sides of the Glass. Do not over tighten.

HAMMERTON STUDIO

When we introduced the Hammerton Studio brand in 2014, we saw an enormous opportunity to raise the bar in decorative lighting. In design, we wanted to lead rather than follow. In construction, we wanted to showcase Hammerton's renowned reverence for time-honored artisan craftsmanship and authentic materials. In performance, we wanted to provide highly reliable solutions that far exceeded industry norms for aesthetics, function, and quality. Based on the brand's dramatic growth and customer feedback, it's clear we are on the right track.

EXTRAORDINARY DESIGN VALUE IN ARTISAN GLASS & METALWORK

Hammerton began in 1995 as a blacksmith shop, but we've come a long way since then. Today we employ a world class team of metal artisans who are disciplined in a broad range of fabrication techniques and processes. We've also added in-house capabilities in blown, cast and kiln-fused glass, and today Hammerton operates one of the largest artisan glass production facilities in the U.S. With deep design and fabrication expertise at the intersection of glass and metalwork, we're laying the foundation for a new era of lighting innovation.

THE HAMMERTON HERITAGE

Our Hammerton Studio brand stands on the shoulders of more than a quarter century of experience pushing the boundaries of innovative custom lighting design. Each Hammerton Studio collection has been inspired by custom work our company has brought to life in collaboration with leading interior design professionals over the years. Built to your specifications, every fixture reflects the uncompromising design and attention to detail that is distinctly Hammerton.

A REPUTATION REFLECTED BY OUR CLIENTS

Hammerton fixtures are as extraordinary as the clients who purchase them, including Forbes 400 members, Fortune 500 leaders, award-winning entertainers, fashion and interior designers, sports legends, and leading luxury hospitality brands.

Hammerton Inc.
217 Wright Brothers Drive
Salt Lake City, UT 84116

801-973-8095 EXT: 4
www.hammerton.com

ONE YEAR LIMITED WARRANTY

Hammerton, Inc. (Hammerton) warrants the original owner that this product will be free of defects in material or workmanship for the period of one year from the date of original purchase from Hammerton, if (i) the allegedly defective product has not been abused, misused or improperly maintained and or repaired during the warranty period, (ii) the defect is not caused by water damage/flooding, fire, explosion, earthquakes or similar phenomenon, and (iii) the defect is not caused by improper installation (unless installed by Hammerton).

In order to obtain warranty service, the user must first complete a warranty claims form. Hammerton will determine if the product will be inspected on site or returned to Hammerton. If after the inspection Hammerton finds that the product is defective as claimed, Hammerton will, at its option, repair or replace the product free of charge, or Hammerton may also agree to outsource necessary repair work locally using local contracted labor. Prior to any outsourcing of repair work regarding this fixture, a Work Authorization Form must be signed by both the client and Hammerton Representative. Failure to do so may result in a denial of reimbursement. Hammerton warrants any replaced or repaired products for ninety days after shipment or through the end of the original warranty period, whichever is longer. All products or parts that are replaced become the property of Hammerton.

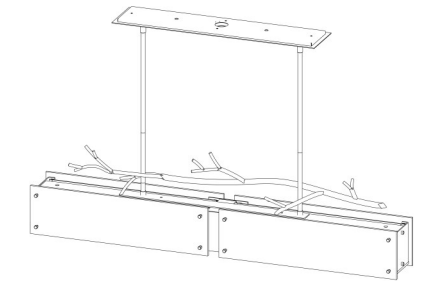
No representative or employee of Hammerton is authorized to make any modification or addition to this limited warranty.

TO THE FULL EXTENT ALLOWED BY LAW, THE FOREGOING WARRANTY AND REMEDIES ARE EXCLUSIVE, AND HAMMERTON EXPRESSLY DISCLAIMS ALL OTHER WARRANTIES, EXPRESSED OR IMPLIED, INCLUDING WITHOUT LIMITATION THE IMPLIED WARRANTIES OF MERCHANTABILITY AND FITNESS FOR A PARTICULAR PURPOSE. TO THE FULL EXTENT ALLOWED BY LAW, HAMMERTON EXCLUDES AND DISCLAIMS LIABILITY, WHETHER BASED IN CONTRACT OR TORT (INCLUDING NEGLIGENCE FOR ANY CONSEQUENTIAL, INDIRECT INCIDENTAL OR SPECIAL DAMAGES OF ANY NATURE ARISING OUT OF THE SALE INSTALLATION, MAINTENANCE, USE OR FAILURE OF THIS PRODUCT, EVEN IF HAMMERTON HAS BEEN ADVISED OF THE POSSIBILITY OF SUCH DAMAGES IN ADVANCE, AND HAMMERTON LIMITS ITS LIABILITY TO REPLACEMENT, REPAIR OR REFUND OF THE PURCHASE PRICE PAID, AT HAMMERTON'S OPTION.)

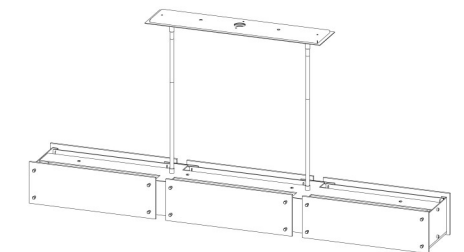
SOME STATES DO NOT ALLOW LIMITATIONS ON HOW LONG AN IMPLIED WARRANTY LASTS AND/OR DO NOT ALLOW THE EXCLUSION OR LIMITATION OF INCIDENTAL OR CONSEQUENTIAL DAMAGES, SO THE ABOVE LIMITATION ON IMPLIED WARRANTY AND INCIDENTAL OR CONSEQUENTIAL DAMAGES MAY NOT APPLY TO YOU. THIS WARRANTY GIVES YOU SPECIFIC LEGAL RIGHTS YOU MAY HAVE OTHER RIGHTS, WHICH VARY FROM STATE TO STATE

Assembly Instructions

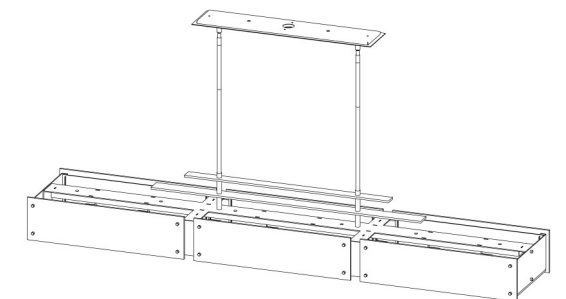
For Ironwood, Urban Loft, and Textured Glass Linear Suspension Dinning Lights



EXAMPLE: PLB0032-0A



EXAMPLE: PLB0044-56



EXAMPLE: PLB0026-0F

WARNING: FAILURE TO INSTALL THIS FIXTURE PROPERLY MAY RESULT IN SERIOUS PERSONAL INJURY OR DEATH AND PROPERTY DAMAGE.

WARNING: MUST USE MANUFACTURER SPECIFIED BULB. USING ANY OTHER TYPE OR WATTAGE BULB MAY CAUSE DAMAGE TO THE FIXTURE AND CREATE A POTENTIAL FIRE HAZARD.

It is recommended that this product be installed by a licensed electrician.