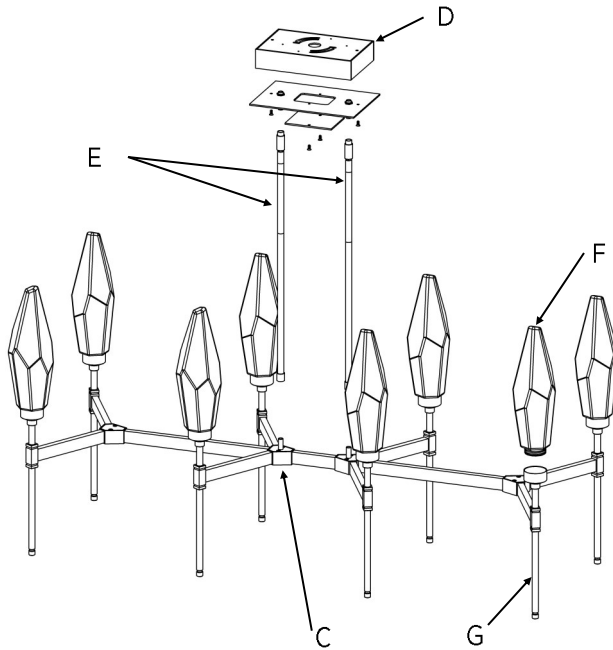


## Included Components

- A. Hardware Packet X, with Instructions (Not Shown)
- B. Threaded Rod Instructions (Not Shown)
- C. Fixture Body
- D. Canopy
- E. Threaded Rod Set (2)
- F. Blown Glass with Retention Collar (8)
- G. Motif Stem (8)

## Required Tools

- 1. Flat Head screw driver (not provided)
- 2. Wire cutters/strippers (not provided)



EXAMPLE FIXTURE  
PLB0050-48

## Assembly Instructions

**Step 1:** Remove canopy face plate and cover plate and mount canopy to ceiling using the provided hardware packet.

**Step 2:** Make wire connections from drivers to source power, **Black to Black** and **White to White**.

**Step 3:** Using the provided **Threaded Rod Instructions**, assemble the light with the desired OAH. Locktite must be used on the threaded rods before final install.

**Step 4:** Hang fixture by securing the faceplate to canopy with provided flat head screws.

**Step 5:** Make wire connections from the fixture to the LED driver. Wire connections must be made by connecting **Red to Red** and **Black to Black**.

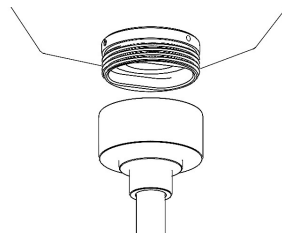
**WARNING: DO NOT CONNECT FIXTURE DIRECTLY TO SOURCE POWER OR THE LED WILL BE DAMAGED.**

**Step 6:** Replace canopy cover plate after making wire connections.

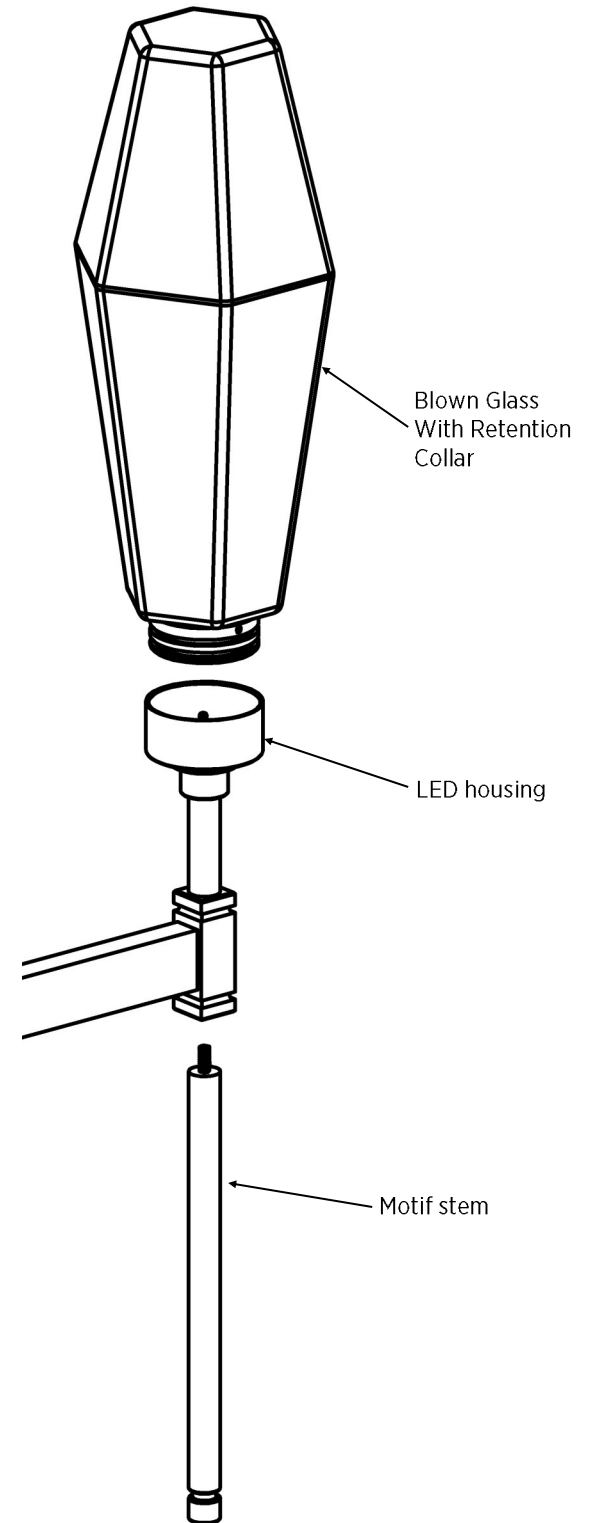
**Step 7:** Screw the motif stems into the fixture body.

**Step 8:** Attach glass to LED housings. Screw glass into LED housing.

**NOTE: Install glass one at a time, ensuring fixture remains balanced. TWO INDIVIDUALS ARE HIGHLY RECOMMENDED FOR GLASS INSTALLATION.**



Tighten till snug  
**DO NOT** overtighten



## About Hammerton Studio

---

### HAMMERTON STUDIO

When we introduced the Hammerton Studio brand in 2014, we saw an enormous opportunity to raise the bar in decorative lighting. In design, we wanted to lead rather than follow. In construction, we wanted to showcase Hammerton's renowned reverence for time-honored artisan craftsmanship and authentic materials. In performance, we wanted to provide highly reliable solutions that far exceeded industry norms for aesthetics, function, and quality. Based on the brand's dramatic growth and customer feedback, it's clear we are on the right track.

### EXTRAORDINARY DESIGN VALUE IN ARTISAN GLASS & METALWORK

Hammerton began in 1995 as a blacksmith shop, but we've come a long way since then. Today we employ a world class team of metal artisans who are disciplined in a broad range of fabrication techniques and processes. We've also added in-house capabilities in blown, cast and kiln-fused glass, and today Hammerton operates one of the largest artisan glass production facilities in the U.S. With deep design and fabrication expertise at the intersection of glass and metalwork, we're laying the foundation for a new era of lighting innovation.

### THE HAMMERTON HERITAGE

Our Hammerton Studio brand stands on the shoulders of more than a quarter century of experience pushing the boundaries of innovative custom lighting design. Each Hammerton Studio collection has been inspired by custom work our company has brought to life in collaboration with leading interior design professionals over the years. Built to your specifications, every fixture reflects the uncompromising design and attention to detail that is distinctly Hammerton.

### A REPUTATION REFLECTED BY OUR CLIENTS

Hammerton fixtures are as extraordinary as the clients who purchase them, including Forbes 400 members, Fortune 500 leaders, award-winning entertainers, fashion and interior designers, sports legends, and leading luxury hospitality brands.

Hammerton Inc.  
217 Wright Brothers Drive  
Salt Lake City, UT 84116

801-973-8095  
info@hammerton.com  
[www.hammerton.com](http://www.hammerton.com)

## Warranty

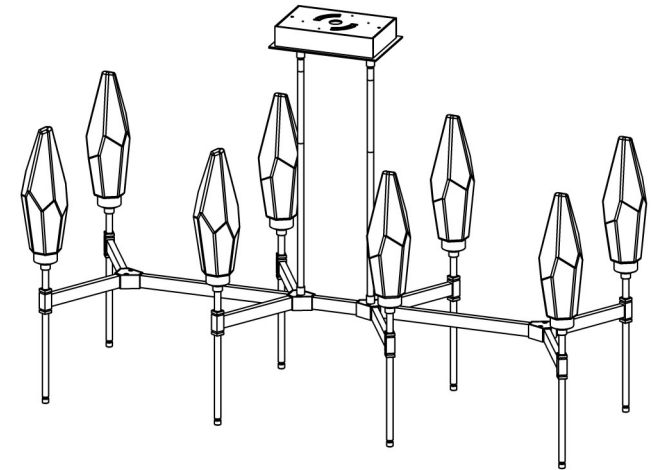
---

Please visit <https://studio.hammerton.com/lifetime-limited-warranty/> to view the Hammerton Studio Warranty Policy.

# HAMMERTONSTUDIO™

## Assembly Instructions

PLB0050-67, PLB0050-48,  
PLB0049-67, PLB0049-48,  
PLB0045-69, PLB0045-50,  
PLB0039-69, PLB0039-50



EXAMPLE FIXTURE  
PLB0050-48

**WARNING:** FAILURE TO INSTALL THIS  
FIXTURE PROPERLY MAY RESULT IN  
SERIOUS PERSONAL INJURY OR DEATH  
AND PROPERTY DAMAGE.

It is recommended that this product be installed  
by a licensed electrician.

41-001-00110  
Rev 3