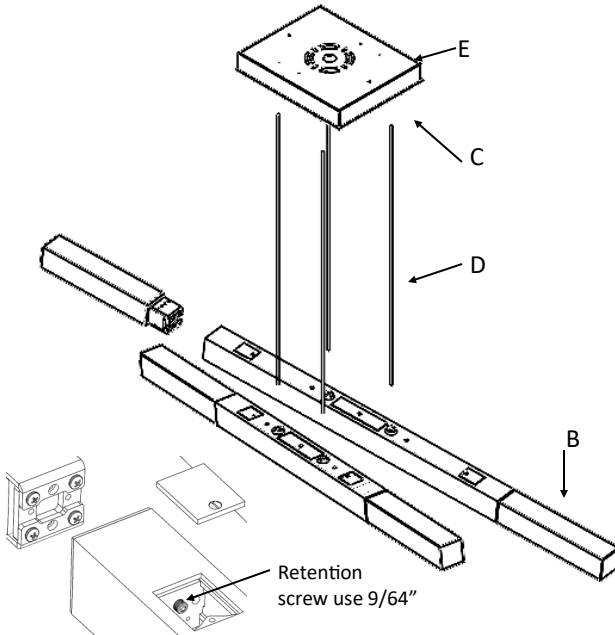


Included Components

- Hardware Packet T, with Instructions (Not Shown)
- Axis Cast Glass QTY: 4
- Cable Grippers QTY: 4
- Cable QTY: 4
- Canopy with cover plates and LED drivers Installed

Required Tools

- 9/64" Allen Hex Key (Provided)
- Flat Head and Phillips screw driver (not provided)
- Wire cutters/strippers (not provided)
- Measuring Tape (not provided)



Fixture Glass Install Instructions

- Step 1:** Install Aluminum Glass Bracket as shown above with Silicon washer properly seated.
- Step 2:** Remove small access panel on fixture body using slotted drive screw driver. This will expose the glass retention screw.
- Step 3:** Orient glass as shown, so aluminum faces of glass bracket are facing up and down. Threaded hole on glass bracket will be aligned with retention screw when properly oriented.
- Step 4:** Insert Glass assembly into end of Fixture Body Tube. Look through Access panel to align retention screw and thread into hole on glass bracket.
- Step 5:** Tighten retention screw with provided 9/64" Allen key so glass is secure and hanging straight.

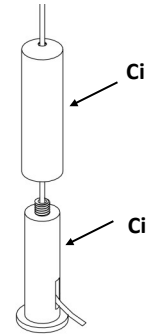
Assembly Instructions

Step 1: Remove Canopy cover plate from the faceplate by removing two 4-40 flat head screws using Phillips head screw driver. Mount Canopy (E) to ceiling using the appropriate

Step 2: Make Electrical Connections from the building to the Drivers inside of Canopy using the wire nuts provided. Replace Cover plate.

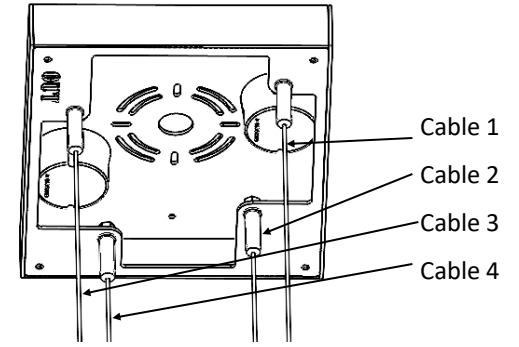
Step 3: Cables (D) and Cable Grippers (C) are marked by a numbered tag. Each Cable (D) will be inserted into the Cable Gripper (C) marked with the same number.

Step 4: After locating the corresponding Cable (D) and Cable gripper (C), unscrew the Cable Gripper Cap (Ci). Thread the Cable (D) through the Cap (Ci) and into the Gripper Body (Cii). Adjust fixture height by pushing or pulling Cable through Gripper Body while depressing threaded plunger at top of Gripper.



CAUTION: CABLES ARE CONDUCTIVE. DO NOT POWER FIXTURE WHILE CABLES ARE IN CONTACT WITH ANY CONDUCTIVE SURFACE. THIS INCLUDES HAVING THE CABLE PROTRUDE THROUGH THE GRIPPER AND TOUCH THE BODY OF THE LIGHT FIXTURE.

Step 5: Use a measuring tape and level to ensure the fixture is hanging at the desired distance from the Canopy. Reference table 1 for the recommended cable lengths for the fixture. When desired height is attained cut excess Cable flush with Gripper Body. Thread Cable Gripper Cap back onto Body.



Set cable 1 at the height you want the fixture at, then size the rest of the cables based on the offset from the table.

Table 1

Tier	Cable	Offset (Exact)	Offset (Fraction)
Medium	1	0	0
Medium	2	-.631	-5/8
Small	3	+.269	+1/4
Small	4	+1.069	+1 1/16

HAMMERTON STUDIO

When we introduced the Hammerton Studio brand in 2014, we saw an enormous opportunity to raise the bar in decorative lighting. In design, we wanted to lead rather than follow. In construction, we wanted to showcase Hammerton's renowned reverence for time-honored artisan craftsmanship and authentic materials. In performance, we wanted to provide highly reliable solutions that far exceeded industry norms for aesthetics, function, and quality. Based on the brand's dramatic growth and customer feedback, it's clear we are on the right track.

EXTRAORDINARY DESIGN VALUE IN ARTISAN GLASS & METALWORK

Hammerton began in 1995 as a blacksmith shop, but we've come a long way since then. Today we employ a world class team of metal artisans who are disciplined in a broad range of fabrication techniques and processes. We've also added in-house capabilities in blown, cast and kiln-fused glass, and today Hammerton operates one of the largest artisan glass production facilities in the U.S. With deep design and fabrication expertise at the intersection of glass and metalwork, we're laying the foundation for a new era of lighting innovation.

THE HAMMERTON HERITAGE

Our Hammerton Studio brand stands on the shoulders of more than a quarter century of experience pushing the boundaries of innovative custom lighting design. Each Hammerton Studio collection has been inspired by custom work our company has brought to life in collaboration with leading interior design professionals over the years. Built to your specifications, every fixture reflects the uncompromising design and attention to detail that is distinctly Hammerton.

A REPUTATION REFLECTED BY OUR CLIENTS

Hammerton fixtures are as extraordinary as the clients who purchase them, including Forbes 400 members, Fortune 500 leaders, award-winning entertainers, fashion and interior designers, sports legends, and leading luxury hospitality brands.

Hammerton Inc.
217 Wright Brothers Drive
Salt Lake City, UT 84116

801-973-8095
info@hammerton.com
www.hammerton.com

ONE YEAR LIMITED WARRANTY

Hammerton, Inc. (Hammerton) warrants the original owner that this product will be free of defects in material or workmanship for the period of one year from the date of original purchase from Hammerton, if (i) the allegedly defective product has not been abused, misused or improperly maintained and or repaired during the warranty period, (ii) the defect is not caused by water damage/flooding, fire, explosion, earthquakes or similar phenomenon, and (iii) the defect is not caused by improper installation (unless installed by Hammerton).

In order to obtain warranty service, the user must first complete a warranty claims form. Hammerton will determine if the product will be inspected on site or returned to Hammerton. If after the inspection Hammerton finds that the product is defective as claimed, Hammerton will, at its option, repair or replace the product free of charge, or Hammerton may also agree to outsource necessary repair work locally using local contracted labor. Prior to any outsourcing of repair work regarding this fixture, a Work Authorization Form must be signed by both the client and Hammerton Representative. Failure to do so may result in a denial of reimbursement. Hammerton warrants any replaced or repaired products for ninety days after shipment or through the end of the original warranty period, whichever is longer. All products or parts that are replaced become the property of Hammerton.

No representative or employee of Hammerton is authorized to make any modification or addition to this limited warranty.

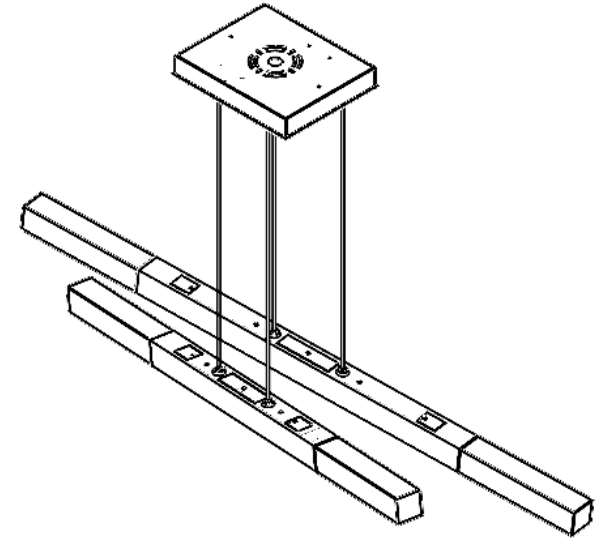
TO THE FULL EXTENT ALLOWED BY LAW, THE FOREGOING WARRANTY AND REMEDIES ARE EXCLUSIVE, AND HAMMERTON EXPRESSLY DISCLAIMS ALL OTHER WARRANTIES, EXPRESSED OR IMPLIED, INCLUDING WITHOUT LIMITATION THE IMPLIED WARRANTIES OF MERCHANTABILITY AND FITNESS FOR A PARTICULAR PURPOSE. TO THE FULL EXTENT ALLOWED BY LAW, HAMMERTON EXCLUDES AND DISCLAIMS LIABILITY, WHETHER BASED IN CONTRACT OR TORT (INCLUDING NEGLIGENCE FOR ANY CONSEQUENTIAL, INDIRECT INCIDENTAL OR SPECIAL DAMAGES OF ANY NATURE ARISING OUT OF THE SALE INSTALLATION, MAINTENANCE, USE OR FAILURE OF THIS PRODUCT, EVEN IF HAMMERTON HAS BEEN ADVISED OF THE POSSIBILITY OF SUCH DAMAGES IN ADVANCE, AND HAMMERTON LIMITS ITS LIABILITY TO REPLACEMENT, REPAIR OR REFUND OF THE PURCHASE PRICE PAID, AT HAMMERTON'S OPTION.)

SOME STATES DO NOT ALLOW LIMITATIONS ON HOW LONG AN IMPLIED WARRANTY LASTS AND/OR DO NOT ALLOW THE EXCLUSION OR LIMITATION OF INCIDENTAL OR CONSEQUENTIAL DAMAGES, SO THE ABOVE LIMITATION ON IMPLIED WARRANTY AND INCIDENTAL OR CONSEQUENTIAL DAMAGES MAY NOT APPLY TO YOU. THIS WARRANTY GIVES YOU SPECIFIC LEGAL RIGHTS YOU MAY HAVE OTHER RIGHTS, WHICH VARY FROM STATE TO STATE

HAMMERTONSTUDIO™

Assembly Instructions

PLB0060-2T



EXAMPLE FIXTURE
PLB0060-2T

WARNING: FAILURE TO INSTALL THIS FIXTURE PROPERLY MAY RESULT IN SERIOUS PERSONAL INJURY OR DEATH AND PROPERTY DAMAGE.

It is recommended that this product be installed by a licensed electrician.