

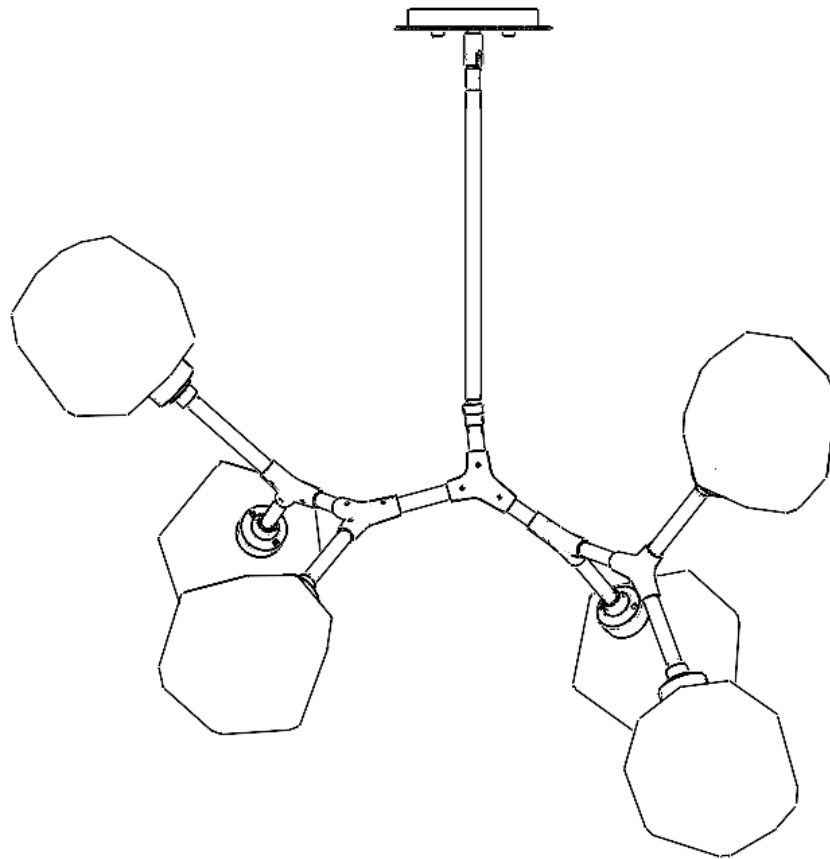
# HAMMERTONSTUDIO™

## Installation Instructions

### Branch Chandelier



SCAN FOR VIDEO  
INSTRUCTIONS



Example Fixture

**WARNING: FAILURE TO INSTALL THIS FIXTURE PROPERLY MAY RESULT IN SERIOUS PERSONAL INJURY OR DEATH AND PROPERTY DAMAGE.**

It is recommended that this product be installed by a licensed electrician who is familiar with proper LED installation and electrical loads.

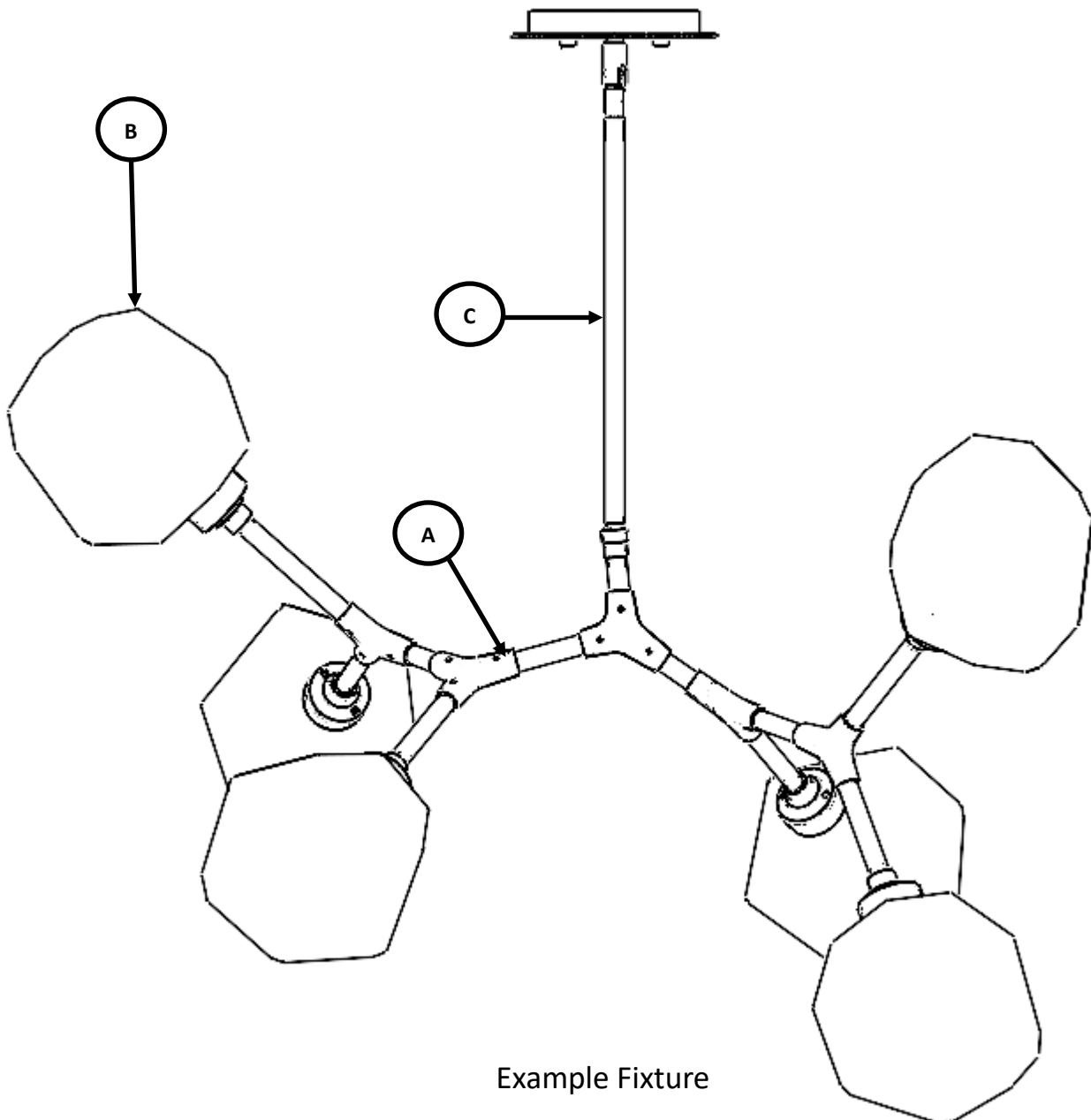
41-001-00213  
Rev 1

## Included Components

- A. Fixture
- B. Artisan glass
- C. Adjustable threaded rods
- D. Hardware pack (not shown)

## Required Tools

1. Philips screw driver
2. Wire cutters/strippers
3. Measuring tape
4. 1/16" Allen key (provided)



Example Fixture

# ASSEMBLY

## Step 1

- **TURN OFF POWER TO JUNCTION BOX TO BE USED FOR INSTALLATION.**

## Step 2

- Connect **WHITE** wire from LED Driver to **WHITE** wire from power source inside J-Box.
- Repeat for **BLACK** wires.

### **WARNING**

**BLACK AND RED WIRES FROM LED DRIVER ARE FOR DC CURRENT ONLY. IF THESE WIRES OR LED PENDANTS ARE CONNECTED TO AC POWER THE FIXTURE WILL BE DAMAGED.**

## Step 3

- Assemble threaded rods to desired length by following provided rod assembly instructions.

## Step 4

- Attach one end of threaded rod assembly to the swivel mounted on the light body.  
(Feed exposed wires through rods)

## Step 5

- Connect other end of the threaded rod to the canopy by gently rotating rods and fixture as one piece.  
(Feed exposed wires through swivel)

## Step 6

- Mount canopy to J-Box by following provided mounting instructions.
- Connect **RED** wire from fixture to **RED** wire of LED driver.
- Repeat for **BLACK** wires.

## Step 7

- Adjust fixture to desired look using provided Allen key.
- Ensure set screw is seated down in dimple for secure fit.



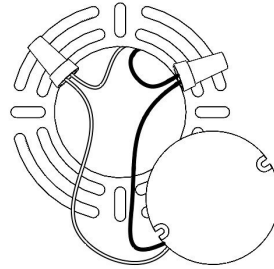
### **WARNING**

**DO NOT ROTATE PAST 90 DEGREES OF ORIGINAL POSITION. ENSURE SET SCREW IS SNUG AND SEATED PROPERLY AFTER ADJUSTMENT.**

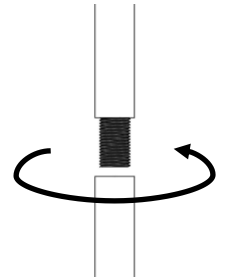
## Step 8

- Attach glass using the following page.

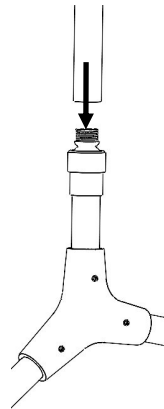
## Step 2



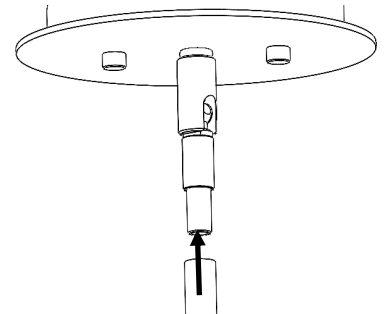
## Step 3



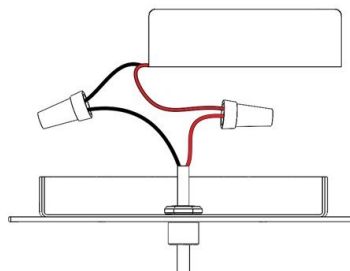
## Step 4



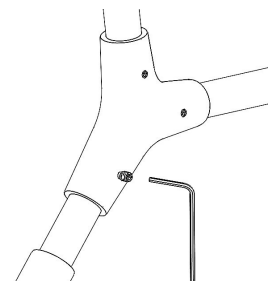
## Step 5



## Step 6

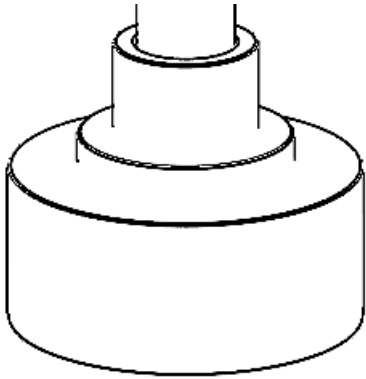


## Step 7



# GLASS

## GLASS HOUSING



## INCLUDED COMPONENTS

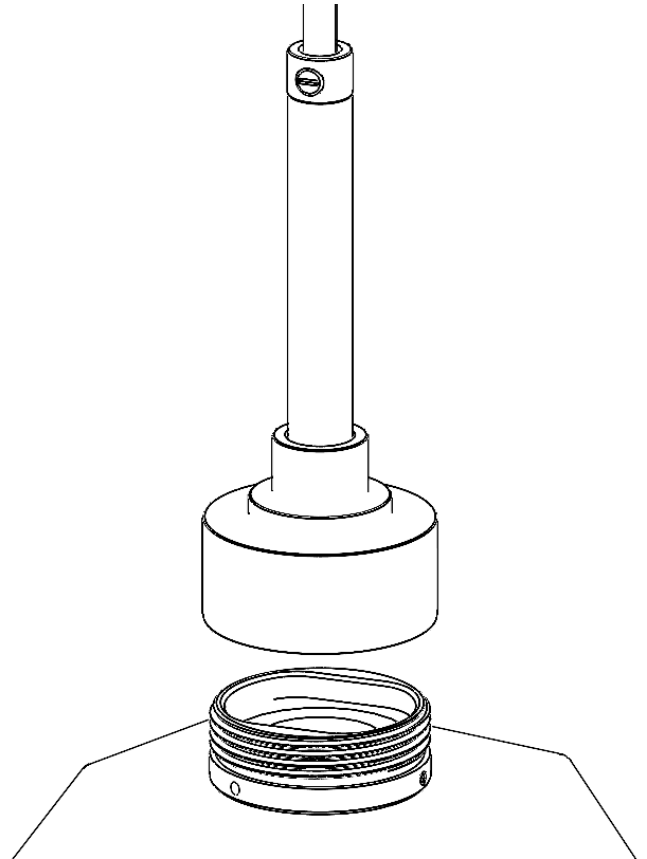
Blown Glass

**WARNING: FAILURE TO INSTALL THIS FIXTURE PROPERLY MAY RESULT IN SERIOUS PERSONAL INJURY OR DEATH AND PROPERTY DAMAGE.**

It is recommended that this product be installed by a licensed electrician who is familiar with proper LED installation and electrical loads.

## Step 1

- Screw Glass into housing.



# Warranty

---

Please visit <https://studio.hammerton.com/lifetime-limited-warranty/> to view the Hammerton Studio Warranty Policy.

# About Hammerton Studio

---

## HAMMERTON STUDIO

When we introduced the Hammerton Studio brand in 2014, we saw an enormous opportunity to raise the bar in decorative lighting. In design, we wanted to lead rather than follow. In construction, we wanted to showcase Hammerton's renowned reverence for time-honored artisan craftsmanship and authentic materials. In performance, we wanted to provide highly reliable solutions that far exceeded industry norms for aesthetics, function, and quality. Based on the brand's dramatic growth and customer feedback, it's clear we are on the right track.

## EXTRAORDINARY DESIGN VALUE IN ARTISAN GLASS & METALWORK

Hammerton began in 1995 as a blacksmith shop, but we've come a long way since then. Today we employ a world class team of metal artisans who are disciplined in a broad range of fabrication techniques and processes. We've also added in-house capabilities in blown, cast and kiln-fused glass, and today Hammerton operates one of the largest artisan glass production facilities in the U.S. With deep design and fabrication expertise at the intersection of glass and metalwork, we're laying the foundation for a new era of lighting innovation.

## THE HAMMERTON HERITAGE

Our Hammerton Studio brand stands on the shoulders of more than a quarter century of experience pushing the boundaries of innovative custom lighting design. Each Hammerton Studio collection has been inspired by custom work our company has brought to life in collaboration with leading interior design professionals over the years. Built to your specifications, every fixture reflects the uncompromising design and attention to detail that is distinctly Hammerton.

## A REPUTATION REFLECTED BY OUR CLIENTS

Hammerton fixtures are as extraordinary as the clients who purchase them, including Forbes 400 members, Fortune 500 leaders, award-winning entertainers, fashion and interior designers, sports legends, and leading luxury hospitality brands.

Hammerton Inc.  
217 Wright Brothers Drive  
Salt Lake City, UT 84116

801-973-8095 EXT: 4  
[www.hammerton.com](http://www.hammerton.com)