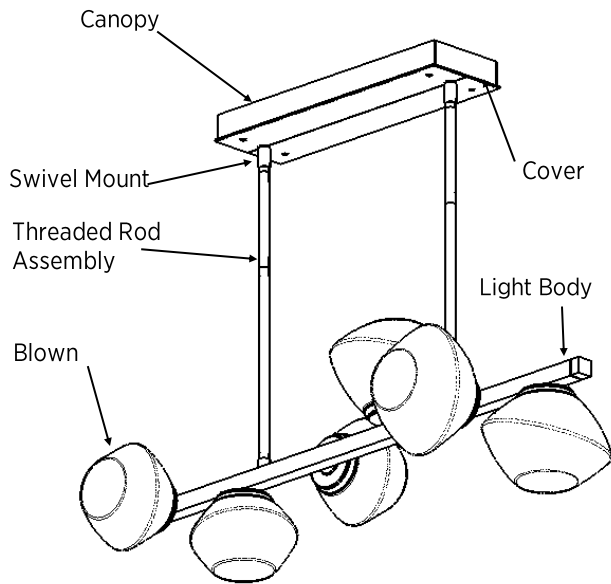


Included Components

- A. Light Body
- B. Blown Glass
- C. Mounting Packet (not shown)
- D. Rod Sets
- E. Canopy

Required Tools

- 1. Philips screw driver (not provided)
- 2. Wire cutters/strippers (not provided)
- 3. Measuring tape (not provided)



PLB0089-T6 (6PC Shown)

Assembly Instructions

Step 1: TURN OFF POWER TO JUNCTION BOX TO BE USED FOR INSTALLATION.

WARNING: Failure to use the LED driver to power your pendant will permanently damage your product making it unusable

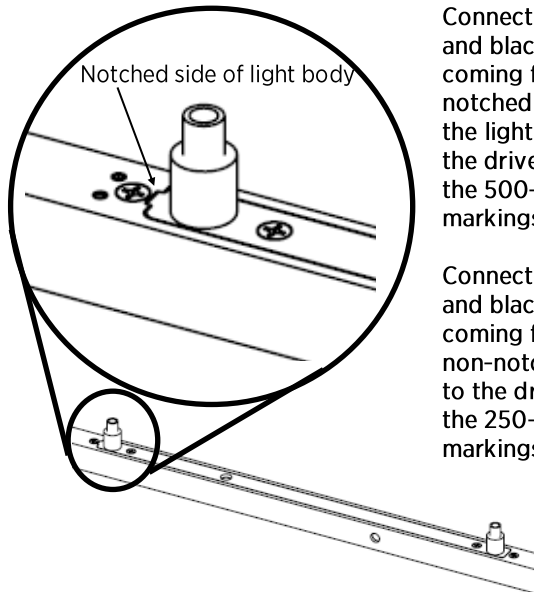
Step 2: Mount fixture to the ceiling following the provided Mounting Instructions

Step 3: Adjust the canopy-rod assembly length to accommodate your desired fixture overall height following the provided **Rod Assembly Instructions**

Step 4: Route the pair of wires coming out of a Rod Assembly through a Swivel Mount on the Canopy Faceplate and screw the Rod Assembly onto the Swivel Mount. Make wire connections between the pair of wires to the driver, **Black to Black and Red to Red.**

Note: Swivel nut inside the canopy may have to be loosened to allow rods to turn.

For 10 PC Twisted Branch only



Connect the red and black wires coming from the notched side of the light body to the driver with the 500-32 markings.

Connect the red and black wires coming from the non-notched side to the driver with the 250-42 markings.

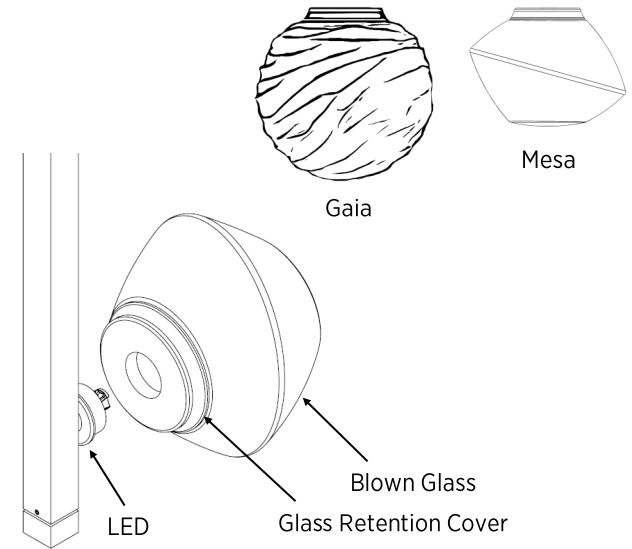
Step 5: Make wire connection from source power to drivers by connecting **black to black and white to white.**

Step 6: Reinstall Canopy Cover Plate.

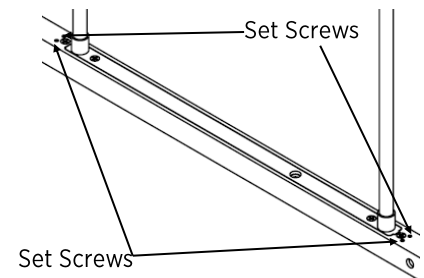
Step 7: The Glass will be snugly attached to the Glass Retention Cover, creating a cohesive unit. Turn the unit so that the glass retention threads onto the LED housing.

NOTE: Install glass one at a time, ensuring fixture remains balanced. **TWO PEOPLE ARE HIGHLY RECOMMENDED FOR GLASS INSTALLATION.**

Glass Options



Step 8: Once the glass is installed check that the light body is level. If the light body is not level loosen the set screws on the light body. Tighten the set screws on the side that you wish to level. Once level, snug up the remaining set screws.



About Hammerton Studio

HAMMERTON STUDIO

When we introduced the Hammerton Studio brand in 2014, we saw an enormous opportunity to raise the bar in decorative lighting. In design, we wanted to lead rather than follow. In construction, we wanted to showcase Hammerton's renowned reverence for time-honored artisan craftsmanship and authentic materials. In performance, we wanted to provide highly reliable solutions that far exceeded industry norms for aesthetics, function, and quality. Based on the brand's dramatic growth and customer feedback, it's clear we are on the right track.

EXTRAORDINARY DESIGN VALUE IN ARTISAN GLASS & METALWORK

Hammerton began in 1995 as a blacksmith shop, but we've come a long way since then. Today we employ a world class team of metal artisans who are disciplined in a broad range of fabrication techniques and processes. We've also added in-house capabilities in blown, cast and kiln-fused glass, and today Hammerton operates one of the largest artisan glass production facilities in the U.S. With deep design and fabrication expertise at the intersection of glass and metalwork, we're laying the foundation for a new era of lighting innovation.

THE HAMMERTON HERITAGE

Our Hammerton Studio brand stands on the shoulders of more than a quarter century of experience pushing the boundaries of innovative custom lighting design. Each Hammerton Studio collection has been inspired by custom work our company has brought to life in collaboration with leading interior design professionals over the years. Built to your specifications, every fixture reflects the uncompromising design and attention to detail that is distinctly Hammerton.

A REPUTATION REFLECTED BY OUR CLIENTS

Hammerton fixtures are as extraordinary as the clients who purchase them, including Forbes 400 members, Fortune 500 leaders, award-winning entertainers, fashion and interior designers, sports legends, and leading luxury hospitality brands.

Hammerton Inc.
217 Wright Brothers Drive
Salt Lake City, UT 84116

801-973-8095
www.hammerton.com

Warranty

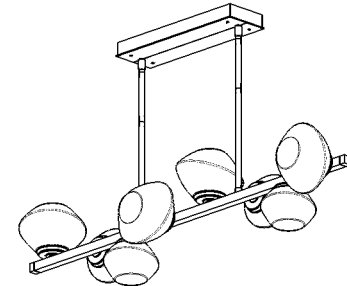
Please visit:

<https://studio.hammerton.com/lifetime-limited-warranty>
to view the Hammerton Studio Warranty Policy

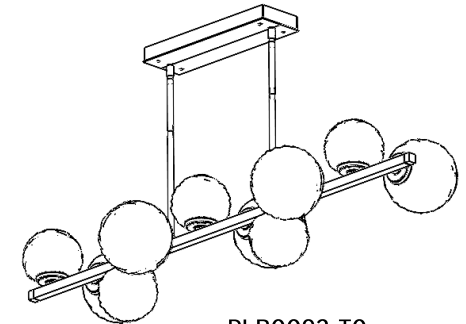
HAMMERTONSTUDIO™

Assembly Instructions

PLB0089-T6, PLB0089-T8,
PLB0089-T0, PLB0089-T2,
PLB0092-T6, PLB0092-T8,
PLB0092-T0, PLB0092-T2



PLB0089-T8



PLB0092-T0

WARNING: FAILURE TO INSTALL THIS FIXTURE PROPERLY MAY RESULT IN SERIOUS PERSONAL INJURY OR DEATH AND PROPERTY DAMAGE.

It is recommended that this product be installed by a licensed electrician.

41-001-00217
Rev 3