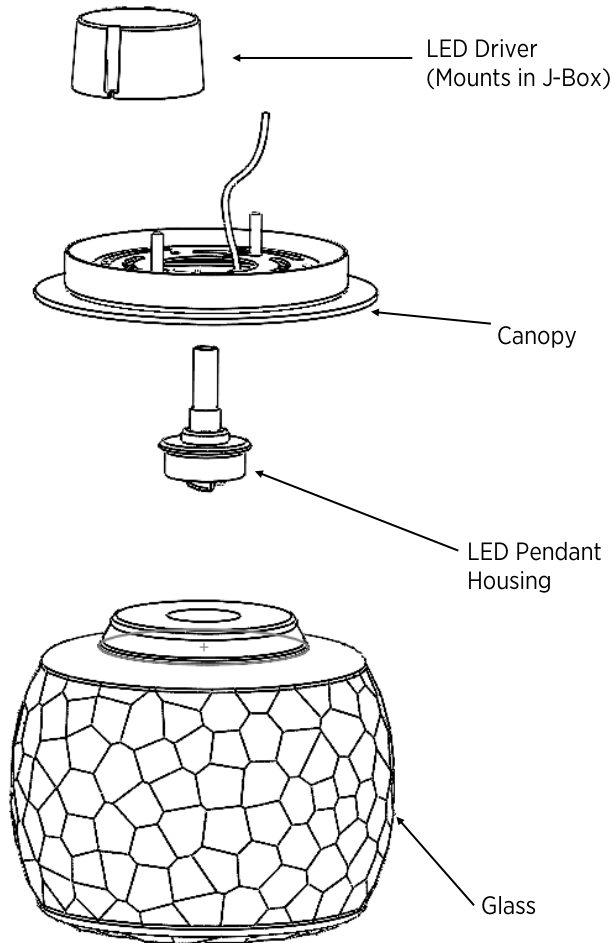


Included Components

- A. Hardware Packet Y with Instructions
- B. Blown Glass
- C. Canopy with glass retention
- D. Driver

Required Tools

1. Philips screw driver (not provided)
2. Wire cutters/strippers (not provided)



Assembly Instructions

Step 1: TURN OFF POWER TO JUNCTION BOX TO BE USED FOR INSTALLATION.

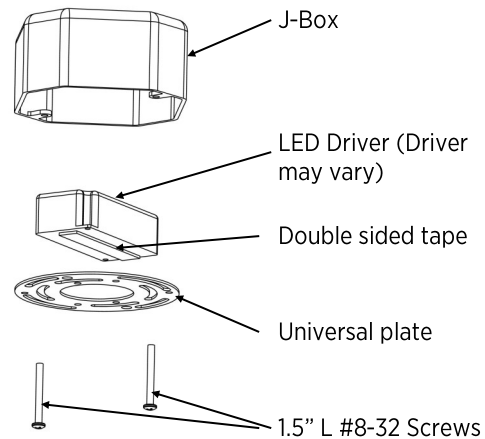
WARNING: Failure to use the LED driver to power your pendant will permanently damage your product making it unusable

Step 2: Connect the WHITE wire from the LED Driver to the WHITE wire from the power source inside the J-Box using one of the provided orange wire nuts. Follow the same steps for the two BLACK wires

WARNING

The BLUE and RED leads from the driver are for DC current only. If these leads or the LED pendant are connected to AC power the fixture will be damaged.

Step 3: Mount the driver to the top of the universal plate provided in the mounting packet using the double sided tape pre-attached to the driver. Then affix the universal plate to the J-Box using the 1.5" L #8-32 screws provided in the mounting pack. The Blue and Red leads should not be connected yet. IF available, the Pink, and Purple leads should not be connected at this point. (LED Driver will be sitting inside of the J-box)



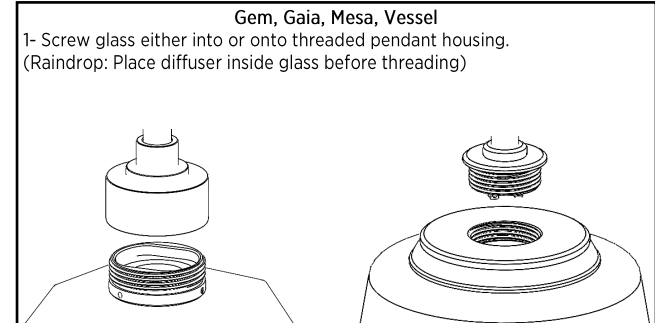
Step 4: Feed the exposed wire from the canopy up through the universal plate and make Wire Connections to the Driver. Connect the RED of the Driver to the RED of the Canopy, and the BLUE of the Driver to the BLACK of the Canopy.

NOTE: The Pink and Purple wires are used for optional 0-10V dimming. If not applicable, cap the wires.

Step 5: Mount the canopy to the ceiling using the provided Mounting Instructions, provided within Hardware Pack Y.

Be sure to align all-thread holes on both canopy faceplate and canopy cover

Step 7: Attach glass to LED pendant housing



About Hammerton Studio

HAMMERTON STUDIO

When we introduced the Hammerton Studio brand in 2014, we saw an enormous opportunity to raise the bar in decorative lighting. In design, we wanted to lead rather than follow. In construction, we wanted to showcase Hammerton's renowned reverence for time-honored artisan craftsmanship and authentic materials. In performance, we wanted to provide highly reliable solutions that far exceeded industry norms for aesthetics, function, and quality. Based on the brand's dramatic growth and customer feedback, it's clear we are on the right track.

EXTRAORDINARY DESIGN VALUE IN ARTISAN GLASS & METALWORK

Hammerton began in 1995 as a blacksmith shop, but we've come a long way since then. Today we employ a world class team of metal artisans who are disciplined in a broad range of fabrication techniques and processes. We've also added in-house capabilities in blown, cast and kiln-fused glass, and today Hammerton operates one of the largest artisan glass production facilities in the U.S. With deep design and fabrication expertise at the intersection of glass and metalwork, we're laying the foundation for a new era of lighting innovation.

THE HAMMERTON HERITAGE

Our Hammerton Studio brand stands on the shoulders of more than a quarter century of experience pushing the boundaries of innovative custom lighting design. Each Hammerton Studio collection has been inspired by custom work our company has brought to life in collaboration with leading interior design professionals over the years. Built to your specifications, every fixture reflects the uncompromising design and attention to detail that is distinctly Hammerton.

A REPUTATION REFLECTED BY OUR CLIENTS

Hammerton fixtures are as extraordinary as the clients who purchase them, including Forbes 400 members, Fortune 500 leaders, award-winning entertainers, fashion and interior designers, sports legends, and leading luxury hospitality brands.

Hammerton Inc.
217 Wright Brothers Drive
Salt Lake City, UT 84116

801-973-8095 EXT: 4
www.hammerton.com

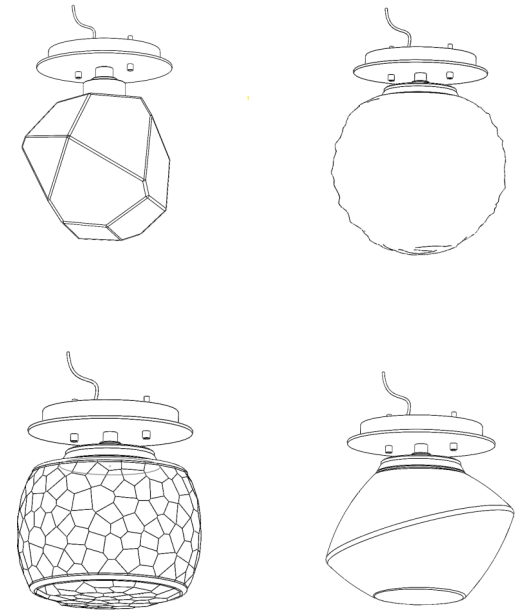
Warranty

Please visit <https://studio.hammerton.com/lifetime-limited-warranty/> to view the Hammerton Studio Warranty Policy.

HAMMERTONSTUDIO™

Assembly Instructions LED Cord Suspended Pendant

CLB0039, CLB0089, CLB0091,
CLB0092



WARNING: Failure to use the LED driver to power your pendant will permanently damage your product making it unusable.

WARNING: FAILURE TO INSTALL THIS FIXTURE PROPERLY MAY RESULT IN SERIOUS PERSONAL INJURY OR DEATH AND PROPERTY DAMAGE.

It is recommended that this product be installed by a licensed electrician.

41-001-00269
Rev 3