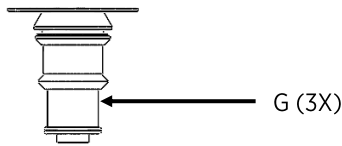
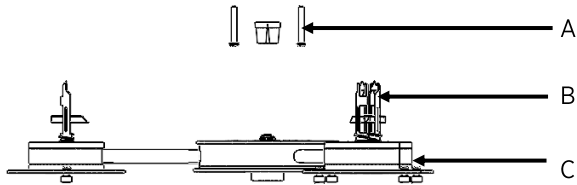


## Included Components

- A. Hardware Packet T with Instructions
- B. 3X Toggle Bolts and Washers
- C. Canopy
- D. Driver
- E. Metal or Glass Discs
- F. Clear Spacer Tubes
- G. 3X Light Bar Assembly

## Required Tools

- 1. Philips screw driver (not provided)
- 2. Wire cutters/strippers (not provided)

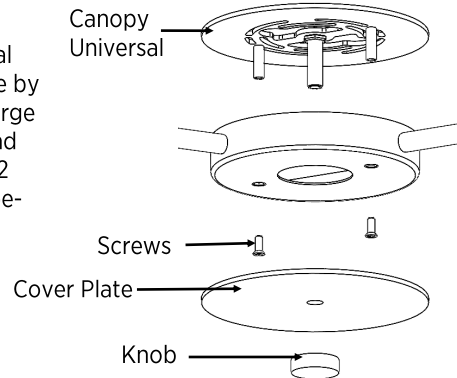


## Assembly Instructions

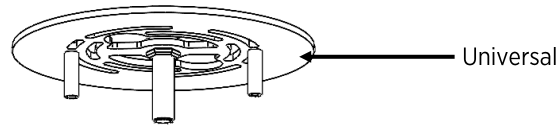
**Step 1: TURN OFF POWER TO JUNCTION BOX TO BE USED FOR INSTALLATION.**

**WARNING:** Failure to use the LED driver to power your fixture will permanently damage your product making it unusable

**Step 2:** Remove Canopy Universal from light fixture by removing the Large cylinder knob and unscrewing the 2 Phillips screws beneath the cover plate.



**Step 3:** Follow mounting packet T instructions to attach canopy universal to ceiling. **Note: Standoff orientation affects fixture orientation.**



**Step 4:** Refer to mounting template instructions 41-001-00300 to mark mounting locations onto the wall/ceiling.

**Step 5:** Follow the first step of the toggle bolt instructions on next page to attach toggle bolts to dry-wall at each of the 3 locations you marked.

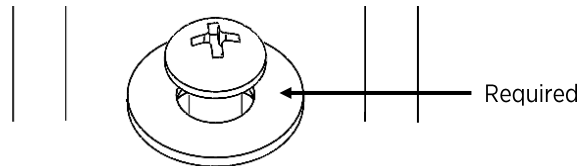
### WARNING

The PURPLE and RED leads from the driver are for DC current only. If these leads or the Light Bar are connected to AC power the fixture will be damaged.

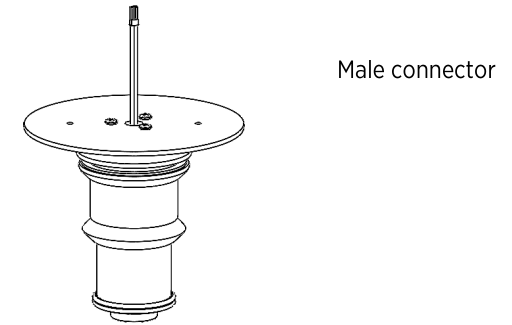
**Step 6:** Make wire connections from driver to source power as per mounting packet T instructions.

**Step 7:** Reattach canopy to universal using flathead screws, and close the center assembly with the large cylinder knob and faceplate.

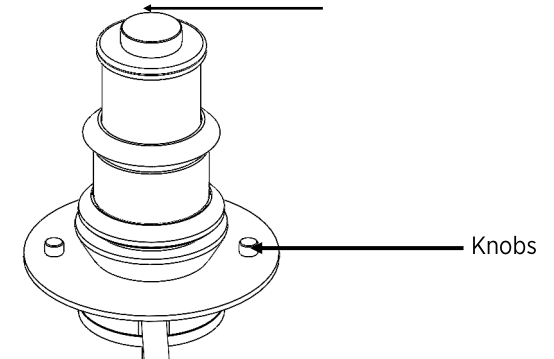
**Step 8:** Follow the rest of the toggle bolt instructions on next page to attach the 3 hubs to the wall using the toggle bolts. Be sure to use the included washers (shown below)



**Step 9:** Attach male electrical connector connected to the light bar assemblies (G) to the female electrical connectors inside of the outer hubs



**Step 10:** Secure light bar assemblies to the hubs using the 2 provided cylinder knobs.



**Step 11:** Follow instructions on next page to properly layer the glass or metal motifs, depending on fixture configuration.

### HAMMERTON STUDIO

When we introduced the Hammerton Studio brand in 2014, we saw an enormous opportunity to raise the bar in decorative lighting. In design, we wanted to lead rather than follow. In construction, we wanted to showcase Hammerton's renowned reverence for time-honored artisan craftsmanship and authentic materials. In performance, we wanted to provide highly reliable solutions that far exceeded industry norms for aesthetics, function, and quality. Based on the brand's dramatic growth and customer feedback, it's clear we are on the right track.

### EXTRAORDINARY DESIGN VALUE IN ARTISAN GLASS & METALWORK

Hammerton began in 1995 as a blacksmith shop, but we've come a long way since then. Today we employ a world class team of metal artisans who are disciplined in a broad range of fabrication techniques and processes. We've also added in-house capabilities in blown, cast and kiln-fused glass, and today Hammerton operates one of the largest artisan glass production facilities in the U.S. With deep design and fabrication expertise at the intersection of glass and metalwork, we're laying the foundation for a new era of lighting innovation.

### THE HAMMERTON HERITAGE

Our Hammerton Studio brand stands on the shoulders of more than a quarter century of experience pushing the boundaries of innovative custom lighting design. Each Hammerton Studio collection has been inspired by custom work our company has brought to life in collaboration with leading interior design professionals over the years. Built to your specifications, every fixture reflects the uncompromising design and attention to detail that is distinctly Hammerton.

### A REPUTATION REFLECTED BY OUR CLIENTS

Hammerton fixtures are as extraordinary as the clients who purchase them, including Forbes 400 members, Fortune 500 leaders, award-winning entertainers, fashion and interior designers, sports legends, and leading luxury hospitality brands.

Hammerton Inc.  
217 Wright Brothers Drive  
Salt Lake City, UT 84116

801-973-8095  
info@hammerton.com  
[www.hammerton.com](http://www.hammerton.com)

### ONE YEAR LIMITED WARRANTY

Hammerton, Inc. (Hammerton) warrants the original owner that this product will be free of defects in material or workmanship for the period of one year from the date of original purchase from Hammerton, if (i) the allegedly defective product has not been abused, misused or improperly maintained and or repaired during the warranty period, (ii) the defect is not caused by water damage/flooding, fire, explosion, earthquakes or similar phenomenon, and (iii) the defect is not caused by improper installation (unless installed by Hammerton).

In order to obtain warranty service, the user must first complete a warranty claims form. Hammerton will determine if the product will be inspected on site or returned to Hammerton. If after the inspection Hammerton finds that the product is defective as claimed, Hammerton will, at its option, repair or replace the product free of charge, or Hammerton may also agree to outsource necessary repair work locally using local contracted labor. Prior to any outsourcing of repair work regarding this fixture, a Work Authorization Form must be signed by both the client and Hammerton Representative. Failure to do so may result in a denial of reimbursement. Hammerton warrants any replaced or repaired products for ninety days after shipment or through the end of the original warranty period, whichever is longer. All products or parts that are replaced become the property of Hammerton.

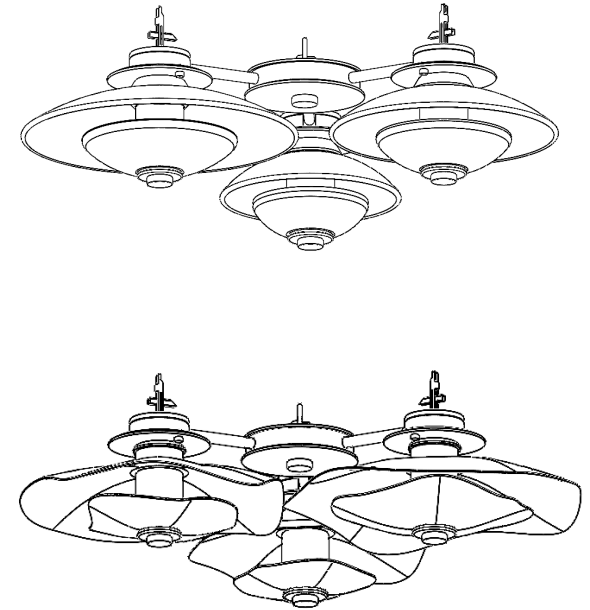
No representative or employee of Hammerton is authorized to make any modification or addition to this limited warranty.

TO THE FULL EXTENT ALLOWED BY LAW, THE FOREGOING WARRANTY AND REMEDIES ARE EXCLUSIVE, AND HAMMERTON EXPRESSLY DISCLAIMS ALL OTHER WARRANTIES, EXPRESSED OR IMPLIED, INCLUDING WITHOUT LIMITATION THE IMPLIED WARRANTIES OF MERCHANTABILITY AND FITNESS FOR A PARTICULAR PURPOSE. TO THE FULL EXTENT ALLOWED BY LAW, HAMMERTON EXCLUDES AND DISCLAIMS LIABILITY, WHETHER BASED IN CONTRACT OR TORT (INCLUDING NEGLIGENCE FOR ANY CONSEQUENTIAL, INDIRECT INCIDENTAL OR SPECIAL DAMAGES OF ANY NATURE ARISING OUT OF THE SALE INSTALLATION, MAINTENANCE, USE OR FAILURE OF THIS PRODUCT, EVEN IF HAMMERTON HAS BEEN ADVISED OF THE POSSIBILITY OF SUCH DAMAGES IN ADVANCE, AND HAMMERTON LIMITS ITS LIABILITY TO REPLACEMENT, REPAIR OR REFUND OF THE PURCHASE PRICE PAID, AT HAMMERTON'S OPTION.)

SOME STATES DO NOT ALLOW LIMITATIONS ON HOW LONG AN IMPLIED WARRANTY LASTS AND/OR DO NOT ALLOW THE EXCLUSION OR LIMITATION OF INCIDENTAL OR CONSEQUENTIAL DAMAGES, SO THE ABOVE LIMITATION ON IMPLIED WARRANTY AND INCIDENTAL OR CONSEQUENTIAL DAMAGES MAY NOT APPLY TO YOU. THIS WARRANTY GIVES YOU SPECIFIC LEGAL RIGHTS YOU MAY HAVE OTHER RIGHTS, WHICH VARY FROM STATE TO STATE

## Assembly Instructions 3 Piece Surface Mount

SMB0098-H3, SMB0099-H3



**WARNING:** Failure to use the LED driver to power your pendant will permanently damage your product making it unusable.

**WARNING:** FAILURE TO INSTALL THIS FIXTURE PROPERLY MAY RESULT IN SERIOUS PERSONAL INJURY OR DEATH AND PROPERTY DAMAGE.

It is recommended that this product be installed by a licensed electrician.

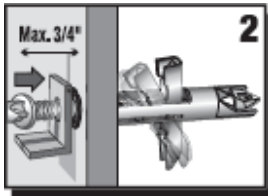
41-001-00285

Rev 3

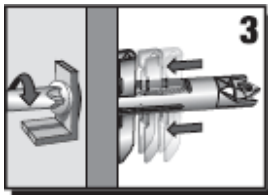
# E-Z Toggle™ Instructions



Turn E-Z Toggle into drywall until seated flush. Arrows on head indicate direction toggle clamp will open. End with arrows up and down.



Place fixture over E-Z Toggle. Push screw into E-Z Toggle to engage clamp



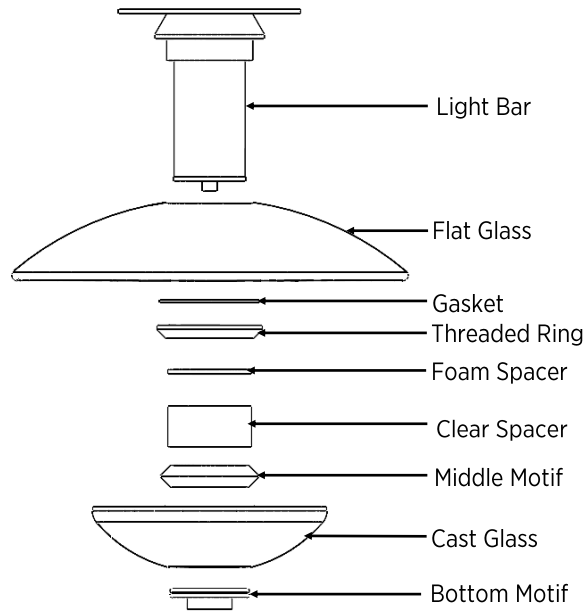
Turn screw until it stops. Toggle clamp tightens against drywall as screw is turned.

## SMB0098 Cirrus Motif Installation:

**Step 1:** Unscrew the Bottom Motif of the light bar and remove the preinstalled Middle Motif, Clear Spacer and Foam Spacer. Unscrew the Threaded Ring and remove the Gasket.

**Step 2:** Slide the Flat Glass and Gasket onto the light bar and secure with the Threaded Ring.

**Step 3:** Slide the black Foam Spacer, Clear Spacer Tube, Middle Motif, and Cast Glass onto the light bar and secure with the bottom motif.



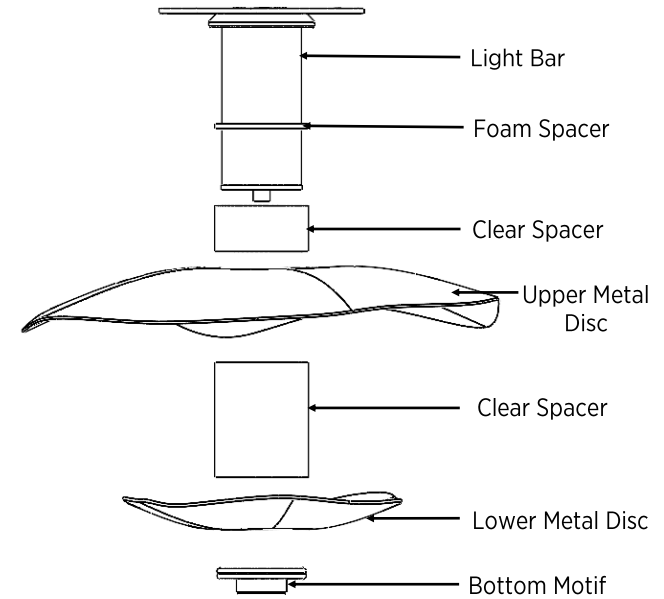
### NOTE

The Cast Glass and Flat Glass will be marked with a size (SM, MD, LG). Ensure that on a single light bar there is matching Cast Glass and Flat glass size. LG-LG SM-SM etc.

## SMB0099 Cumulus Motif Installation:

**Step 1:** Unscrew the Bottom Motif of the light bar and remove the 2x preinstalled Clear Spacers and Black Foam Spacer.

**Step 2:** Slide the Foam Spacer, Small Clear Spacer, Metal Disc with large center hole, Large Glass Spacer, and Metal Disc with small center hole, onto the light bar assembly, and secure with the bottom motif.



### NOTE

The Upper Metal Discs and Lower Metal Discs will each be marked with a size (SM, MD, LG). Ensure that on a single light bar there is matching Upper and Lower Metal disc size. LG-LG SM-SM etc.