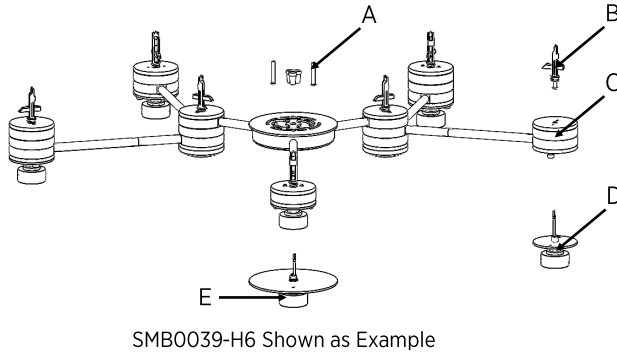


## Included Components

- A. Hardware Packet T with Instructions
- B. Toggle Bolts and Washers (QTY: 7)
- C. Canopy and Light Body
- D. Outer LED Assembly (QTY: 5)
- E. Center LED Assembly (QTY: 1)
- F. Handblown Glass (QTY: 6)

## Required Tools

- 1. Philips screw driver (not provided)
- 2. Wire cutters/strippers (not provided)

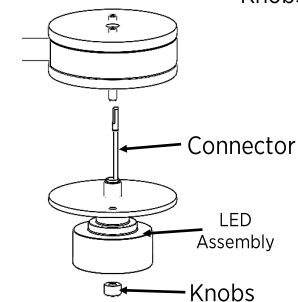
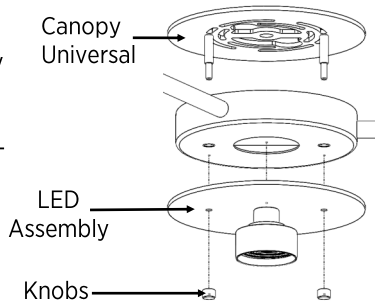


## Assembly Instructions

### Step 1: TURN OFF POWER TO JUNCTION BOX TO BE USED FOR INSTALLATION.

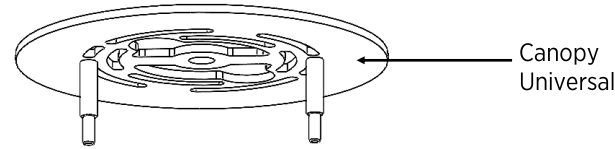
**WARNING:** Failure to use the LED driver to power your fixture will permanently damage your product making it unusable

**Step 2:** Remove Canopy Universal from light fixture by removing the 2 cylinder knobs in the center hub and pulling the center LED assembly and the Canopy Universal apart.



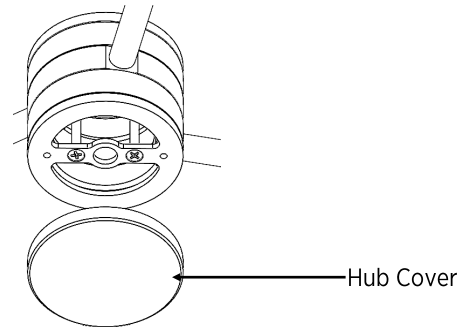
**Step 3:** Remove the 5 outer LED Assemblies from the light fixture by removing the 2 cylinder knobs and detaching the electrical connector. Set aside for later installation.

**Step 3:** Follow mounting packet T instructions to attach canopy universal to ceiling. **Note: Standoff orientation affects fixture orientation.**



**Step 4:** Refer to mounting template instructions 41-001-00307/41-001-00308 to mark mounting locations onto the wall/ceiling.

**Step 5:** Remove the 3-way hub covers by unscrewing them counterclockwise.



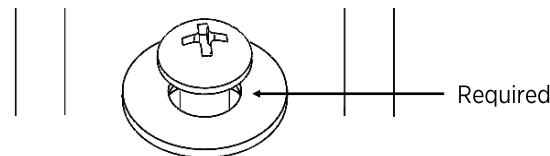
**Step 6:** Follow the first step of the toggle bolt instructions on the following page to attach toggle bolts to dry-wall at each of the 3 locations you marked using the mounting template.

### WARNING

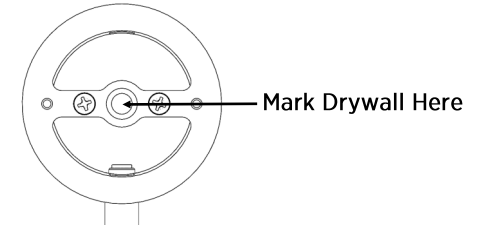
The PURPLE and RED leads from the driver are for DC current only. If these leads or the Light Bar are connected to AC power the fixture will be damaged.

**Step 7:** Make wire connections from driver to source power as per mounting packet T instructions. Reattach canopy to universal using cylinder knobs (this step may require 2 people). Ensure that the female electrical connector attached to the driver runs out the center of the canopy for easy access later.

**Step 8:** Follow the rest of the toggle bolt instructions on next page to attach the 3 hub locations marked using the mounting template to the wall using the toggle bolts. Be sure to use the included washers (shown below)



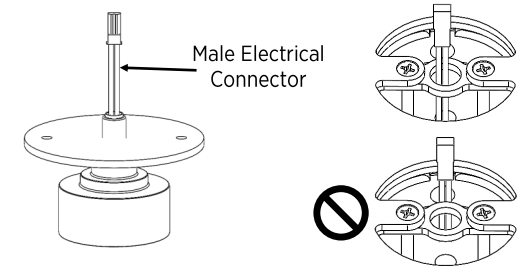
**Step 9:** Orient the 4 arms that are still free-swinging as desired. Ensure that there is a large enough radius between 2 hubs so that glass will not collide when installed. Once orientation is determined, mark drywall at each of the 4 hub locations (shown below).



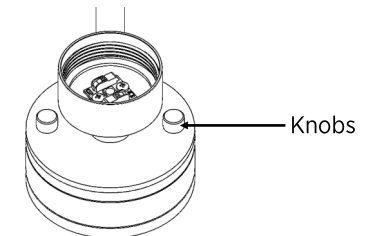
**Step 10:** Once locations have been marked, move arms temporarily out of the way to install toggle bolts at each of the 4 locations. Once toggles have been installed, swing the arms back into position and secure with toggle screws and washers.

**Step 11:** Replace hub covers removed in Step 5.

**Step 12:** Attach male electrical connector (shown left) connected to the LED Assemblies to the female electrical connectors inside of the outer hubs. Ensure that wire runs through the center hole, and not around it to prevent any potential shorts (shown right). **Note: For Luna glass, glass installation is required prior to LED assembly installation. Follow glass instructions on the following page and return to this step once glass is installed.**



**Step 13:** Secure LED assemblies to the hubs using the 2 provided cylinder knobs.



**Step 14:** Follow Glass instructions on the following page to properly install glass.

## About Hammerton Studio

---

### HAMMERTON STUDIO

When we introduced the Hammerton Studio brand in 2014, we saw an enormous opportunity to raise the bar in decorative lighting. In design, we wanted to lead rather than follow. In construction, we wanted to showcase Hammerton's renowned reverence for time-honored artisan craftsmanship and authentic materials. In performance, we wanted to provide highly reliable solutions that far exceeded industry norms for aesthetics, function, and quality. Based on the brand's dramatic growth and customer feedback, it's clear we are on the right track.

### EXTRAORDINARY DESIGN VALUE IN ARTISAN GLASS & METALWORK

Hammerton began in 1995 as a blacksmith shop, but we've come a long way since then. Today we employ a world class team of metal artisans who are disciplined in a broad range of fabrication techniques and processes. We've also added in-house capabilities in blown, cast and kiln-fused glass, and today Hammerton operates one of the largest artisan glass production facilities in the U.S. With deep design and fabrication expertise at the intersection of glass and metalwork, we're laying the foundation for a new era of lighting innovation.

### THE HAMMERTON HERITAGE

Our Hammerton Studio brand stands on the shoulders of more than a quarter century of experience pushing the boundaries of innovative custom lighting design. Each Hammerton Studio collection has been inspired by custom work our company has brought to life in collaboration with leading interior design professionals over the years. Built to your specifications, every fixture reflects the uncompromising design and attention to detail that is distinctly Hammerton.

### A REPUTATION REFLECTED BY OUR CLIENTS

Hammerton fixtures are as extraordinary as the clients who purchase them, including Forbes 400 members, Fortune 500 leaders, award-winning entertainers, fashion and interior designers, sports legends, and leading luxury hospitality brands.

Hammerton Inc.  
217 Wright Brothers Drive  
Salt Lake City, UT 84116

801-973-8095  
info@hammerton.com  
[www.hammerton.com](http://www.hammerton.com)

## Warranty

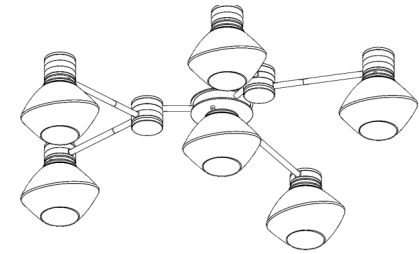
---

Please visit:  
<https://studio.hammerton.com/lifetime-limited-warranty/>  
to view the Hammerton Studio Warranty Policy

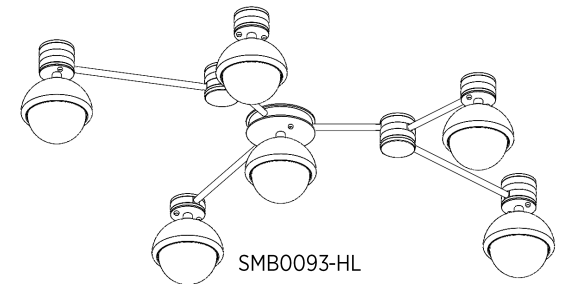
# HAMMERTONSTUDIO™

## Assembly Instructions 6 Piece Surface Mount

SMB0039-HX, SMB0089-HX, SMB0091-HX,  
SMB0092-HX, SMB0093-HX, SMB0095-HX,



SMB0089-H6



SMB0093-HL

**WARNING:** Failure to use the LED driver to power your pendant will permanently damage your product making it unusable.

**WARNING:** FAILURE TO INSTALL THIS FIXTURE PROPERLY MAY RESULT IN SERIOUS PERSONAL INJURY OR DEATH AND PROPERTY DAMAGE.

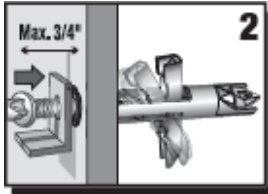
It is recommended that this product be installed by a licensed electrician.

41-001-00302  
Rev 1

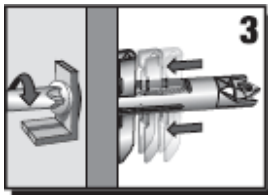
# E-Z Toggle™ Instructions



Turn E-Z Toggle into drywall until seated flush. Arrows on head indicate direction toggle clamp will open. End with arrows up and down.



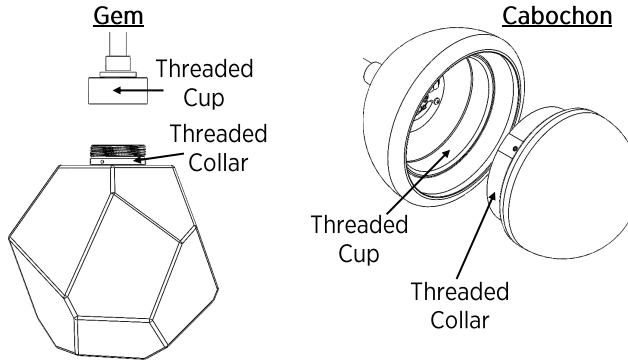
Place fixture over E-Z Toggle. Push screw into E-Z Toggle to engage clamp



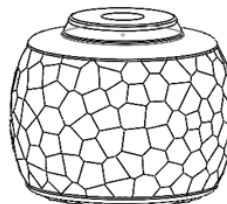
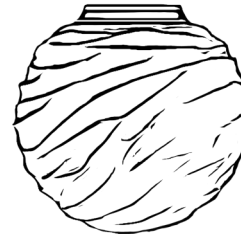
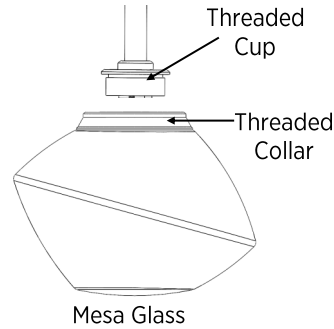
Turn screw until it stops. Toggle clamp tightens against drywall as screw is turned.

## Glass Installation

Step 15: Install glass by screwing the threaded collar on the glass onto the threaded cup.



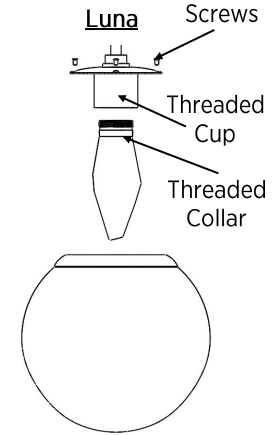
## Mesa, Vessel, and Gaia



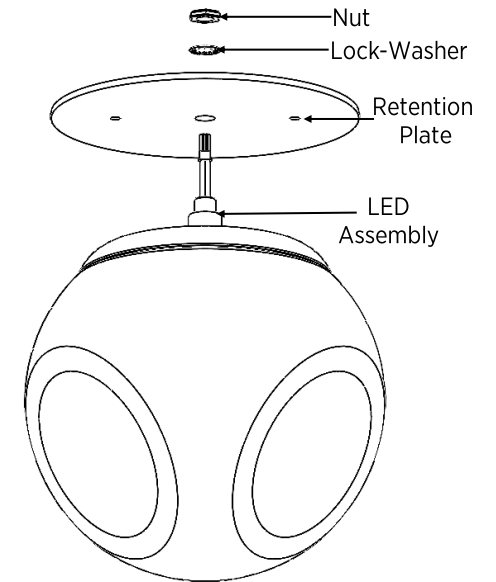
Vessel Glass

## Luna Glass Installation

Step 13.1: Install inner glass by screwing the threaded collar on the glass onto the threaded cup. Then attach outer glass from the back using the provided screws from the hardware pack.



Step 13.2: For center LED assembly, install the glass as you did in step 13.1 then attach the canopy retention plate using the provided nut and lock-washer as shown below.



Step 13.3: Return to step 12 on the previous page to continue installation.