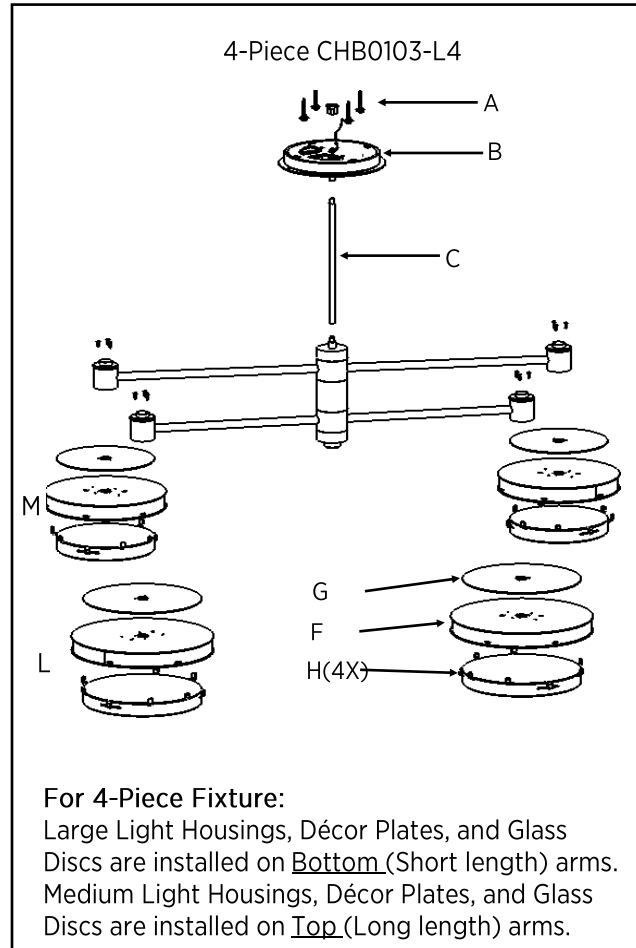
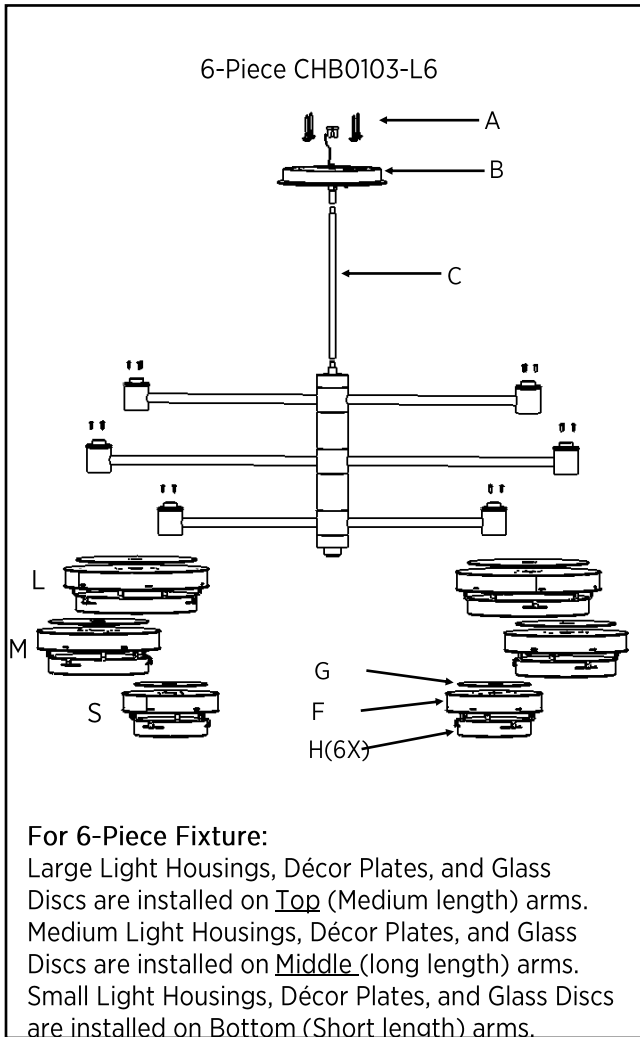


Included Components

- A. Hardware Packet S/Z with Instructions
- B. Canopy
- C. Rod Set With Instructions
- D. Driver
- E. Light Body (6 Arm or 4 Arm)
- F. 6X/4X Light Housings with snap-on bezels (2S,2M,2L or 2M,2L)
- G. 6X/4X Décor Plates (2S,2M,2L or 2M,2L)
- H. 6X/4X Glass Discs (2S,2M,2L or 2M,2L)

Required Tools

1. Philips screw driver (not provided)
2. Wire cutters/strippers (not provided)
3. An extra set of hands



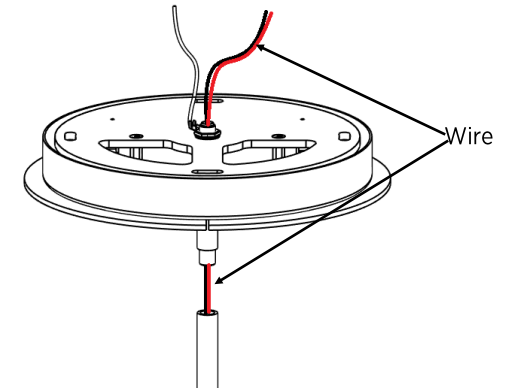
WARNING: Failure to use the LED driver to power your fixture will permanently damage your product making it unusable

Assembly Instructions

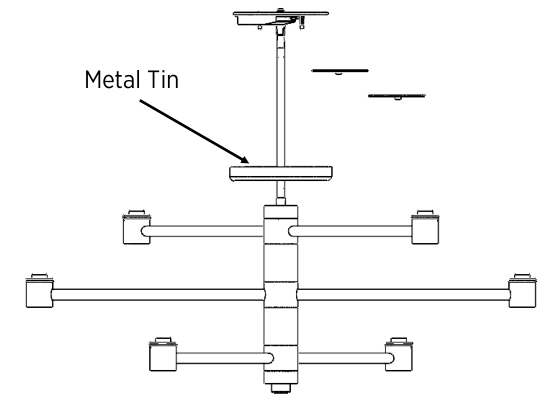
Step 1: TURN OFF POWER TO JUNCTION BOX TO BE USED FOR INSTALLATION.

Step 2: Follow the rod set instructions to attach rods to the light body to meet the desired length.

Step 3: Thread a threaded IP onto the coupler of the canopy and run the light body wires through the canopy (see image below). Screw the canopy onto the top of the rod set, making sure that wires do not twist.



Step 4: Remove canopy faceplates by removing cylinder knobs and set both faceplates and knobs aside. Carefully let the metal tin slide down the rods, making sure not to scratch the rods, and rest it on top of the light body (see image below)



Step 5: Follow mounting packet S/Z instructions to attach canopy universal to ceiling. Due to the weight of the fixture, Lag Bolts must be used to mount to a stud or structural backer. The Black and Red fixture wires should run into the J-box then back out through the universal.

About Hammerton Studio

HAMMERTON STUDIO

When we introduced the Hammerton Studio brand in 2014, we saw an enormous opportunity to raise the bar in decorative lighting. In design, we wanted to lead rather than follow. In construction, we wanted to showcase Hammerton's renowned reverence for time-honored artisan craftsmanship and authentic materials. In performance, we wanted to provide highly reliable solutions that far exceeded industry norms for aesthetics, function, and quality. Based on the brand's dramatic growth and customer feedback, it's clear we are on the right track.

EXTRAORDINARY DESIGN VALUE IN ARTISAN GLASS & METALWORK

Hammerton began in 1995 as a blacksmith shop, but we've come a long way since then. Today we employ a world class team of metal artisans who are disciplined in a broad range of fabrication techniques and processes. We've also added in-house capabilities in blown, cast and kiln-fused glass, and today Hammerton operates one of the largest artisan glass production facilities in the U.S. With deep design and fabrication expertise at the intersection of glass and metalwork, we're laying the foundation for a new era of lighting innovation.

THE HAMMERTON HERITAGE

Our Hammerton Studio brand stands on the shoulders of more than a quarter century of experience pushing the boundaries of innovative custom lighting design. Each Hammerton Studio collection has been inspired by custom work our company has brought to life in collaboration with leading interior design professionals over the years. Built to your specifications, every fixture reflects the uncompromising design and attention to detail that is distinctly Hammerton.

A REPUTATION REFLECTED BY OUR CLIENTS

Hammerton fixtures are as extraordinary as the clients who purchase them, including Forbes 400 members, Fortune 500 leaders, award-winning entertainers, fashion and interior designers, sports legends, and leading luxury hospitality brands.

Hammerton Inc.
217 Wright Brothers Drive
Salt Lake City, UT 84116

801-973-8095
www.hammerton.com

Warranty

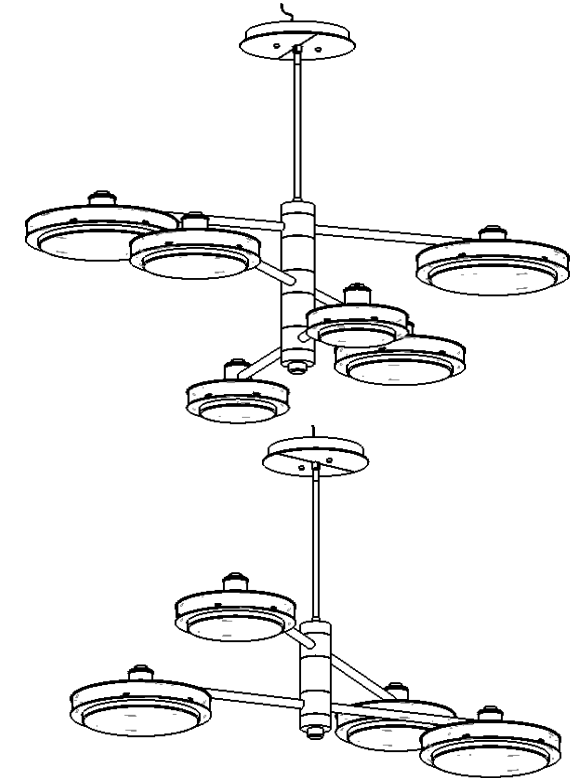
Please visit:

<https://studio.hammerton.com/lifetime-limited-warranty>
to view the Hammerton Studio Warranty Policy

HAMMERTONSTUDIO™

Assembly Instructions

6/4 Piece Iris Mobile
CHB0103-L6/L4

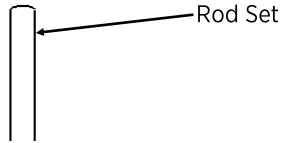
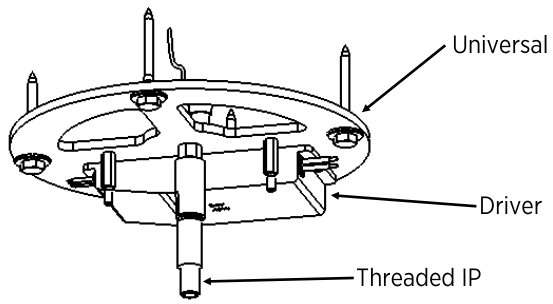


WARNING: Failure to use the LED driver to power your pendant will permanently damage your product making it unusable.

WARNING: FAILURE TO INSTALL THIS FIXTURE PROPERLY MAY RESULT IN SERIOUS PERSONAL INJURY OR DEATH AND PROPERTY DAMAGE.

It is recommended that this product be installed by a licensed electrician.

41-001-00339
Rev 2



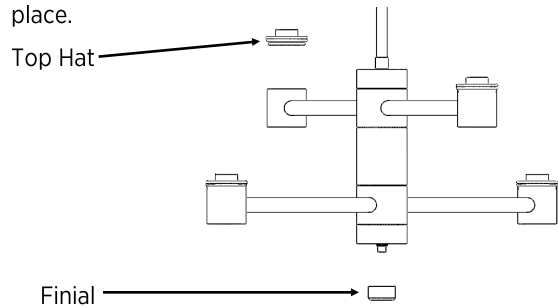
WARNING

The PURPLE and RED leads from the driver are for DC current only. If these leads or the Light Body are connected to AC power the fixture will be damaged.

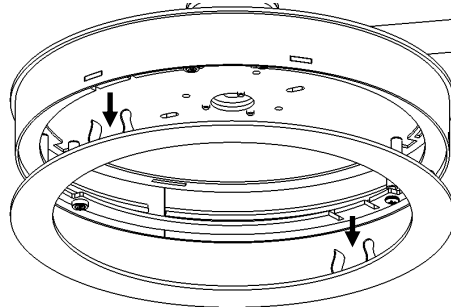
Step 6: Make wire connections from the driver that is attached to the universal to the light fixture, **Red to Red and Black to Purple**. Then make wire connections from the driver to source power, **Black to Hot, White to Neutral, Earth to Bare Copper**.

Step 7: Close canopy by aligning the metal tin with the universal standoffs, and attaching faceplates with cylinder knobs as it was before.

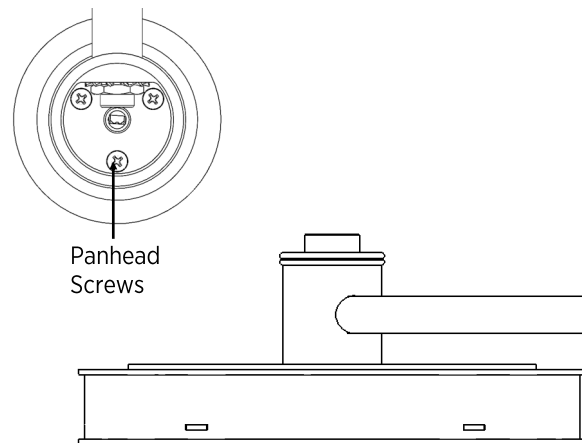
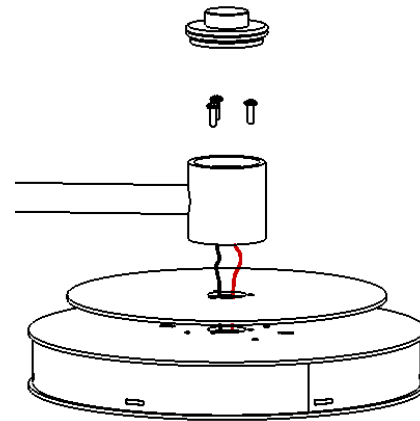
Step 8: Remove the bottom finial and orient arms as desired. Replace the finial and screw tight to lock arms into place.



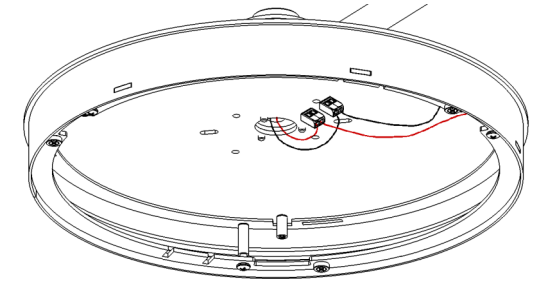
Step 9: Grip the edges of the snap-on bezel and gently pry down until the snap-on bezel pops loose. (As pictured below) Set bezels to the side.



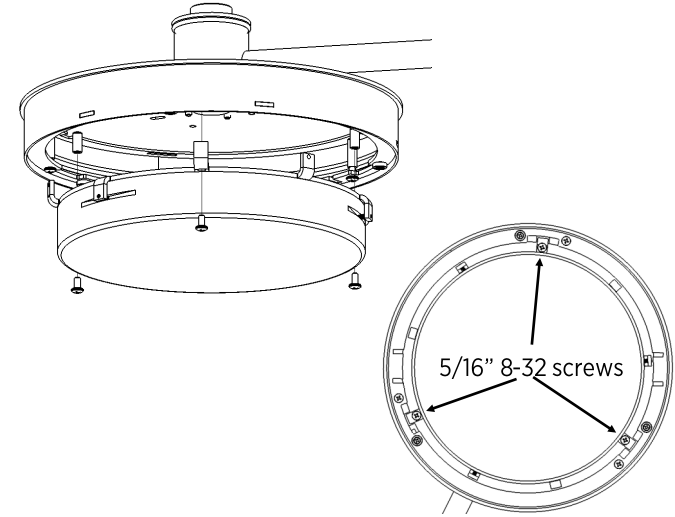
Step 10: Unscrew the Top Hat motifs from the top of each of the arm housings. Attach each of the Light Housings to the ends of the arms with the Décor Plates placed in between using the 1/2" 8-32 screws from the hardware pack. Make sure **red and black wires** leaving the light body are run through center holes in Light Housings. Replace the Top Hats.



Step 11: Attach each loose wire in Light Housings to appropriate Wago attached to light strip. **Red to Red and Black to**



Step 12: Install appropriate Glass Discs to Light Housings using the 5/16" 8-32 screws from the hardware pack..



Step 13: Reinstall the snap-on bezels to the Light Housings they were removed from.

