

About Hammerton Studio

HAMMERTON STUDIO

When we introduced the Hammerton Studio brand in 2014, we saw an enormous opportunity to raise the bar in decorative lighting. In design, we wanted to lead rather than follow. In construction, we wanted to showcase Hammerton's renowned reverence for time-honored artisan craftsmanship and authentic materials. In performance, we wanted to provide highly reliable solutions that far exceeded industry norms for aesthetics, function, and quality. Based on the brand's dramatic growth and customer feedback, it's clear we are on the right track.

EXTRAORDINARY DESIGN VALUE IN ARTISAN GLASS & METALWORK

Hammerton began in 1995 as a blacksmith shop, but we've come a long way since then. Today we employ a world class team of metal artisans who are disciplined in a broad range of fabrication techniques and processes. We've also added in-house capabilities in blown, cast and kiln-fused glass, and today Hammerton operates one of the largest artisan glass production facilities in the U.S. With deep design and fabrication expertise at the intersection of glass and metalwork, we're laying the foundation for a new era of lighting innovation.

THE HAMMERTON HERITAGE

Our Hammerton Studio brand stands on the shoulders of more than a quarter century of experience pushing the boundaries of innovative custom lighting design. Each Hammerton Studio collection has been inspired by custom work our company has brought to life in collaboration with leading interior design professionals over the years. Built to your specifications, every fixture reflects the uncompromising design and attention to detail that is distinctly Hammerton.

A REPUTATION REFLECTED BY OUR CLIENTS

Hammerton fixtures are as extraordinary as the clients who purchase them, including Forbes 400 members, Fortune 500 leaders, award-winning entertainers, fashion and interior designers, sports legends, and leading luxury hospitality brands.

Hammerton Inc.
217 Wright Brothers Drive
Salt Lake City, UT 84116

801-973-8095 EXT: 4
www.hammerton.com

Warranty

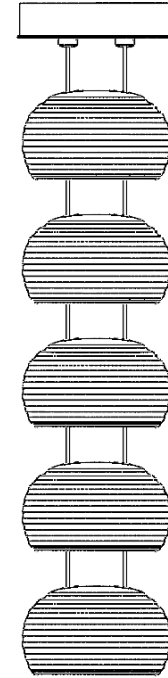
Please visit:
<https://studio.hammerton.com/lifetime-limited-warranty/>
to view the Hammerton Studio Warranty Policy

HAMMERTONSTUDIO™

Assembly Instructions

Torno Stairwell Pendant

Image below is a representation of applicable product collection



LAB0106-S1

WARNING: FAILURE TO INSTALL THIS FIXTURE PROPERLY MAY RESULT IN SERIOUS PERSONAL INJURY OR DEATH AND PROPERTY DAMAGE.

It is recommended that this product be installed by a licensed electrician.

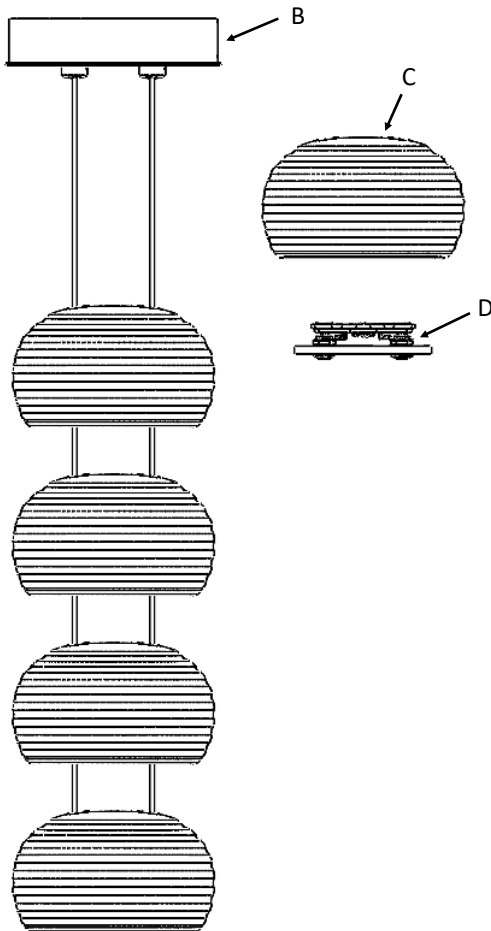
41-001-00344
Rev 1

Included Components

- A. Hardware Packet T, with Instructions
- B. Canopy
- C. Pendant Ceramic (QTY:5)
- D. Pendant Internals (QTY:5)

Required Tools

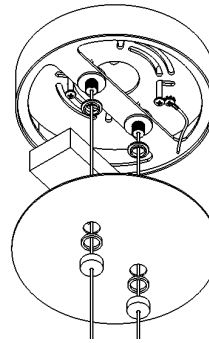
- 1. Phillips screw driver (not provided)
- 2. Wire cutters/strippers (not provided)
- 3. Measuring tape (not provided)
- 4. Level (not provided)
- 5. Marker (not provided)



CAUTION: CABLES ARE CONDUCTIVE. DO NOT POWER FIXTURE WHILE CABLES ARE IN CONTACT WITH ANY CONDUCTIVE SURFACE.

Assembly Instructions

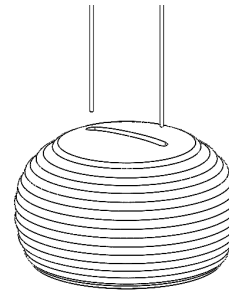
Step 1: Remove face plate from canopy by unscrewing the cable stop caps. The caps, face plate, and bushings, will slide down cables. Leave cables running through all parts. Lower the black driver out of canopy to access mounting holes.



Step 2: Mount Canopy to ceiling using Hardware Packet T and included instructions.

Warning: Source Power should be turned off. Failing to do so may result in damage to the fixture.

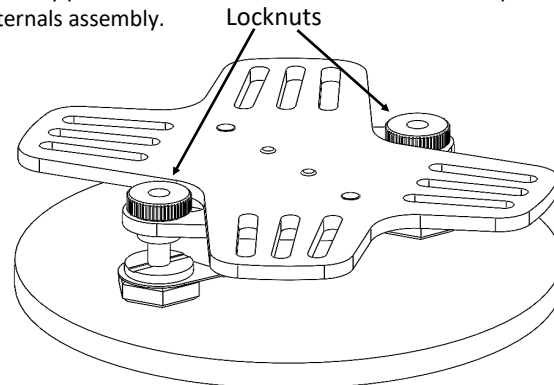
Step 3: Make wire connections to source power connecting white wire to white wire (Neutral) and Black wire to Black wire (hot). Ground canopy with the bare copper ground wire.



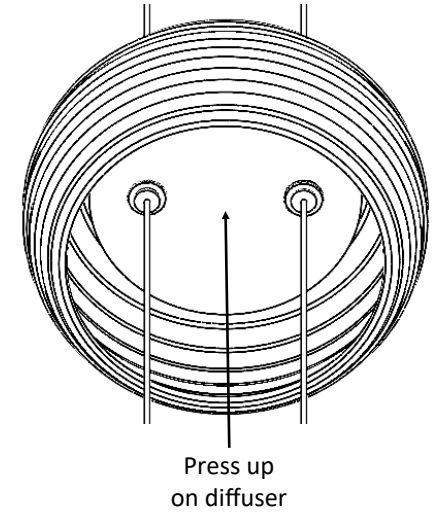
Step 4: Replace driver, bushings, face plate, and caps.

Step 5: Thread cables through the slot on the top of the ceramic part and place it in a safe location if possible.

Step 6: To install the pendant internals on the cables, loosen the two knurled locknuts on the top of the assembly so the gripper plungers can be pressed down, but don't remove them completely. Each cable will be marked with a numbered tag (1,2). Each cable should be inserted into the gripper labeled with the same number. Insert the cables through the grippers and pull the cable through. Without tightening the locknuts yet, carefully place the ceramic on top of the



Step 7: To adjust the position of the pendants, press up on the diffuser on the bottom of the internals assembly while holding the ceramic steady. Depressing the diffuser will release the grippers, allowing the cables to slide freely through the pendant. While depressing the diffuser, adjust the pendant to the desired location. Release the diffuser to re-engage the grippers, and the pendant will remain in place.



Step 8: Once the pendant is in the desired location, lift up the ceramic and tighten the locknuts to lock the pendant in place. Carefully lower the ceramic back onto the internal assembly and position it so it sits level.

Step 9: Repeat steps 5-8 for each pendant.

Step 10: On the bottom pendant, use a marker to mark the cables flush with the bottom of the grippers when in the desired position. Then, adjust the pendant up away from the marking and trim the cable 1/8" to 1/4" above the mark. Lower the pendant back down to the desired position and tighten the locknuts. The trimmed end of the cable should sit just within the gripper body. Be careful to not let the cable come out of the gripper. Once cut, cables can fray easily and can be difficult to get back in the gripper.

Trimmed end sits just within gripper

