



Iris 5-Piece Multi-pendant

Finishes



Burnished
Bronze (BB)



Beige Silver
(BS)



Classic
Silver (CS)



Flat Bronze
(FB)



Gilded Brass
(GB)



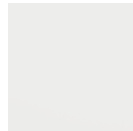
Graphite
(GP)



Matte Black
(MB)



Novel Brass
(NB)



Salt White
(WI)

Glass Options



Cast Glass
Clear (GL)

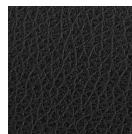
Accent



Nutmeg
Leather
(L01)



Cocoa
Leather
(L02)



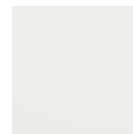
Licorice
Leather
(L03)



Matching
(00)



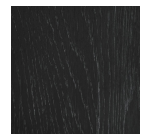
Matte Black
(MB)



Salt White
(WI)



Light Oak
Wood (W01)



Dark Oak
Wood (W02)



Ash Wood
(W03)

Product Notes - PLEASE READ:

- All Hammerton Studio fixtures are handcrafted by artisans. Subtle imperfections reflect the mark of the maker and should be expected.
- This product may incorporate both steel and aluminum material. Transparent finishes may vary between steel and aluminum components.
- Products incorporating artisan blown and cast glass may create dramatic patterns of light and shadow on surrounding surfaces. While this is often desirable, shadowing can be minimized by adding recessed ceiling light to the installation area.

[Scan for Product & Install Info](#)

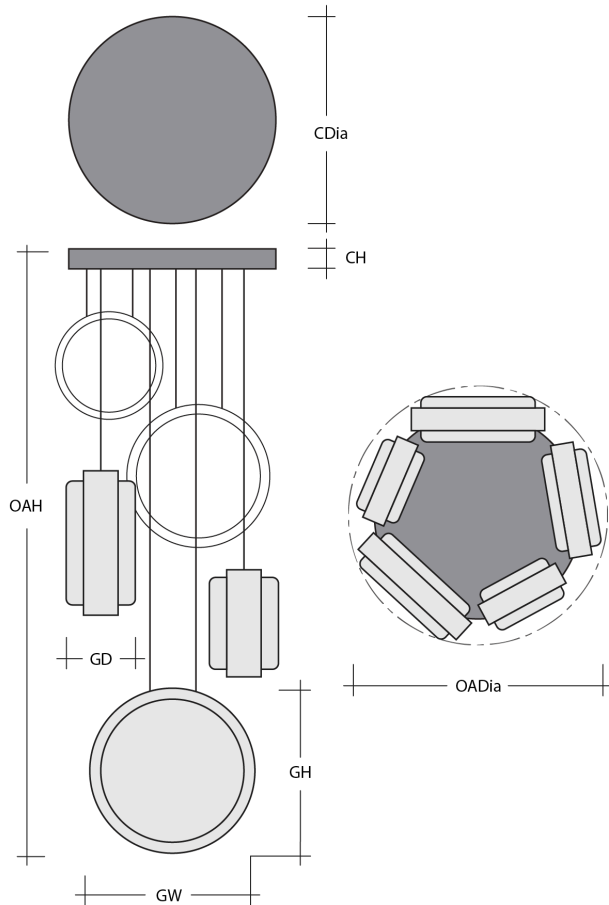


General Notes:

- Visit studio.hammerton.com to read our complete warranty.
- All dimensions are in inches unless otherwise noted. Dimensions may vary up to 7/8".

Revision date: 2025-12-23

Iris 5-Piece Multi-pendant



Product Dimensions *Dimensions may vary up to 7/8"*

Overall Height	OAH	15 – 120 in
Overall Diameter	OADia	20 in
Canopy Height	CH	1.7 in
Canopy Diameter	CDia	16.5 in

Glass Dimensions

Glass Depth	GD	2.63 in
Large Qty		2
Large Glass Height	GH	12 in
Large Glass Width	GW	12 in
Medium Qty		2
Medium Glass Height	GH	10.25 in
Medium Glass Width	GW	10.25 in
Small Qty		1
Small Glass Height	GH	8 in
Small Glass Width	GW	8 in

Electrical

Bulb/Lamping Qty	5
Bulb/Lamping Type	LED
Wattage	38.5 watts
Voltage	120 volts
Total Source Lumens	3390 lumens
Dimming Type	TRIAC/ELV
Correlated Color Temp: CCT	2700K or 3000K
Color Rendering Index: CRI	93+
Certification	ETL

Installation & Mounting

Weight: Lbs	105 lbs
Mounting Type	Structural
Suspension Type	Cable
Flat or Sloped	Flat
Location	Indoor/Dry

Other Information

Warranty	See Website
----------	-------------

Project Notes

Name:

Location:

Quantity:

Finish Color:

Glass Color:

Notes: