



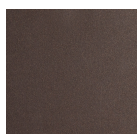
Delphine 58" Triple Tier Ring

The Delphine balances strength with feminine softness, inspired by organic forms and the graceful lines of French architecture. It honors Hammerton's blacksmithing heritage through hand-hammered textures and forged metalwork that cast reflected light in a bold new look. Available in select metallic and translucent finishes in 48" and 58" diameters.

Finishes



Beige Silver
(BS)



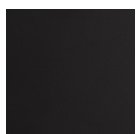
Flat Bronze
(FB)



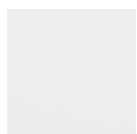
Gilded Brass
(GB)



Graphite
(GP)



Matte Black
(MB)



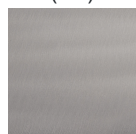
Salt White
(WI)



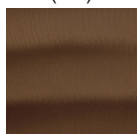
Gunmetal
(GM)



Heritage
Brass (HB)



Satin Nickel
(SN)



Oil Rubbed
Bronze (RB)

Accent



Matching
Panel (000)

Product Notes - PLEASE READ:

- All Hammerton Studio fixtures are handcrafted by artisans. Subtle imperfections reflect the mark of the maker and should be expected.
- This product may incorporate both steel and aluminum material. Transparent finishes may vary between steel and aluminum components.
- Products incorporating artisan blown and cast glass may create dramatic patterns of light and shadow on surrounding surfaces. While this is often desirable, shadowing can be minimized by adding recessed ceiling light to the installation area.

General Notes:

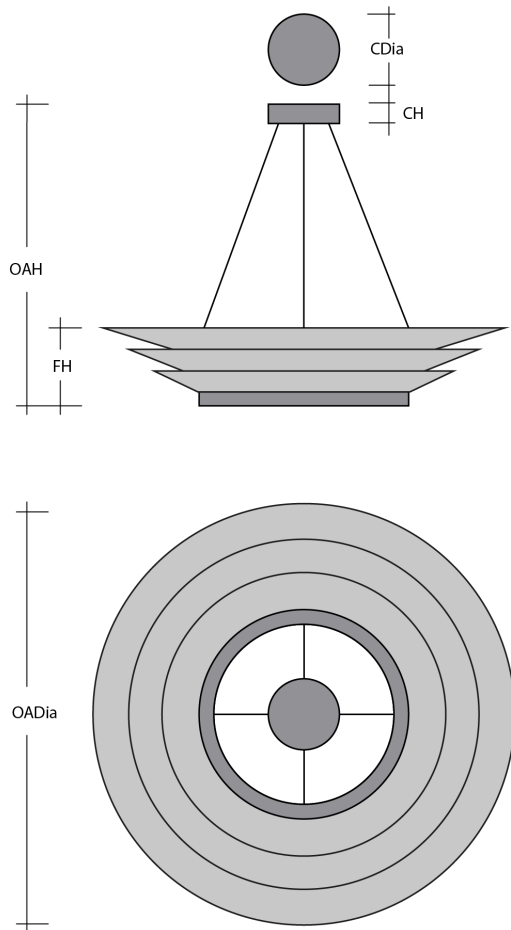
- Visit studio.hammerton.com to read our complete warranty.
- All dimensions are in inches unless otherwise noted. Dimensions may vary up to 7/8".

Revision date: 2025-12-15

Scan for Product &
[Install Info](#)



Delphine 58" Triple Tier Ring



Product Dimensions *Dimensions may vary up to 7/8"*

Overall Height	OAH	18.1 – 120 in
Overall Diameter	OADia	61.4 in
Canopy Height	CH	1.9 in
Canopy Diameter	CDia	10.5 in
Fixture Height	FH	5.8 in

Electrical

Bulb/Lamping Qty	3
Wattage	81 watts
Voltage	24 volts
Total Source Lumens	6570 lumens
Dimming Type	TRIAC/ELV
Correlated Color Temp: CCT	2700K or 3000K
Color Rendering Index: CRI	93+
Certification	ETL

Installation & Mounting

Weight: Lbs	78 lbs
Mounting Type	Structural
Suspension Type	Coax/Cable
Flat or Sloped	Flat
Location	Indoor/Dry

Other Information

Warranty	See Website
----------	-------------

Project Notes

Name:

Location:

Quantity:

Finish Color:

Glass Color:

Notes: