



Iris 3-Piece Hub and Spoke Round

Finishes



Burnished Bronze (BB)



Beige Silver (BS)



Classic Silver (CS)



Flat Bronze (FB)



Gilded Brass (GB)



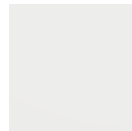
Graphite (GP)



Matte Black (MB)



Novel Brass (NB)



Salt White (WI)

Glass Options



Cast Glass
Clear (GL)

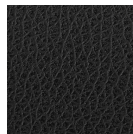
Accent



Nutmeg
Leather
(L01)



Cocoa
Leather
(L02)



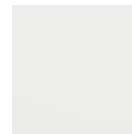
Licorice
Leather
(L03)



Matching
(00)



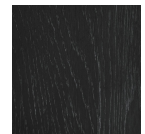
Matte Black
(MB)



Salt White
(WI)



Light Oak
Wood (W01)



Dark Oak
Wood (W02)



Ash Wood
(W03)

Product Notes - PLEASE READ:

- All Hammerton Studio fixtures are handcrafted by artisans. Subtle imperfections reflect the mark of the maker and should be expected.
- This product may incorporate both steel and aluminum material. Transparent finishes may vary between steel and aluminum components.
- Products incorporating artisan blown and cast glass may create dramatic patterns of light and shadow on surrounding surfaces. While this is often desirable, shadowing can be minimized by adding recessed ceiling light to the installation area.

General Notes:

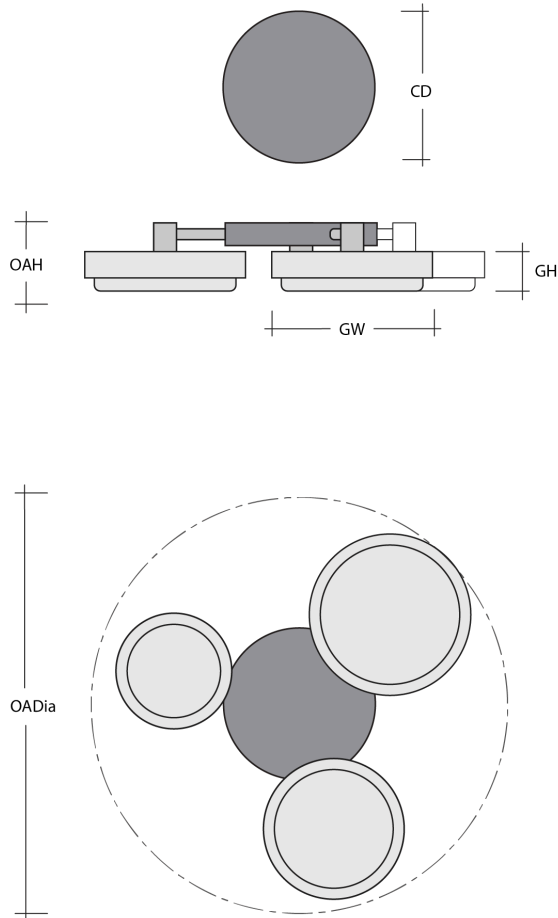
- Visit studio.hammerton.com to read our complete warranty.
- All dimensions are in inches unless otherwise noted. Dimensions may vary up to 7/8".

Revision date: 2025-12-23

Scan for Product &
[Install Info](#)



Iris 3-Piece Hub and Spoke Round



Product Dimensions *Dimensions may vary up to 7/8"*

| | | |
|------------------|-------|---------|
| Overall Height | OAH | 3.35 in |
| Overall Diameter | OADia | 28.5 in |
| Canopy Diameter | CDia | 6 in |

Glass Dimensions

| | | |
|--------------------|----|----------|
| Glass Height | GH | 2.16 in |
| Large Qty | | 1 |
| Large Glass Width | GW | 12 in |
| Medium Qty | | 1 |
| Medium Glass Width | GW | 10.25 in |
| Small Qty | | 1 |
| Small Glass Width | GW | 8 in |

Electrical

| | |
|----------------------------|----------------|
| Bulb/Lamping Qty | 3 |
| Bulb/Lamping Type | LED |
| Wattage | 22 watts |
| Voltage | 120 volts |
| Total Source Lumens | 1945 lumens |
| Dimming Type | TRIAC/ELV |
| Correlated Color Temp: CCT | 2700K or 3000K |
| Color Rendering Index: CRI | 93+ |
| Certification | ETL |

Installation & Mounting

| | |
|-------------------|------------|
| Weight: Lbs | 41 lbs |
| Mounting Type | J-Box |
| Flat or Sloped | Sloped |
| Slope Orientation | All |
| Location | Indoor/Dry |

Other Information

| | |
|----------|-------------|
| Warranty | See Website |
|----------|-------------|

Project Notes

Name:

Location:

Quantity:

Finish Color:

Glass Color:

Notes: