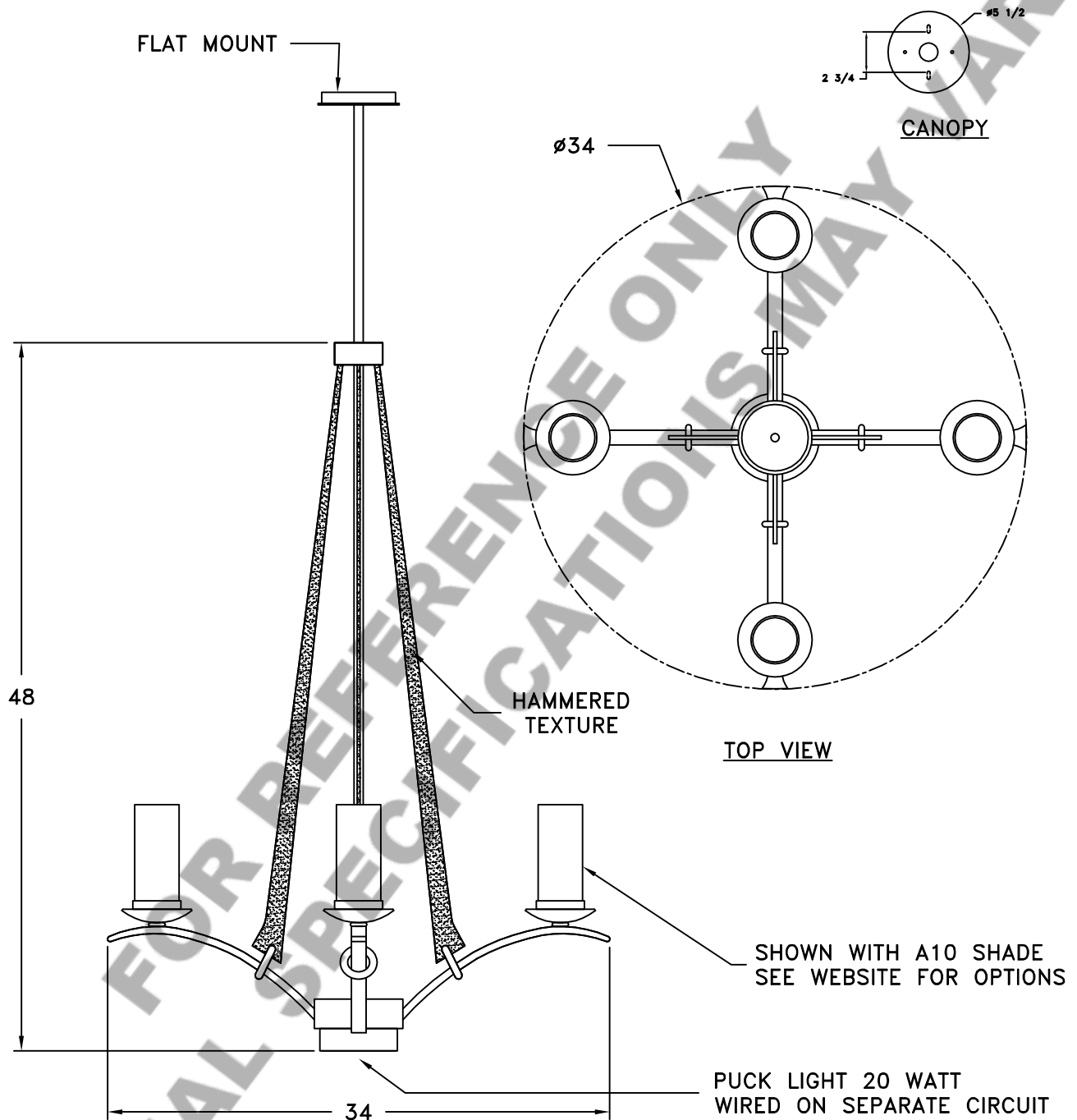


Location:

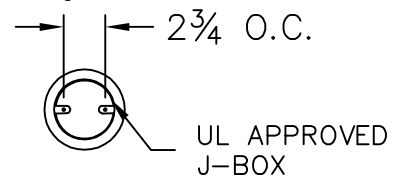
Product #: CH2052



Visit [hammerton.com](http://hammerton.com) for product options and specifications.

Mounting Style: J	Electrical Type: INCANDESCENT
Approximate lbs.: 30	Bulb Qty: 4 Wattage: SEE SHADE
Finish: SEE WEB SITE FOR OPTIONS	Voltage: 120
Top Diffuser: N/A	Socket Type: CANDELABRA
Bottom Diffuser: N/A	UL Location: DRY

**Mounting Detail**



**CAUTION**

HARDWARE PACKET "J"  
MOUNTS DIRECTLY TO  
J-BOX.

All fixtures created by Hammerton are handcrafted by artisans. Dimensions may vary up to 1/8".

©Copyright 2013. All rights in design, detail or invention of this drawing are reserved as the property of Hammerton. Any imitation or adaptation without written consent is strictly prohibited.

Hammerton Inc. · 217 Wright Brothers Dr. · Salt Lake City, UT 84116 · (801) 973-8095