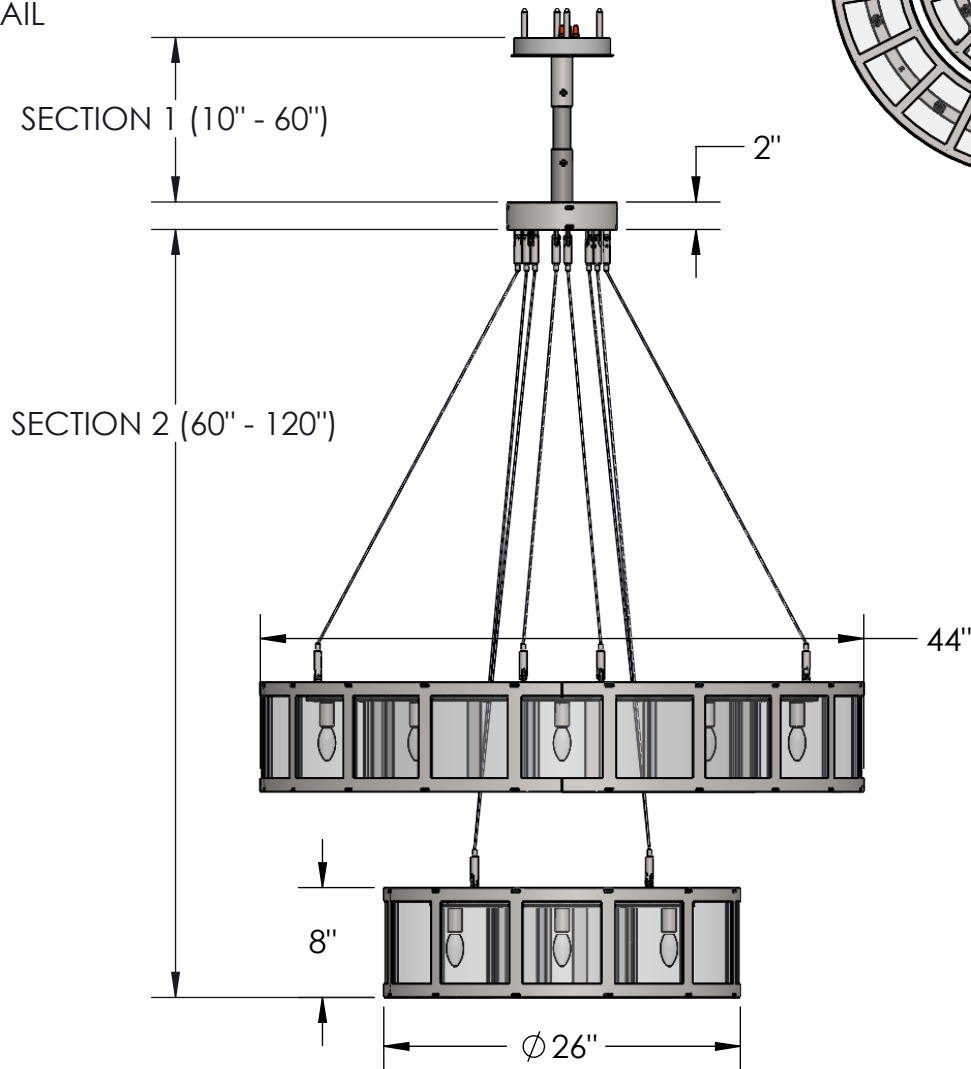
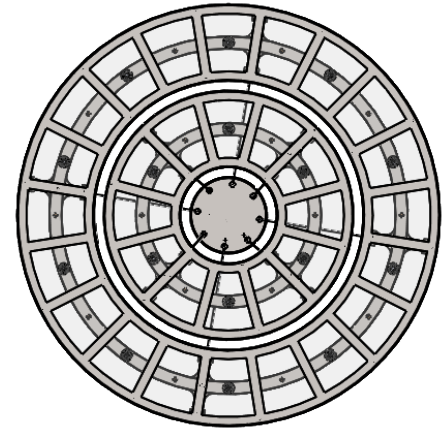
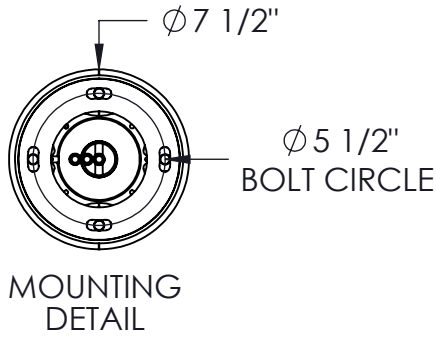


Approved By:

Product #: CH2249-M

Date: 12/5/2024



Mounting Style: FLAT

Electrical Type: LED RETROFIT

Approximate lbs.: 158

Bulb Qty: 16 Wattage: 13

Finish: SEE TRAVELER

Voltage: 120

Top Diffuser: OPEN

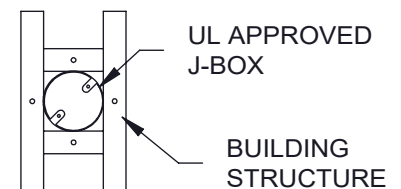
Socket Type: E12

Bottom Diffuser: SAME AS LENS

UL Location: DRY

All fixtures created by Hammerton are handcrafted by artisans-dimensions may vary.

Mounting Detail



**CAUTION**

HARDWARE PACKET "A" MOUNTS DIRECTLY TO BUILDING STRUCTURE.

Copyright 2024. All rights in design, detail or invention of this drawing are reserved as the property of Hammerton. Any imitation or adaptation without written consent is strictly prohibited.

Hammerton Inc. 217 Wright Brothers Dr. Salt Lake City, UT 84116 (801) 973-8095