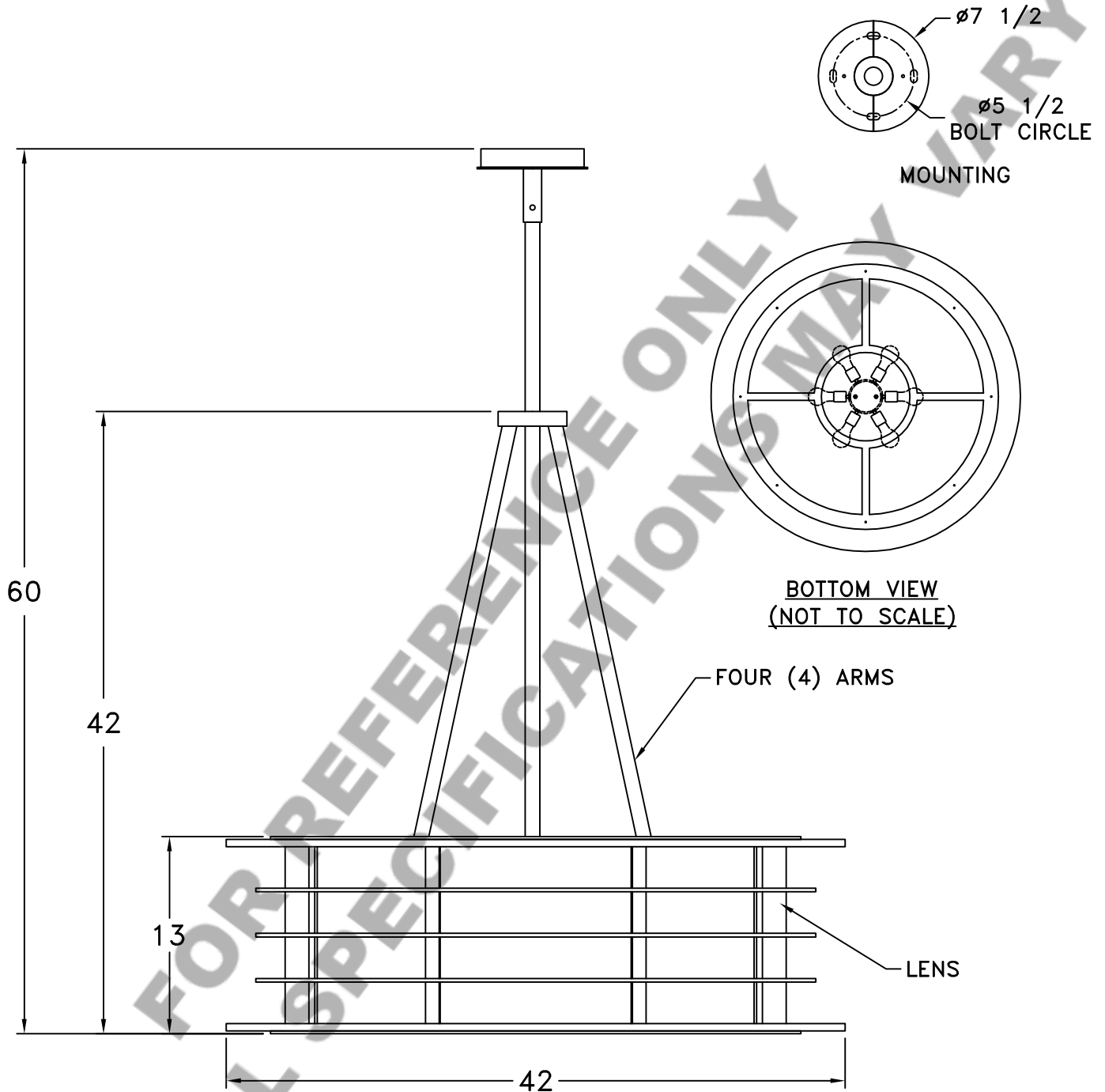


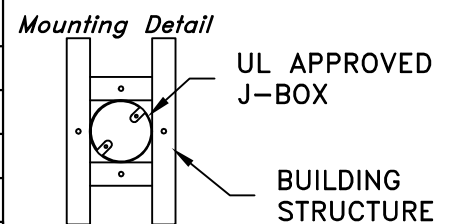
Location:

Product #: CH2254-M



Visit [hammerton.com](http://hammerton.com) for product options and specifications.

Mounting Style: FLAT	Electrical Type: INCANDESCENT
Approximate lbs.: 400	Bulb Qty: 6 Wattage: 75
Finish: SEE WEB SITE FOR OPTIONS	Voltage: 120
Top Diffuser: OPEN	Socket Type: MEDIUM
Bottom Diffuser: SAME AS LENS	UL Location: DRY



**CAUTION**

HARDWARE PACKET "A" MOUNTS DIRECTLY TO BUILDING STRUCTURE.

All fixtures created by Hammerton are handcrafted by artisans. Dimensions may vary up to 7/8".

©Copyright 2016. All rights in design, detail or invention of this drawing are reserved as the property of Hammerton. Any imitation or adaptation without written consent is strictly prohibited.