

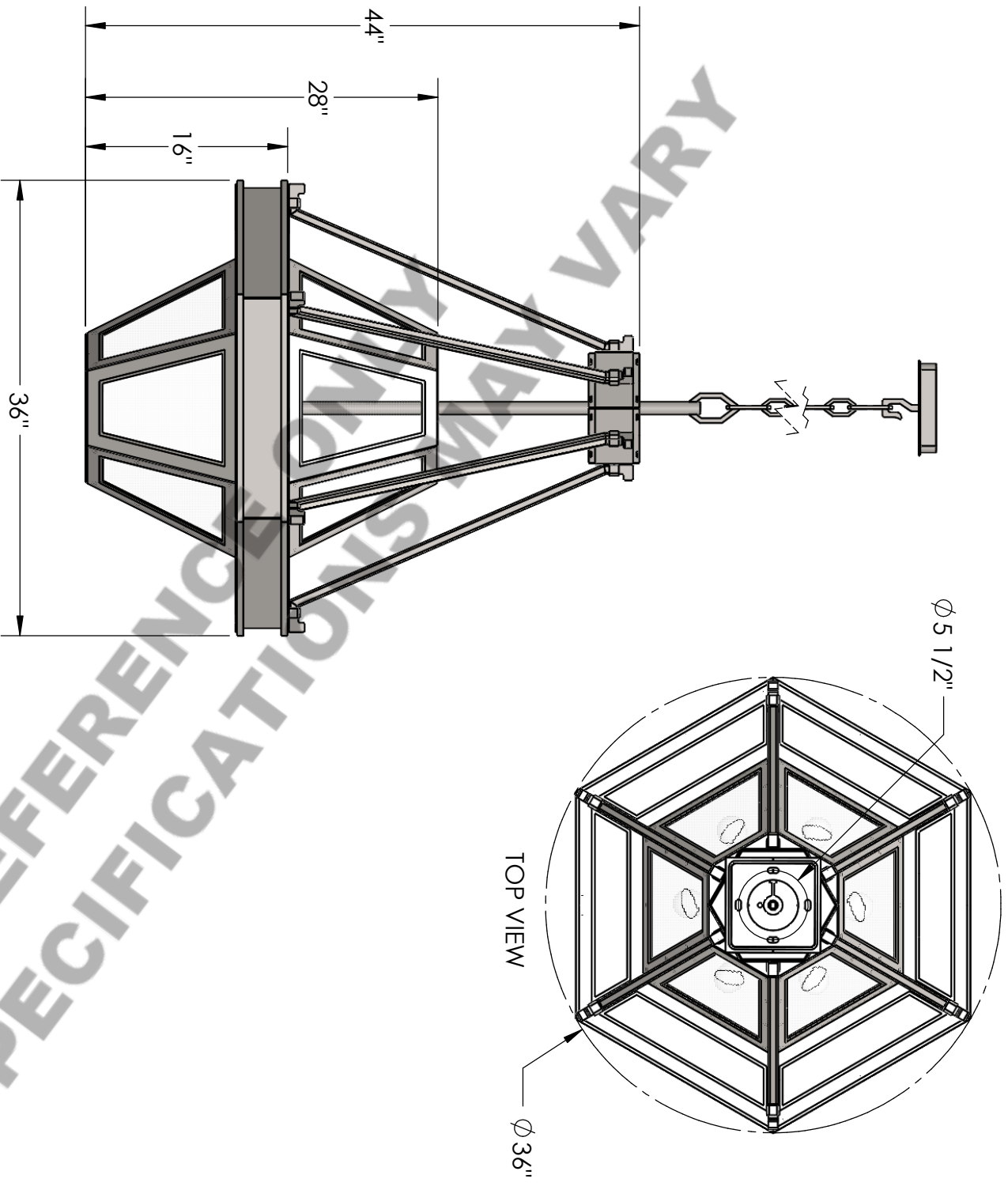
HAMMERTON

SPECIFICATION DRAWING

Approved By:

Product #: CH8060

Date:9/28/2016



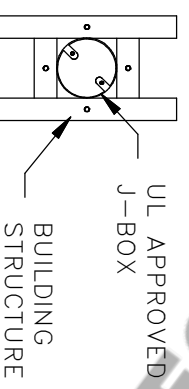
Mounting Style: FLAT	Electrical Type: INCANDESCENT
Approximate lbs.: 139	Bulb Qty: 6 Wattage: 75
Finish:SEE WEBSITE FOR OPTIONS	Voltage:120
Top Diffuser: CLOSED	Socket Type:MEDIUM
Bottom Diffuser:SAME AS LENS	UL Location: DRY

All fixtures created by Hammerton are handcrafted by artisans—dimensions may vary.

© Copyright 2015. All rights in design, detail or invention of this drawing are reserved as the property of Hammerton. Any imitation or adaptation without written consent is strictly prohibited.

Hammerton Inc. • 217 Wright Brothers Dr. Salt Lake City, UT 84116 (801) 973-8095

Mounting Detail



CAUTION

HARDWARE PACKET "A"
MOUNTS DIRECTLY TO BUILDING
STRUCTURE.