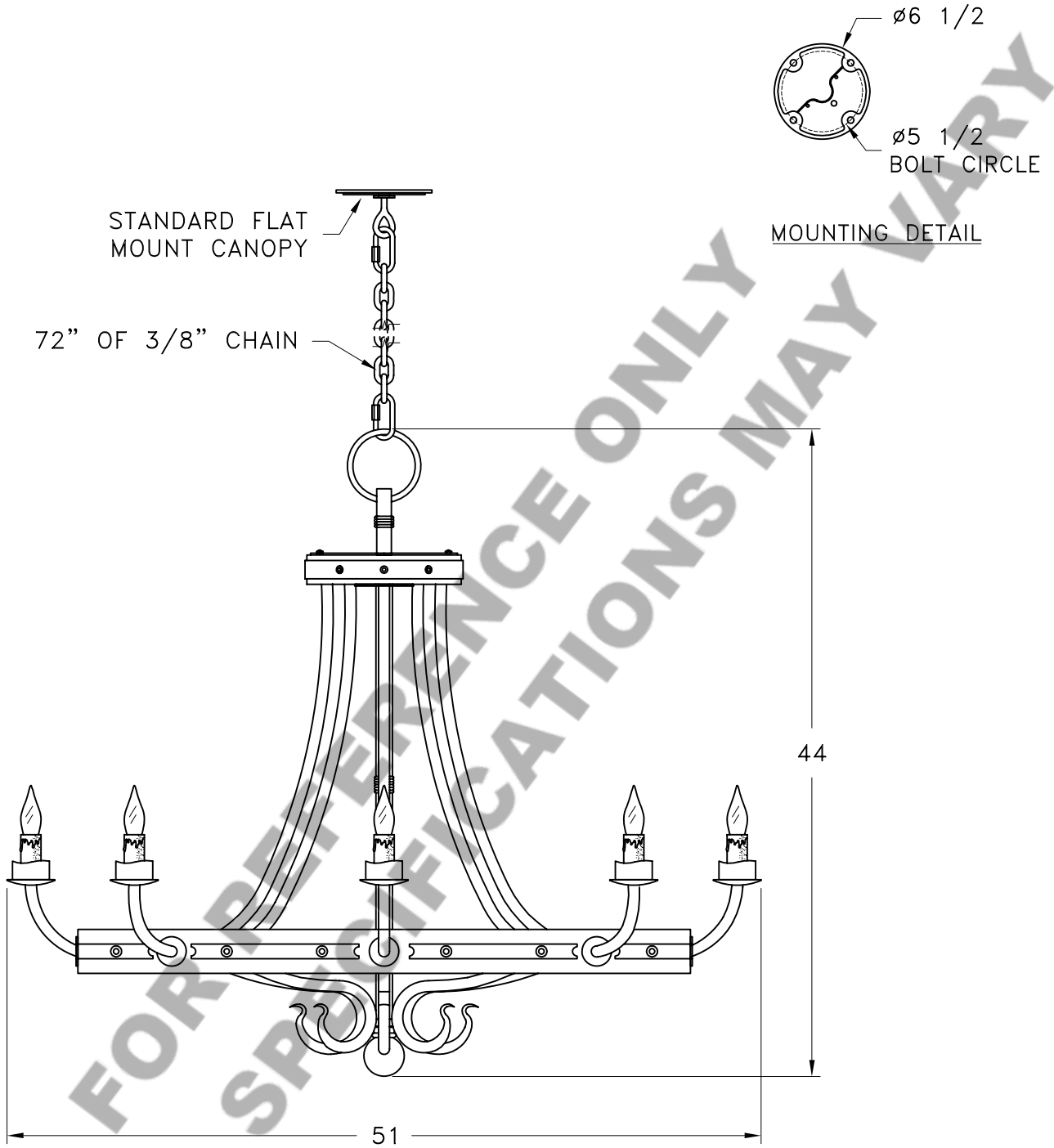
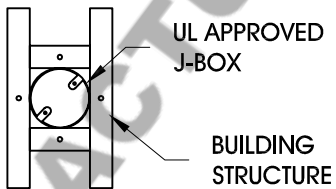


# HAMMERTON



## MOUNTING SPECIFICATION NOTES:



### CAUTION

HARDWARE PACKET "A" MOUNTS DIRECTLY TO BUILDING STRUCTURE.

## ELECTRICAL SPECIFICATION NOTES:



ELECTRICAL: 8-40 WATT MAX  
 EDISON BASE  
 120v TYPICAL

Light Bulb NOT Included

CATALOG # CH9036-M

APPROXIMATE WEIGHT: 100 Lbs.

HARDWARE PACKET: A

SHADE MATERIAL : N/A

UL RATING: DRY

DIMENSION TOLERANCE ± 7/8".

[www.hammerton.com](http://www.hammerton.com)

© Copyright 2006, All rights in design, detail or invention of this drawing are reserved as the property of Hammerton. Any imitation or adaptation without written consent is strictly prohibited.