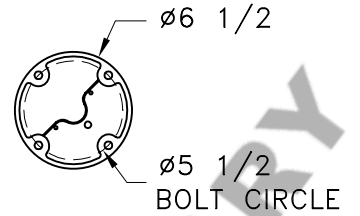
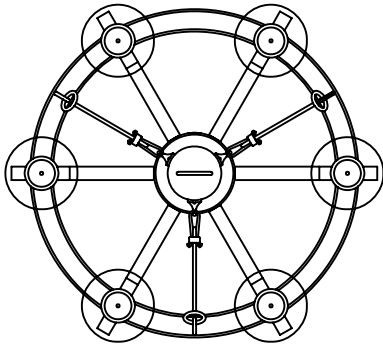


HAMMERTON



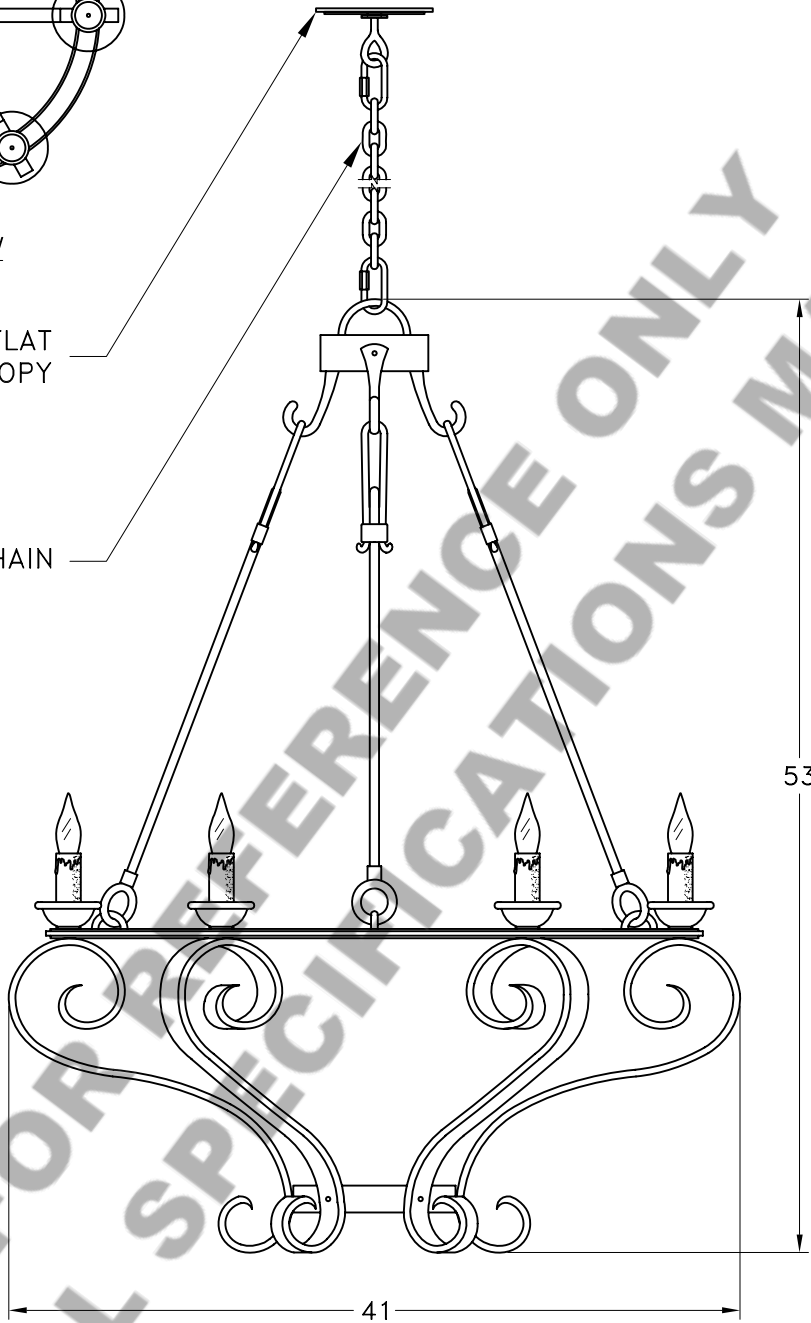
MOUNTING DETAIL



TOP VIEW

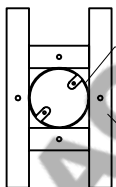
STANDARD FLAT MOUNT CANOPY

72" OF 3/8" CHAIN



FOR REFERENCE ONLY SPECIFICATIONS MAY VARY

MOUNTING SPECIFICATION NOTES:



UL APPROVED J-BOX

BUILDING STRUCTURE

CAUTION

HARDWARE PACKET "A" MOUNTS DIRECTLY TO BUILDING STRUCTURE.

ELECTRICAL SPECIFICATION NOTES:



**ELECTRICAL: 6 - 40 WATT MAX
EDISON BASE
120v TYPICAL**

Light Bulb NOT Included

CATALOG # CH9110

APPROXIMATE WEIGHT: 65 Lbs.

HARDWARE PACKET: A

SHADE MATERIAL : N/A

UL RATING: DRY

DIMENSION TOLERANCE $\pm 7/8"$.

www.hammerton.com

© Copyright 2006, All rights in design, detail or invention of this drawing are reserved as the property of Hammerton. Any imitation or adaptation without written consent is strictly prohibited.