

# HAMMERTON

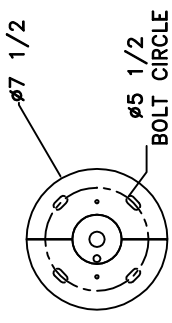
# SPECIFICATION DRAWING

Location:

Product #: CH9188

STANDARD CANOPY  
FLAT MOUNT

3/8" CHAIN



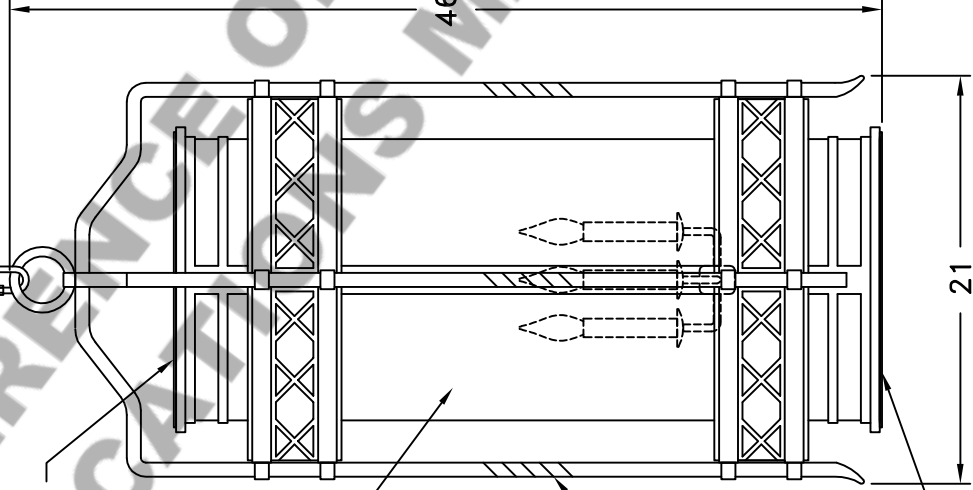
MOUNTING

OPEN

LEN

STANDARD  
FINISH

OPEN



WO: 48714  
POLISH C  
D-1 DISTRESS

Visit [hammertron.com](http://hammertron.com) for product options and specifications.

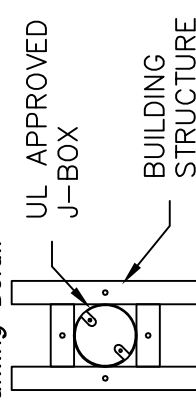
Mounting Style: A	Electrical Type: INCANDESCENT
Approximate lbs.: 75	Bulb Qty: 4 Wattage: 40
Finish: SEE WEB SITE FOR OPTIONS	Voltage: 120
Top Diffuser: OPEN	Socket Type: E12
Bottom Diffuser: OPEN	UL Location: DRY

All fixtures created by Hammertron are handcrafted by artisans. Dimensions may vary up to 1/8".

© Copyright 2016. All rights in design, detail or invention of this drawing are reserved as the property of Hammertron. Any imitation or adaptation without written consent is strictly prohibited.

Hammertron Inc. · 217 Wright Brothers Dr. · Salt Lake City, UT 84116 · (801) 973-8095

Mounting Detail



CAUTION

HARDWARE PACKET "A"  
MOUNTS DIRECTLY TO  
BUILDING STRUCTURE.