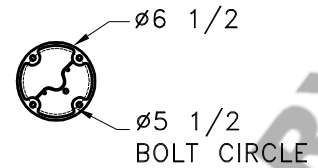
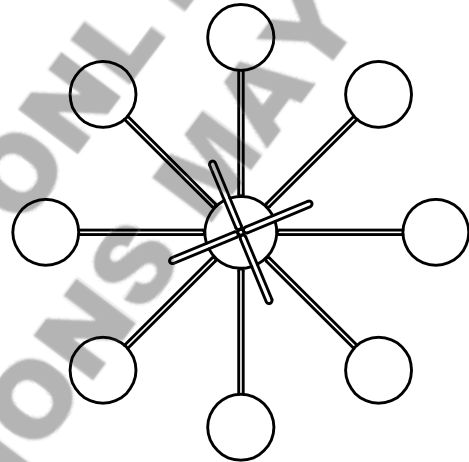


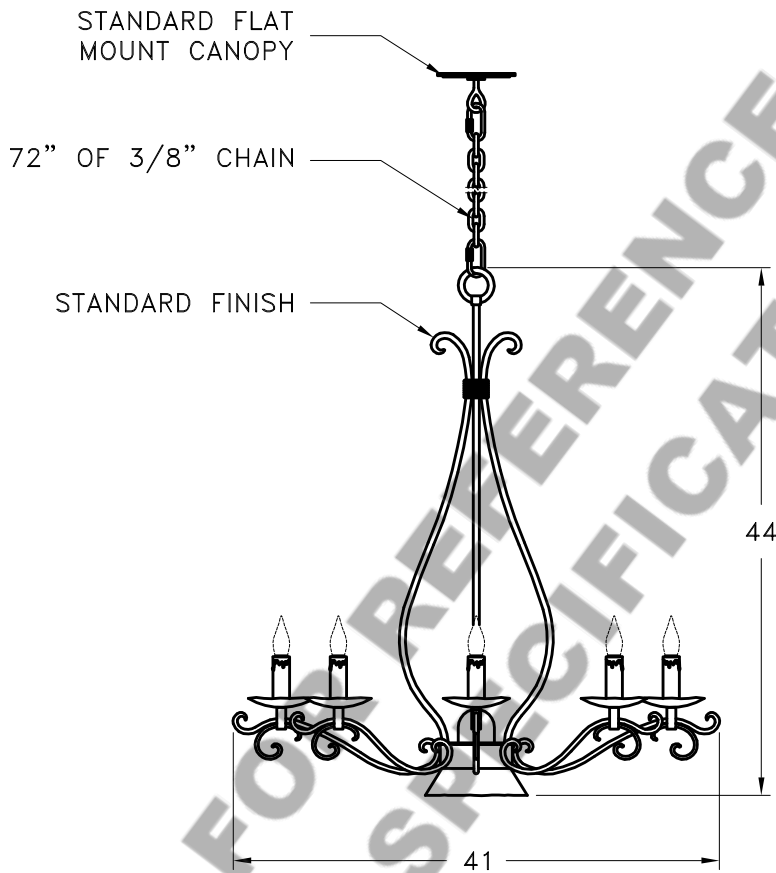
HAMMERTON



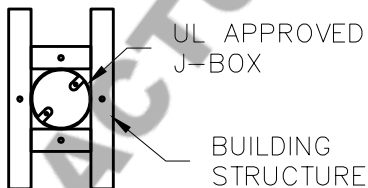
MOUNTING DETAIL



TOP VIEW



MOUNTING SPECIFICATION NOTES:



CAUTION
HARDWARE PACKET "A"
MOUNTS DIRECTLY TO
BUILDING STRUCTURE.

ELECTRICAL SPECIFICATION NOTES:



ELECTRICAL:
8 - 40 WATT MAX
CANDELABRA BASE
120v TYPICAL



ELECTRICAL:
1 - 60 WATT MAX
EDISON BASE
120v TYPICAL

Light Bulb NOT Included

CATALOG # CH9208

APPROXIMATE WEIGHT: 170 Lbs.

HARDWARE PACKET: A

SHADE MATERIAL : N/A

UL RATING: DRY

DIMENSION TOLERANCE $\pm 7/8"$.

www.hammerton.com

© Copyright 2006, All rights in design, detail or invention of this drawing are reserved as the property of Hammerton. Any imitation or adaptation without written consent is strictly prohibited.