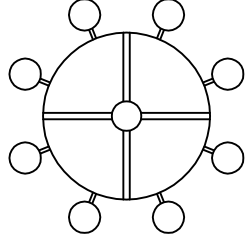
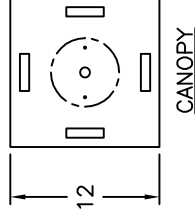


HAMMERTON

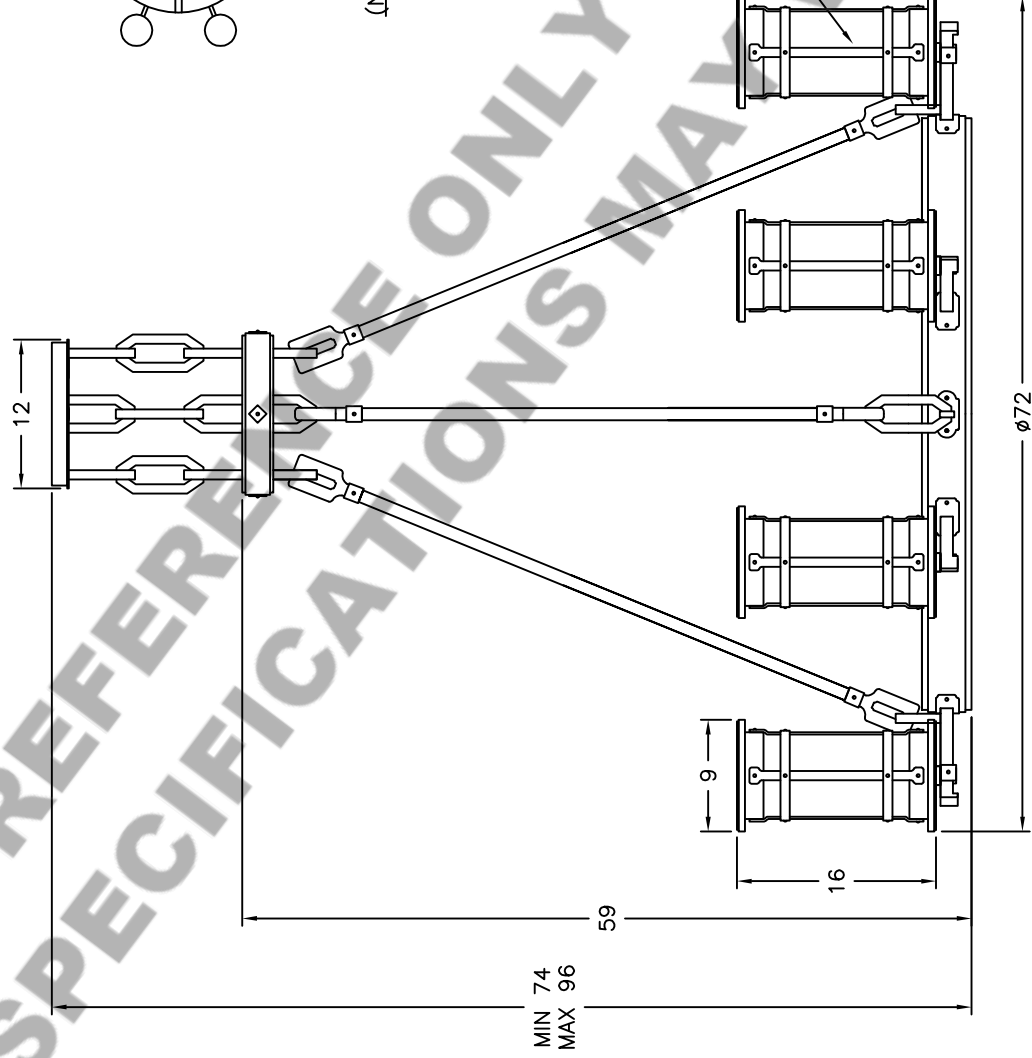
SPECIFICATION DRAWING

Location:

Product #: CH9283



TOP VIEW
(NOT TO SCALE)

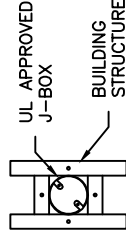


Visit hammertron.com for product options.

Mounting Packet: A	Electrical Type: INCANDESCENT	Mounting Detail
Approximate lbs.: 550	Bulb Qty: 8 Wattage: 75	
Finish: SEE WEB SITE FOR OPTIONS	Voltage: 120	
Top Diffuser: SAME AS LENS	Socket Type: E26	
Bottom Diffuser: FINE MESH	UL Location: DAMP	

All fixtures created by Hammertron are handcrafted by artisans. Dimensions may vary up to 7/8".
©Copyright 2018. All rights in design, detail or invention of this drawing are reserved as the property of Hammertron. Any limitation or adaptation without written consent is strictly prohibited.

Hammertron Inc. · 217 Wright Brothers Dr. · Salt Lake City, UT 84116 · (801) 973-8095



CAUTION
HARDWARE PACKET "A"
MOUNTS DIRECTLY TO
BUILDING STRUCTURE.