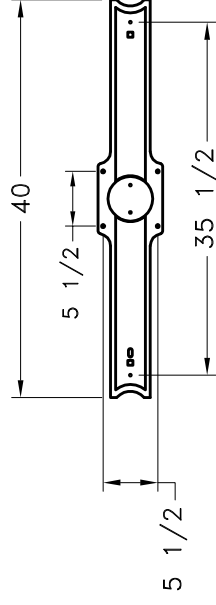


# HAMMERTON

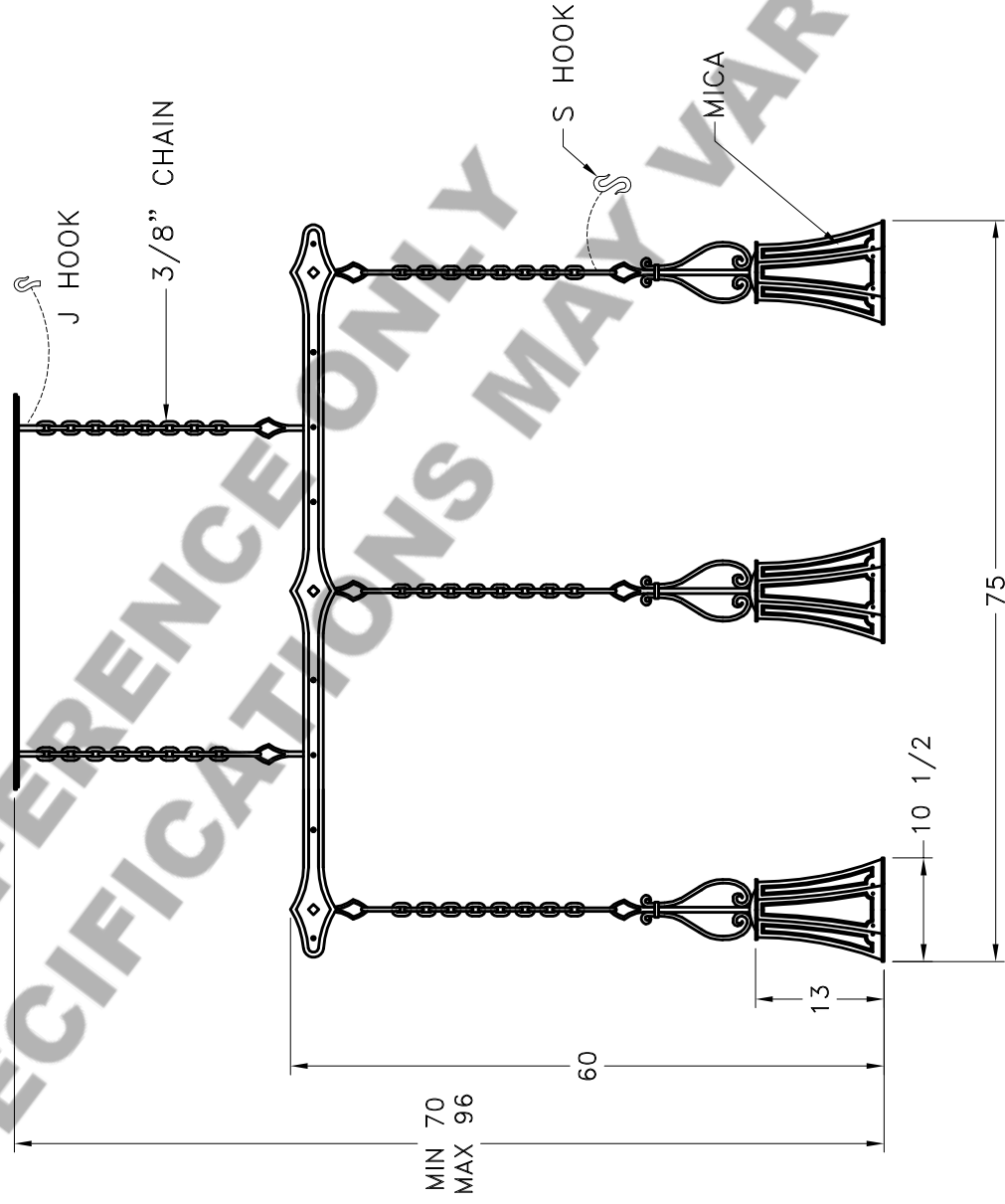
## SPECIFICATION DRAWING

Location:

Product #: CH9287



CANOPY



Visit [hammerton.com](http://hammerton.com) for product options.

Mounting Packet: B	Electrical Type: INCANDESCENT	Mounting Detail
Approximate lbs.: 120	Bulb Qty: 3 Wattage: 60	<p>UL APPROVED J-BOX BUILDING STRUCTURE CAUTION HARDWARE PACKET #B- MOUNTS DIRECTLY TO BUILDING STRUCTURE.</p>
Finish: SEE WEB SITE FOR OPTIONS	Voltage: 120	
Top Diffuser: STEEL	Socket Type: E26	
Bottom Diffuser: OPEN	UL Location: DRY	

All fixtures created by Hammerton are handcrafted by artisans. Dimensions may vary up to 7/8".

©Copyright 2018. All rights in design, detail or invention of this drawing are reserved as the property of Hammerton. Any limitation or adaptation without written consent is strictly prohibited.

Hammerton Inc. · 217 Wright Brothers Dr. · Salt Lake City, UT 84116 · (801) 973-8095