

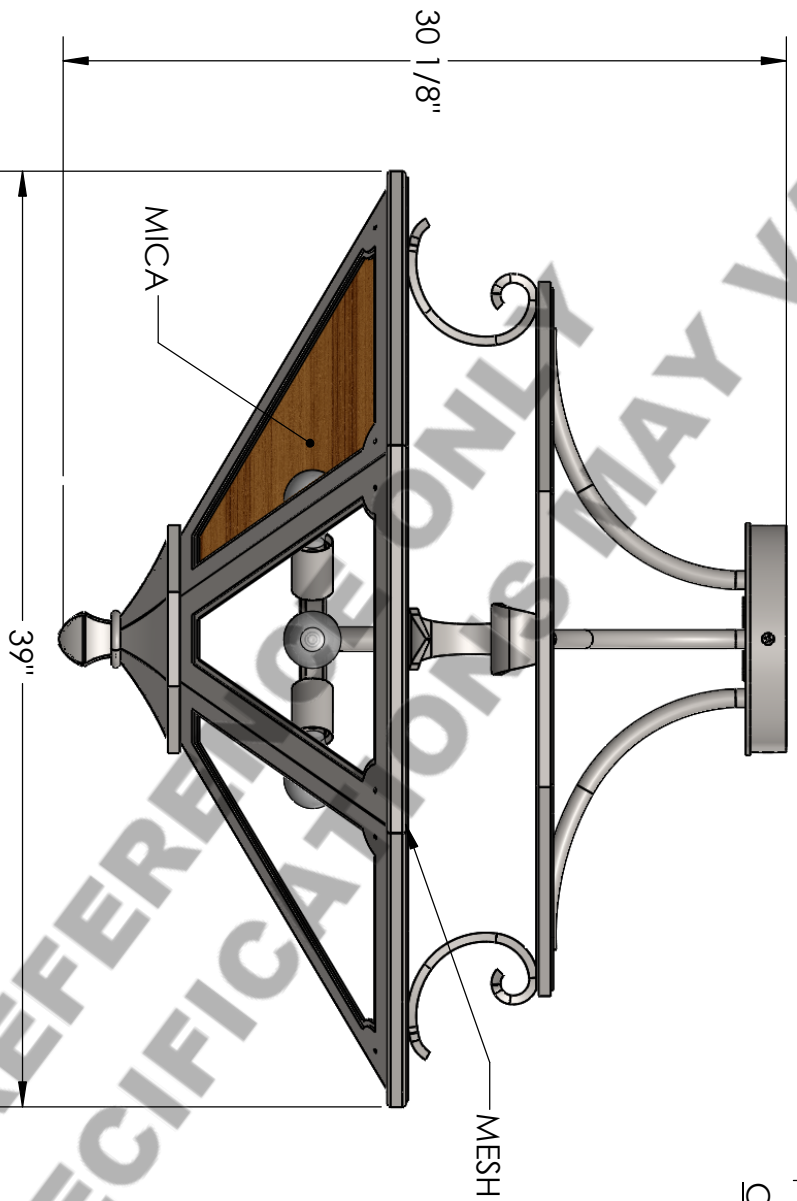
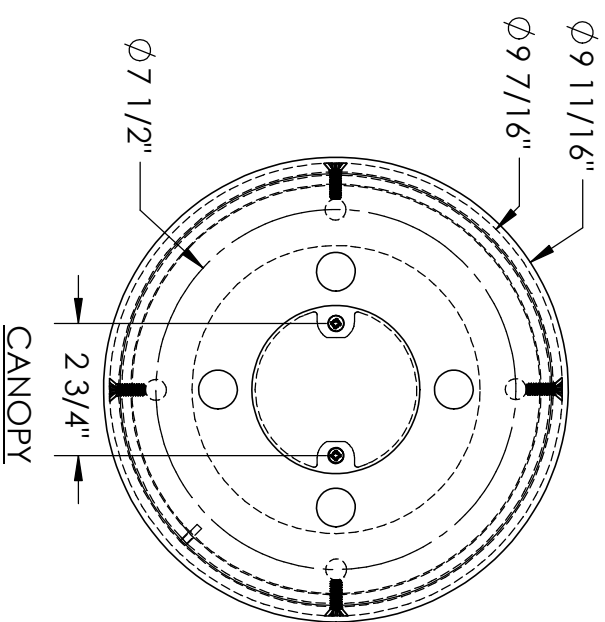
HAMMERTON

SPECIFICATION DRAWING

Approved By:

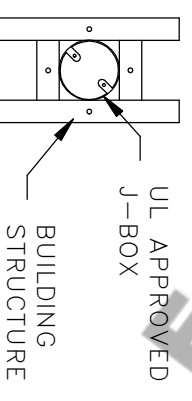
Product #: CL9210

Date:9/12/2016



Mounting Style: FLAT	Electrical Type: INCANDESCENT
Approximate lbs.: 165	Bulb Qty: 6 Wattage: 75
Finish: FLAT BRONZE	Voltage: 120
Top Diffuser: FINE MESH	Socket Type: MEDIUM
Bottom Diffuser: N/A	UL Location: DRY

Mounting Detail



CAUTION
HARDWARE PACKET "A"
MOUNTS DIRECTLY TO BUILDING
STRUCTURE.

All fixtures created by Hammeron are handcrafted by artisans—dimensions may vary.

© Copyright 2015. All rights in design, detail or invention of this drawing are reserved as the property of Hammeron. Any imitation or adaptation without written consent is strictly prohibited.

Hammeron Inc. • 217 Wright Brothers Dr. Salt Lake City, UT 84116 (801) 973-8095