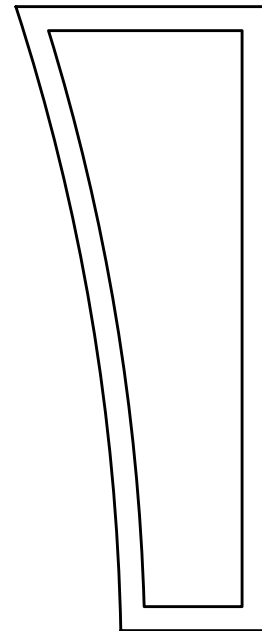
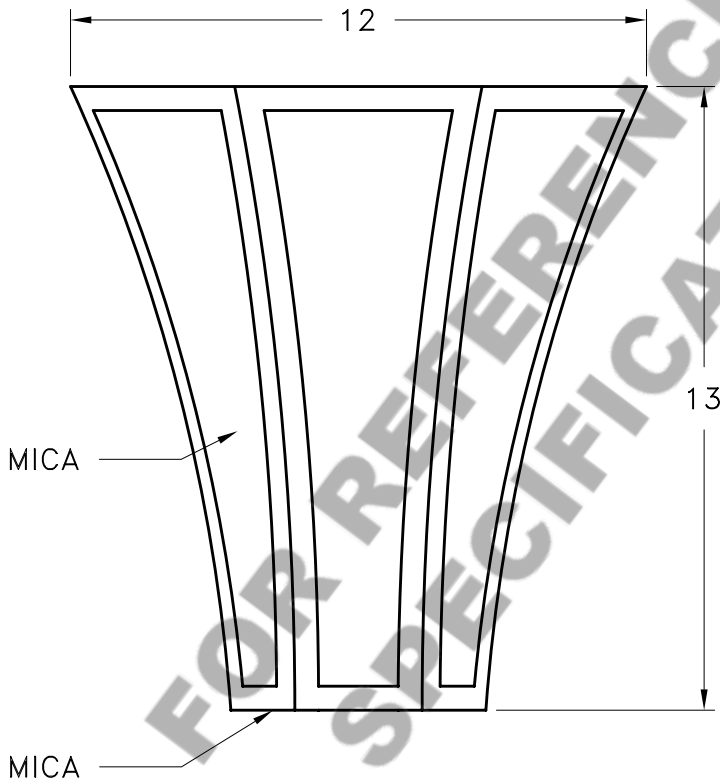
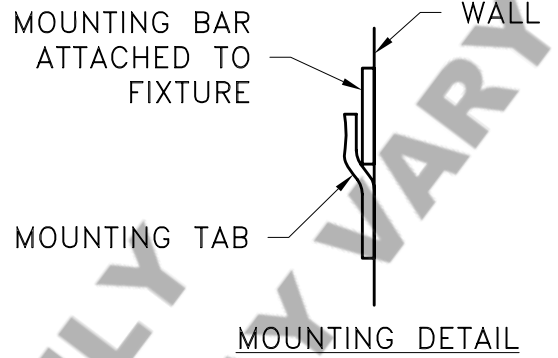
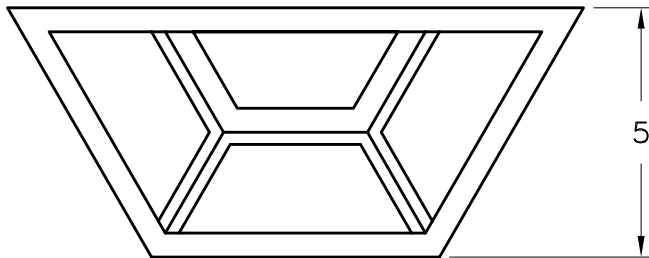
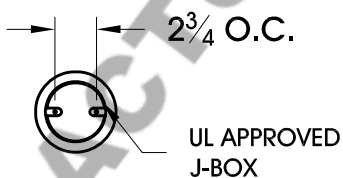


# HAMMERTON

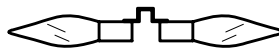


**MOUNTING SPECIFICATION NOTES:**



**CAUTION**  
HARDWARE PACKET "E" MOUNTS DIRECTLY TO J-BOX.

**ELECTRICAL SPECIFICATION NOTES:**



**ELECTRICAL: 2-40 WATT MAX  
DOUBLE CANDELABRA BASE  
120v TYPICAL**

Light Bulb NOT Included

CATALOG # CS9127

APPROXIMATE WEIGHT: 10 Lbs.

HARDWARE PACKET: E

SHADE MATERIAL : MICA

UL RATING: DRY

DIMENSION TOLERANCE  $\pm 7/8"$ .

[www.hammerton.com](http://www.hammerton.com)

© Copyright 2006, All rights in design, detail or invention of this drawing are reserved as the property of Hammerton. Any imitation or adaptation without written consent is strictly prohibited.