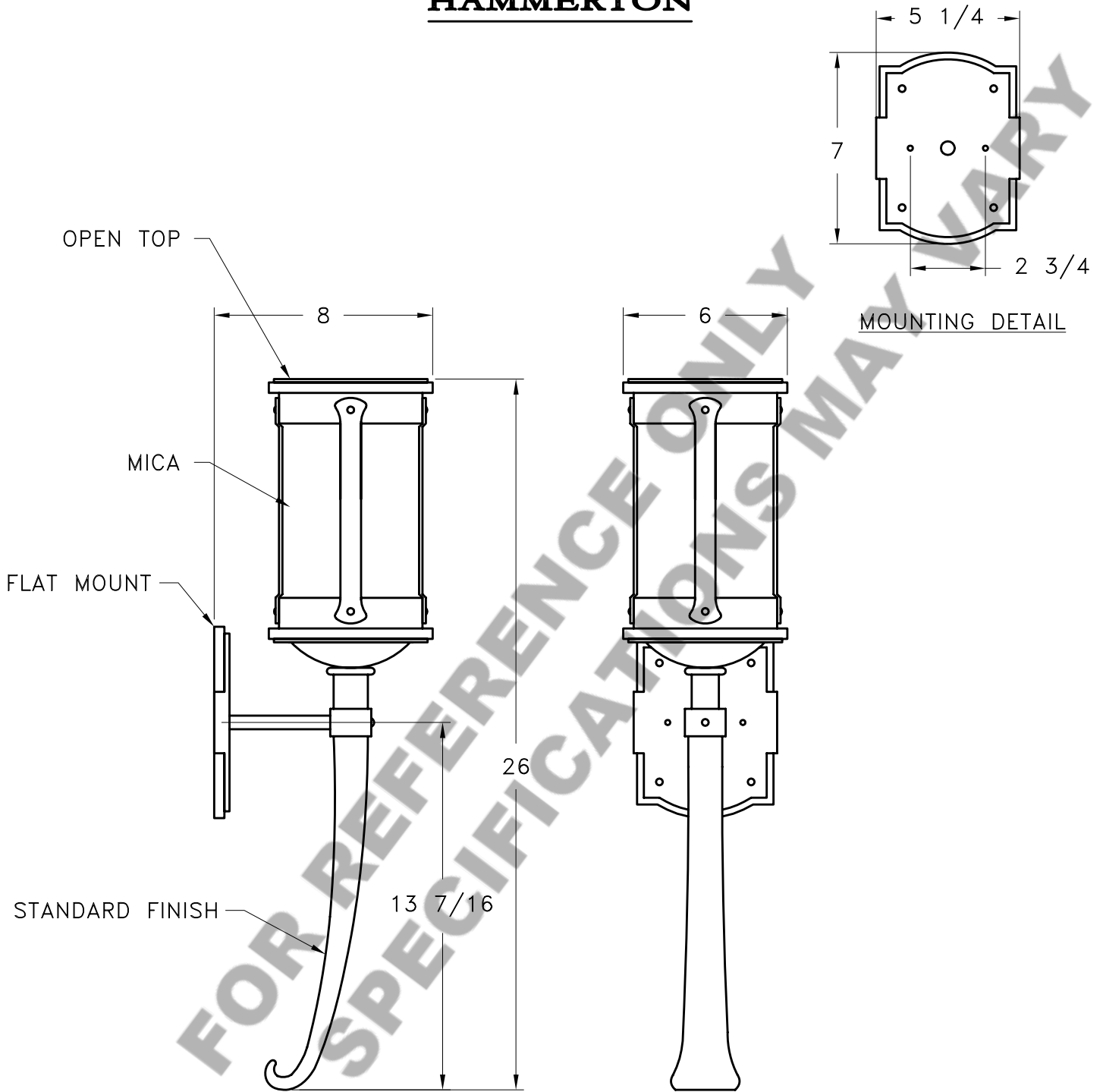
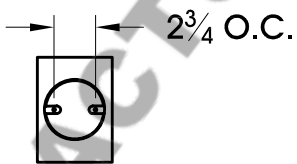


# HAMMERTON



**MOUNTING SPECIFICATION NOTES:**



**CAUTION**  
HARDWARE PACKET "D" MOUNTS  
DIRECTLY TO J-BOX.

**ELECTRICAL SPECIFICATION NOTES:**



**ELECTRICAL: 1-60 WATT MAX**  
**EDISON BASE**  
**120v TYPICAL**

Light Bulb NOT Included

CATALOG # ID9132-M

APPROXIMATE WEIGHT: 18 Lbs.

HARDWARE PACKET: D

SHADE MATERIAL : MICA

UL RATING: DRY

DIMENSION TOLERANCE ± 7/8".

[www.hammerton.com](http://www.hammerton.com)

© Copyright 2006, All rights in design, detail or invention of this drawing are reserved as the property of Hammerton. Any imitation or adaptation without written consent is strictly prohibited.