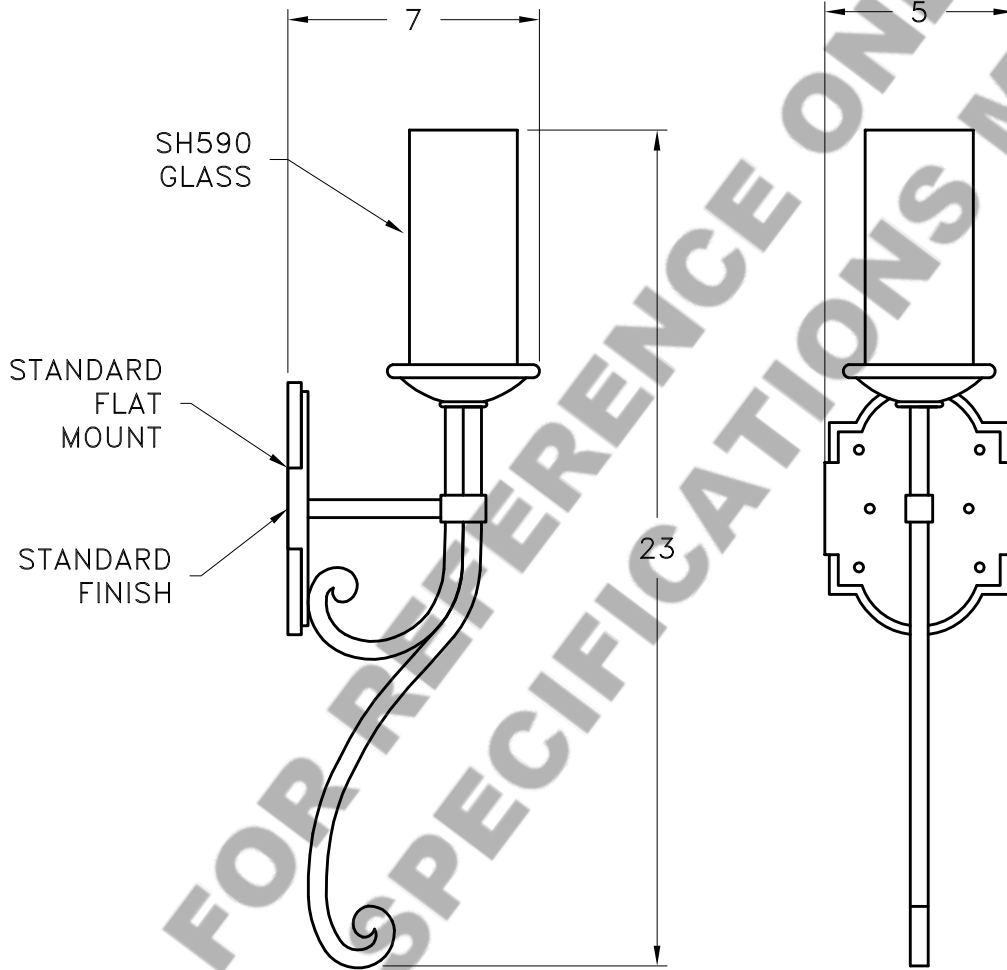
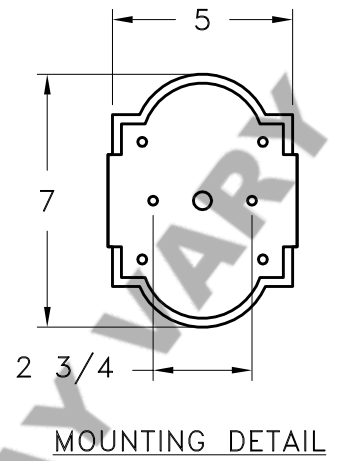
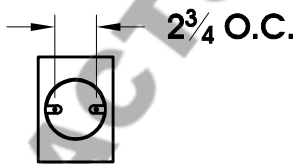


HAMMERTON



MOUNTING SPECIFICATION NOTES:



CAUTION
HARDWARE PACKET "D" MOUNTS
DIRECTLY TO J-BOX.

ELECTRICAL SPECIFICATION NOTES:



1-40 WATT MAX.

CATALOG # ID9156-SH590

APPROXIMATE WEIGHT: 7 Lbs.

HARDWARE PACKET: D

SHADE MATERIAL : GLASS

UL RATING: DRY

DIMENSION TOLERANCE ±7/8".

www.hammerton.com

© Copyright 2006, All rights in design, detail or invention of this drawing are reserved as the property of Hammerton. Any imitation or adaptation without written consent is strictly prohibited.