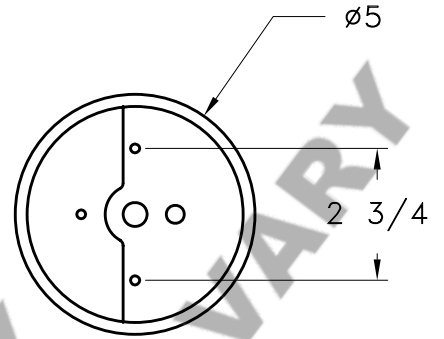


HAMMERTON

STANDARD FLAT MOUNT CANOPY

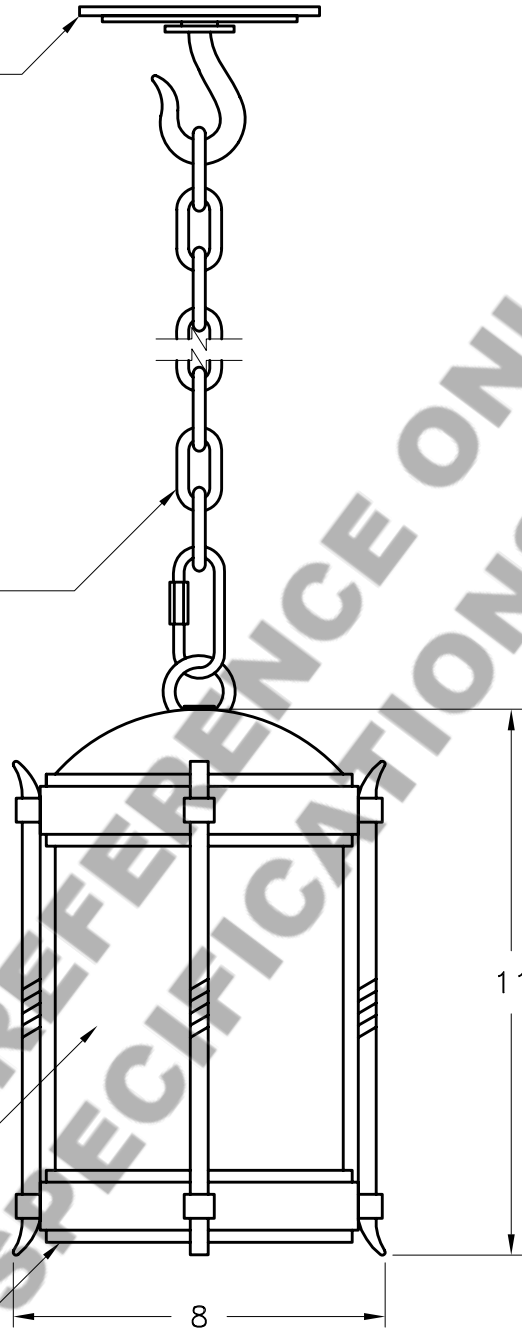


MOUNTING DETAIL

36" OF 1/4" CHAIN

MICA

OPEN BOTTOM



MOUNTING SPECIFICATION NOTES:

2 3/4" O.C.



UL APPROVED J-BOX

CAUTION

HARDWARE PACKET "J" MOUNTS DIRECTLY TO J-BOX.

ELECTRICAL SPECIFICATION NOTES:



**ELECTRICAL: 1-100 WATT MAX
EDISON BASE
120v TYPICAL**

Light Bulb NOT Included

CATALOG # LA9051

APPROXIMATE WEIGHT: 10 Lbs.

HARDWARE PACKET: A

SHADE MATERIAL : MICA

UL RATING: DAMP

DIMENSION TOLERANCE ± 7/8".

www.hammerton.com

© Copyright 2006, All rights in design, detail or invention of this drawing are reserved as the property of Hammerton. Any imitation or adaptation without written consent is strictly prohibited.