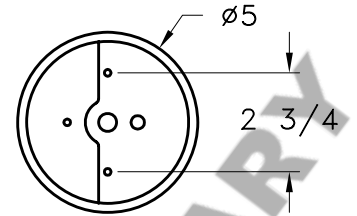


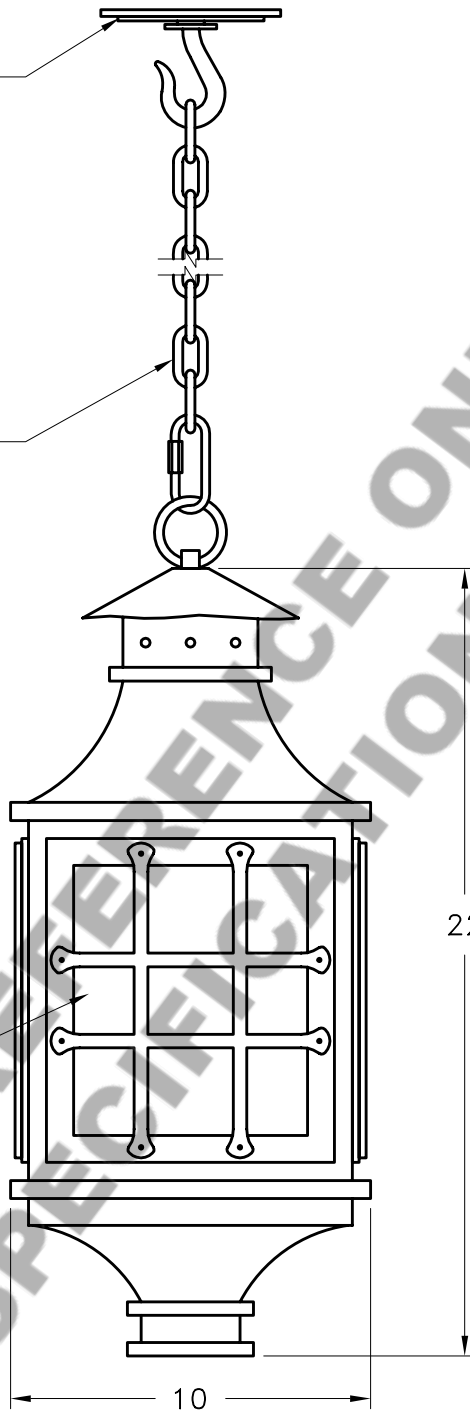
HAMMERTON

STANDARD FLAT MOUNT CANOPY



MOUNTING DETAIL

36" OF 1/4" CHAIN

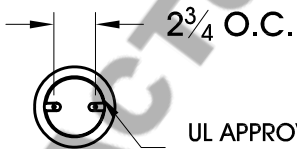


MICA

22

10

MOUNTING SPECIFICATION NOTES:



UL APPROVED J-BOX

CAUTION
HARDWARE PACKET "J" MOUNTS DIRECTLY TO J-BOX.

ELECTRICAL SPECIFICATION NOTES:



**ELECTRICAL: 1-100 WATT MAX
EDISON BASE
120v TYPICAL**

Light Bulb NOT Included

CATALOG # LA9115-L

APPROXIMATE WEIGHT: 35 Lbs.

HARDWARE PACKET: J

SHADE MATERIAL : MICA

UL RATING: DAMP

DIMENSION TOLERANCE $\pm 7/8"$.

www.hammerton.com

© Copyright 2006, All rights in design, detail or invention of this drawing are reserved as the property of Hammerton. Any imitation or adaptation without written consent is strictly prohibited.