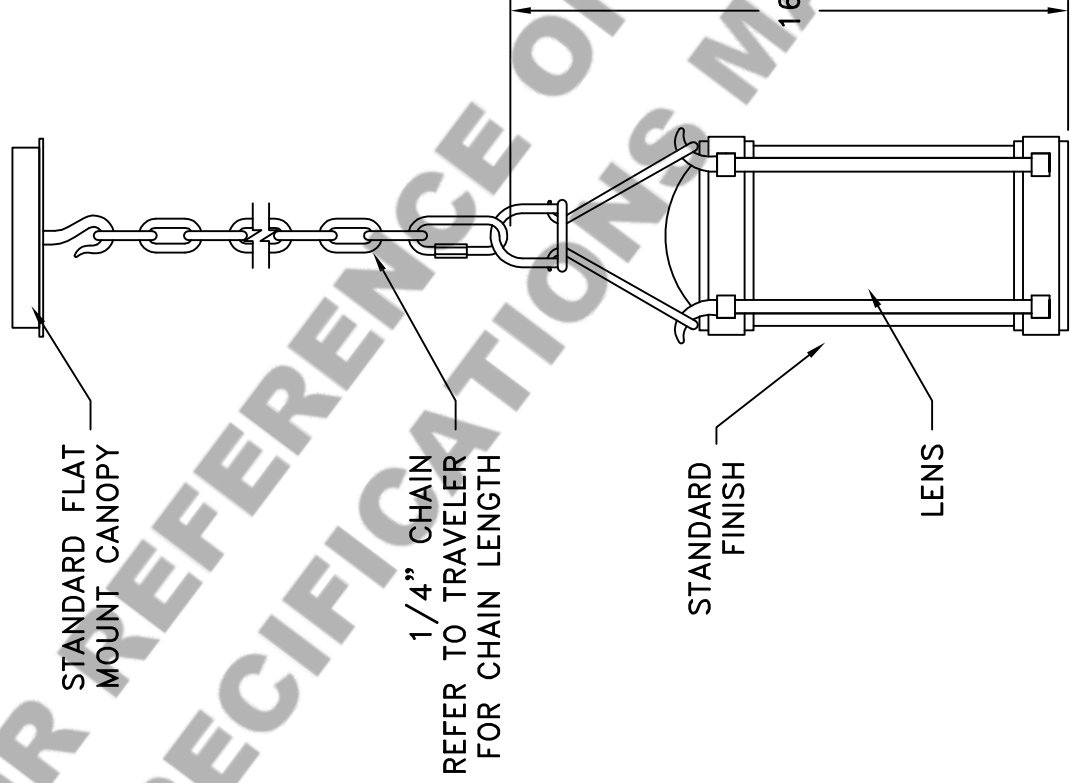
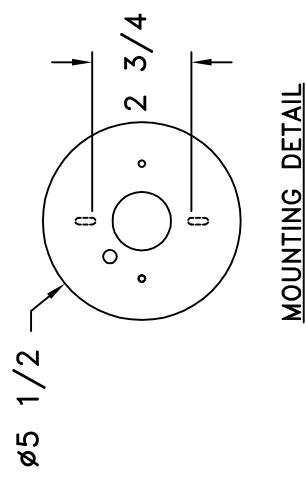


HAMMERTON

SPECIFICATION DRAWING

Location:

Product #: LA91119



Visit hammeron.com for product options and specifications.

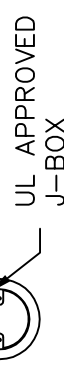
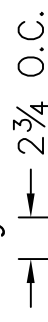
| | |
|----------------------------------|-------------------------------|
| Mounting Style: J | Electrical Type: INCANDESCENT |
| Approximate lbs.: 35 | Bulb Qty: 1 Wattage: 100 |
| Finish: SEE WEB SITE FOR OPTIONS | Voltage: 120 |
| Top Diffuser: CLOSED | Socket Type: MEDIUM |
| Bottom Diffuser: SEE TRAVELER | UL Location: DAMP |

All fixtures created by Hammeron are handcrafted by artisans. Dimensions may vary up to 1/8".

© Copyright 2013. All rights in design, detail or invention of this drawing are reserved as the property of Hammeron. Any imitation or adaptation without written consent is strictly prohibited.

Hammeron Inc. · 217 Wright Brothers Dr. · Salt Lake City, UT 84116 · (801) 973-8095

Mounting Detail



CAUTION

HARDWARE PACKET "J" MOUNTS DIRECTLY TO J-BOX.