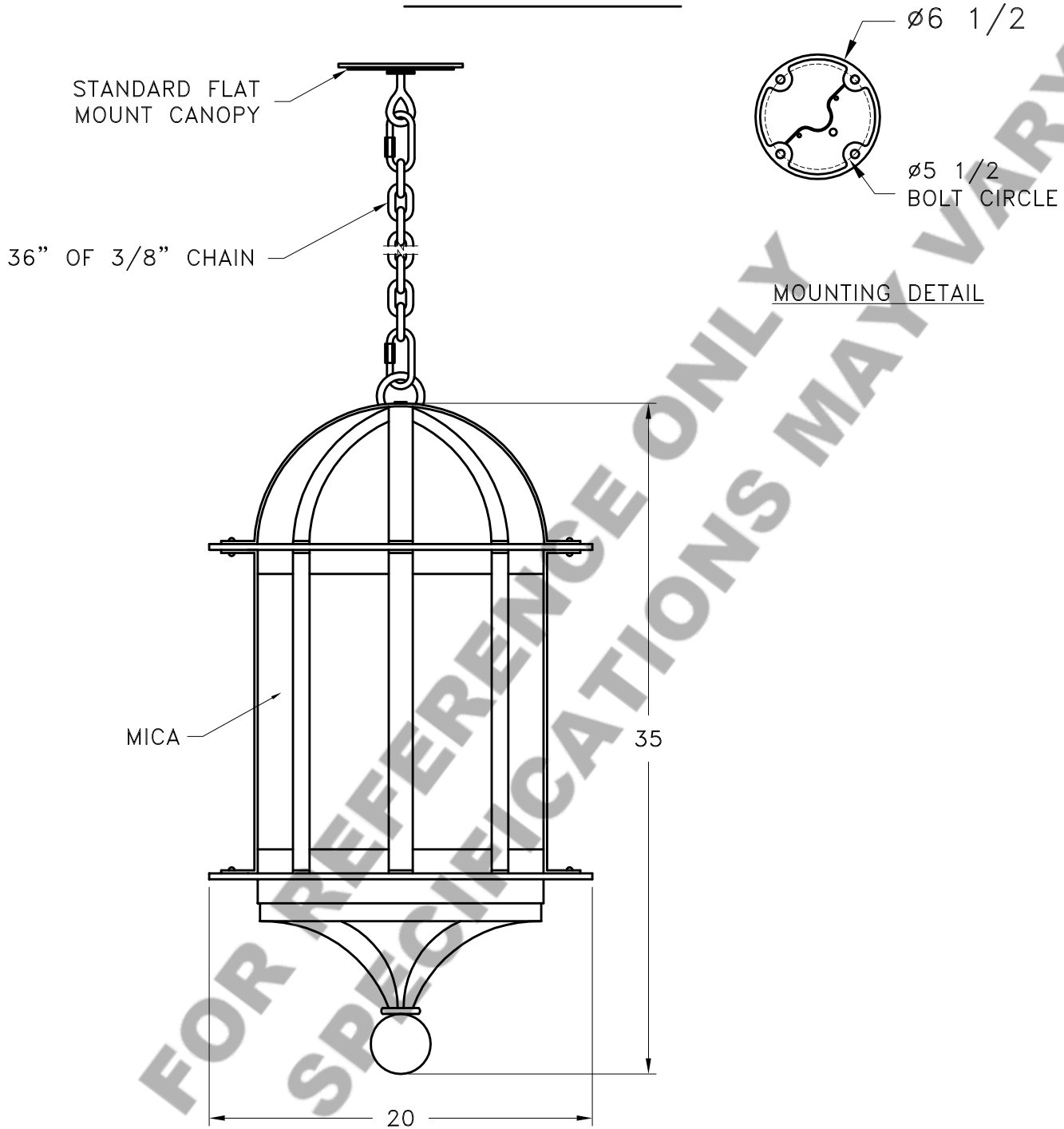
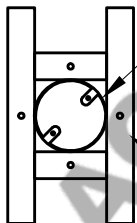


HAMMERTON



FOR REFERENCE ONLY SPECIFICATIONS MAY VARY

MOUNTING SPECIFICATION NOTES:



UL APPROVED
J-BOX

BUILDING
STRUCTURE

CAUTION

HARDWARE PACKET "A" MOUNTS
DIRECTLY TO BUILDING STRUCTURE.

ELECTRICAL SPECIFICATION NOTES:



**ELECTRICAL: 1-100 WATT MAX
EDISON BASE
120v TYPICAL**

Light Bulb NOT Included

CATALOG # LA9122

APPROXIMATE WEIGHT: 55 Lbs.

HARDWARE PACKET: A

SHADE MATERIAL : MICA

UL RATING: DAMP

DIMENSION TOLERANCE ±7/8".

www.hammerton.com

© Copyright 2006, All rights in design, detail or invention of this drawing are reserved as the property of Hammerton. Any imitation or adaptation without written consent is strictly prohibited.