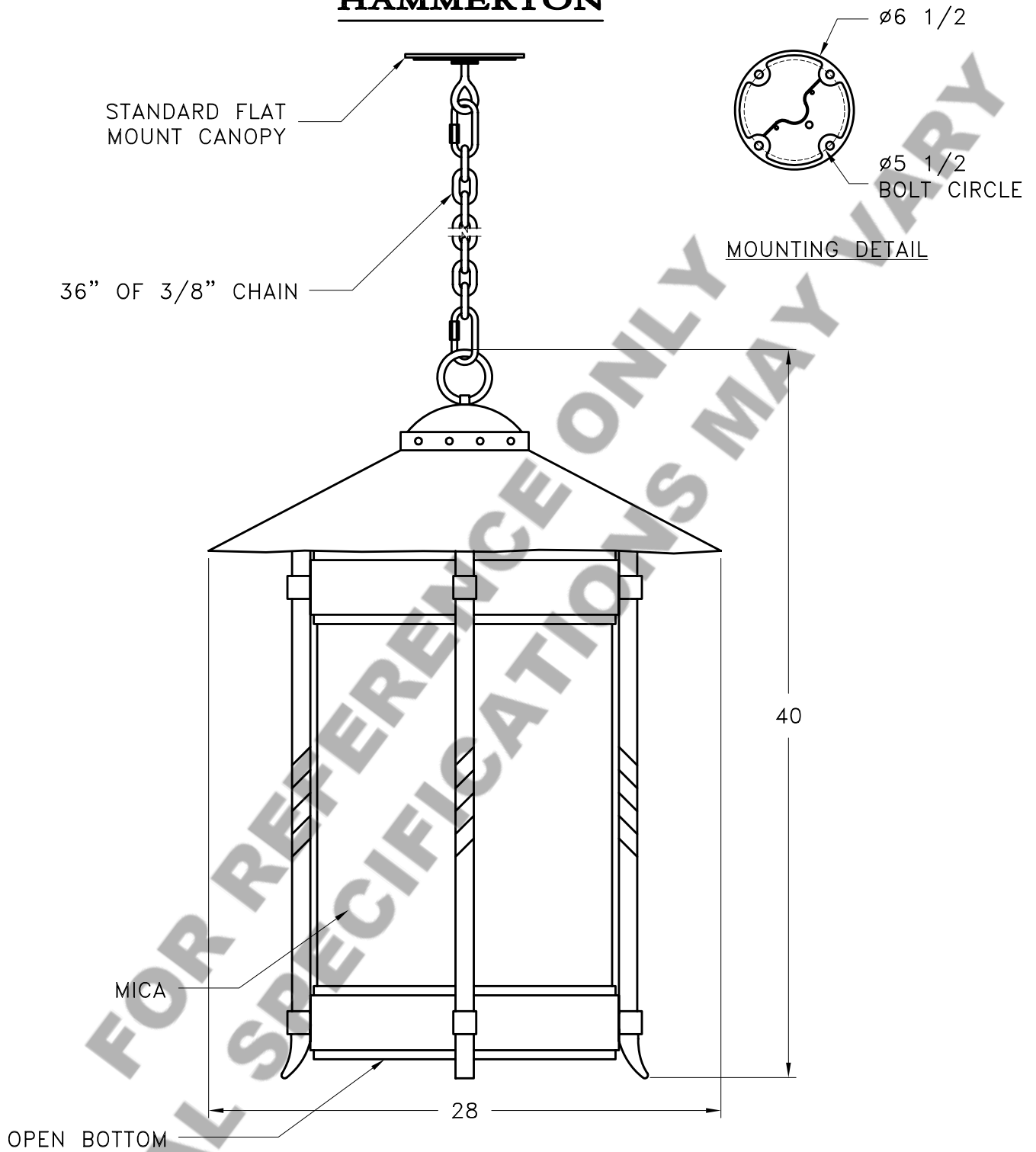
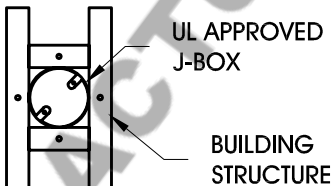


# HAMMERTON



**MOUNTING SPECIFICATION NOTES:**



**CAUTION**

HARDWARE PACKET "A" MOUNTS DIRECTLY TO BUILDING STRUCTURE.

**ELECTRICAL SPECIFICATION NOTES:**



**ELECTRICAL: 3-75 WATT MAX  
EDISON BASE  
120V TYPICAL**

Light Bulb NOT Included

CATALOG # LA9185

APPROXIMATE WEIGHT: 75 Lbs.

HARDWARE PACKET: A

SHADE MATERIAL : MICA

UL RATING: DAMP

DIMENSION TOLERANCE ± 7/8".

www.hammerton.com

© Copyright 2006, All rights in design, detail or invention of this drawing are reserved as the property of Hammerton. Any imitation or adaptation without written consent is strictly prohibited.