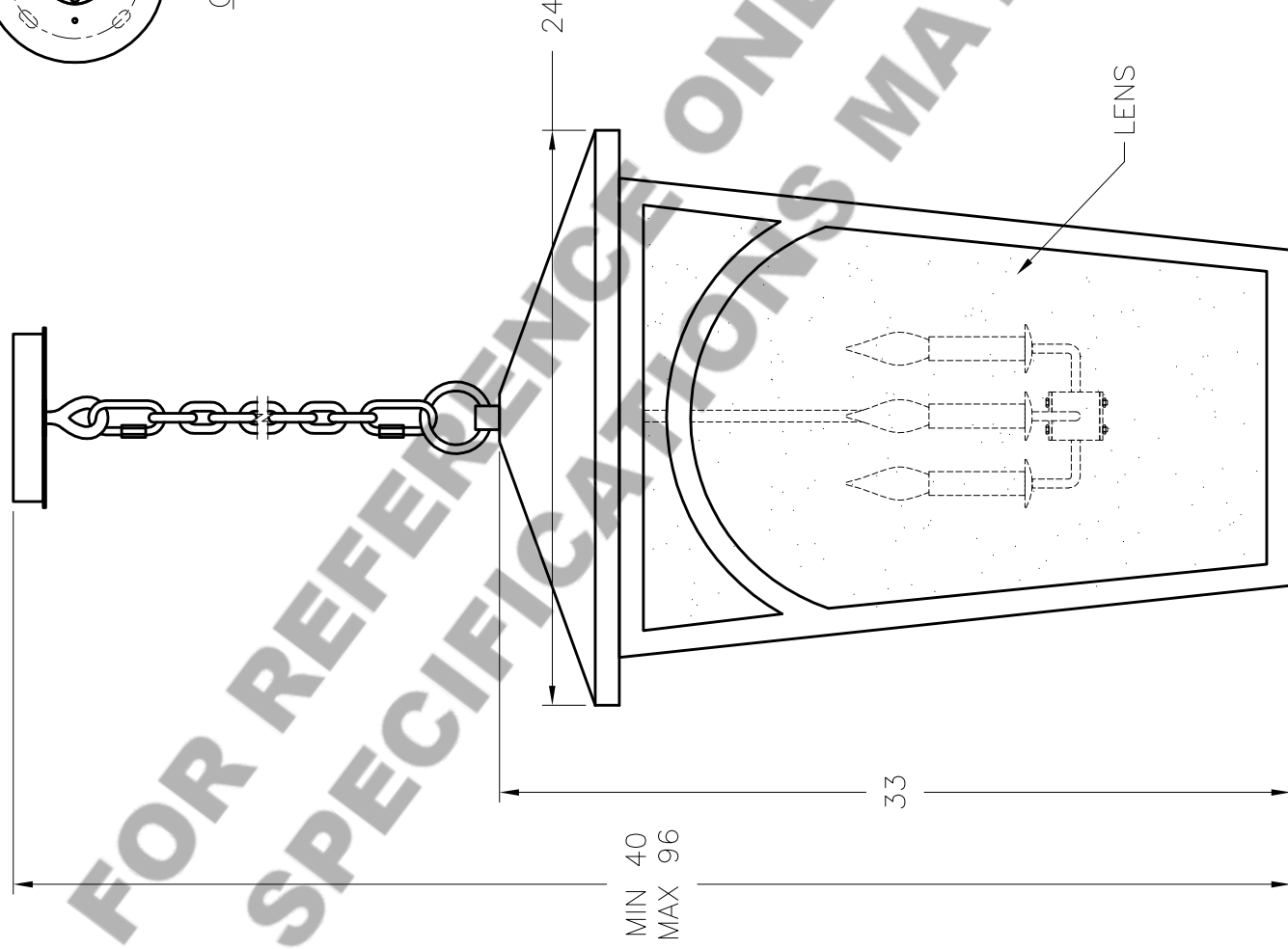
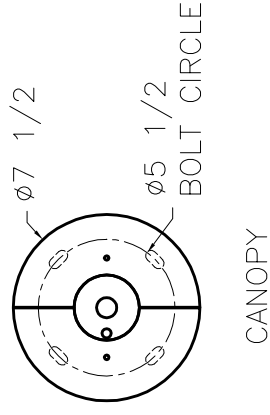


HAMMERTON

SPECIFICATION DRAWING

Location:

Product #: LA9283



CONSTRUCTED OUT OF ALUMINUM

Visit hammertron.com for product options.

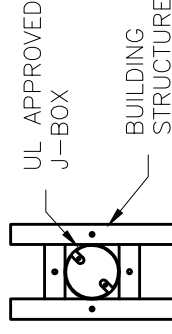
Mounting Packet: A	Electrical Type: INCANDESCENT
Approximate lbs.: 50	Bulb Qty: 4 Wattage: 60
Finish: SEE WEB SITE FOR OPTIONS	Voltage: 120
Top Diffuser: CLOSED METAL	Socket Type: E12
Bottom Diffuser: OPEN	UL Location: DAMP

All fixtures created by Hammertron are handcrafted by artisans. Dimensions may vary up to $\frac{1}{8}$ ".

©Copyright 2018. All rights in design, detail or invention of this drawing are reserved as the property of Hammertron. Any limitation or adaptation without written consent is strictly prohibited.

Hammertron Inc. · 217 Wright Brothers Dr. · Salt Lake City, UT 84116 · (801) 973-8095

Mounting Detail



CAUTION

HARDWARE PACKET "A" MOUNTS DIRECTLY TO BUILDING STRUCTURE.