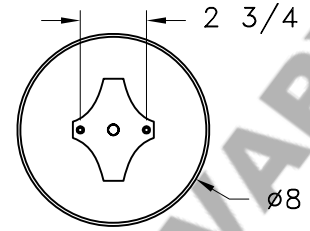
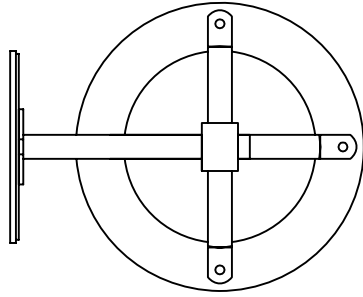
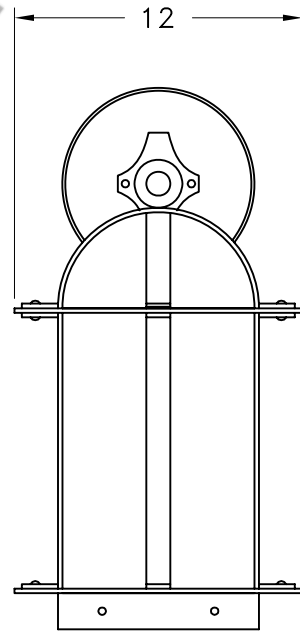
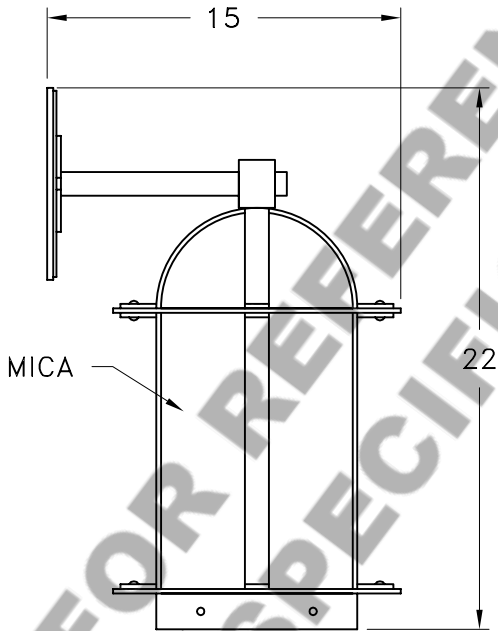


HAMMERTON

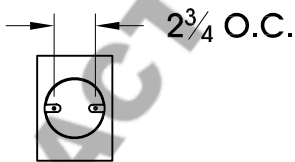


MOUNTING DETAIL



OPEN BOTTOM

MOUNTING SPECIFICATION NOTES:



CAUTION
HARDWARE PACKET "D" MOUNTS
DIRECTLY TO J-BOX.

ELECTRICAL SPECIFICATION NOTES:



ELECTRICAL: 1-100 WATT MAX
EDISON BASE
120v TYPICAL

Light Bulb NOT Included

CATALOG # OD9001-L

APPROXIMATE WEIGHT: 20 Lbs.

HARDWARE PACKET: D

SHADE MATERIAL : MICA

UL RATING: DAMP

DIMENSION TOLERANCE ± 7/8".

www.hammerton.com

© Copyright 2006, All rights in design, detail or invention of this drawing are reserved as the property of Hammerton. Any imitation or adaptation without written consent is strictly prohibited.