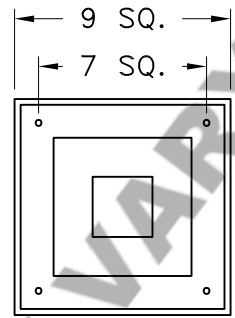
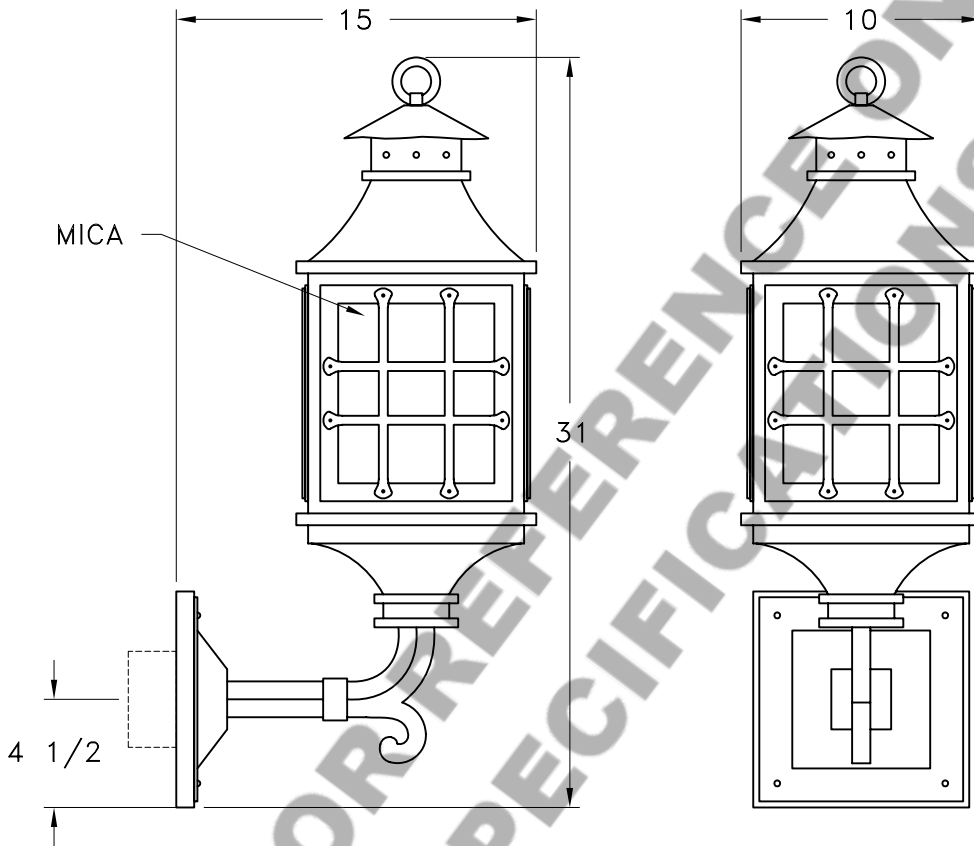


# HAMMERTON

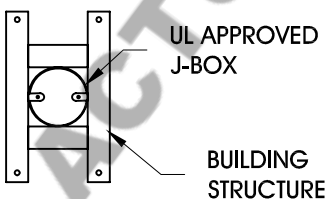


MOUNTING DETAIL



FOR REFERENCE ONLY MAY VARY

**MOUNTING SPECIFICATION NOTES:**



**CAUTION**  
HARDWARE PACKET "C" MOUNTS  
DIRECTLY TO BUILDING STRUCTURE.

**ELECTRICAL SPECIFICATION NOTES:**



**ELECTRICAL: 1-100 WATT MAX  
EDISON BASE  
120v TYPICAL**

Light Bulb NOT Included

CATALOG # OD9115-L

APPROXIMATE WEIGHT: 55 Lbs.

HARDWARE PACKET: C

SHADE MATERIAL : MICA

UL RATING: DAMP

DIMENSION TOLERANCE  $\pm 7/8"$ .

[www.hammerton.com](http://www.hammerton.com)

© Copyright 2006, All rights in design, detail or invention of this drawing are reserved as the property of Hammerton. Any limitation or adaptation without written consent is strictly prohibited.