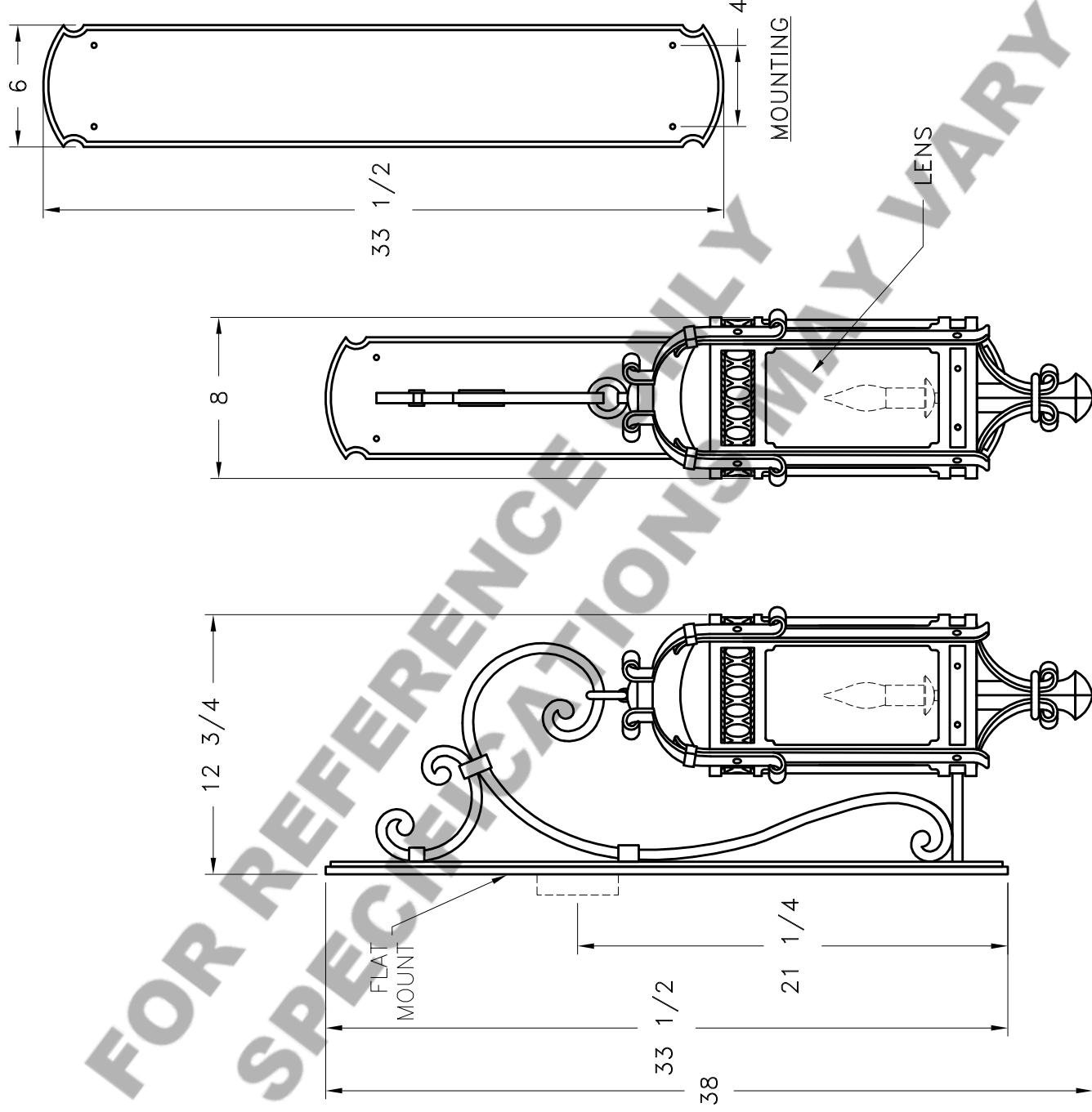


# HAMMERTON

## SPECIFICATION DRAWING

Location:

Product #: OD9282



\*ALUMINUM CONSTRUCTION

Visit [hammerton.com](http://hammerton.com) for product options.

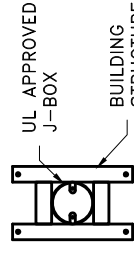
<i>Mounting Packet:</i> C	<i>Electrical Type:</i> INCANDESCENT
<i>Approximate lbs.:</i> 25	<i>Bulb Qty:</i> 1 <i>Wattage:</i> 75
<i>Finish:</i> SEE WEB SITE FOR OPTIONS	<i>Voltage:</i> 120
<i>Top Diffuser:</i> CLOSED	<i>Socket Type:</i> E12
<i>Bottom Diffuser:</i> OPEN	<i>UL Location:</i> WET

All fixtures created by Hammerton are handcrafted by artisans. Dimensions may vary up to 7/8".

©Copyright 2018. All rights in design, detail or invention of this drawing are reserved as the property of Hammerton. Any limitation or adaptation without written consent is strictly prohibited.

Hammerton Inc. · 217 Wright Brothers Dr. · Salt Lake City, UT 84116 · (801) 973-8095

*Mounting Detail*



**CAUTION**  
HARDWARE PACKET "C"  
MOUNTS DIRECTLY TO  
BUILDING STRUCTURE.