

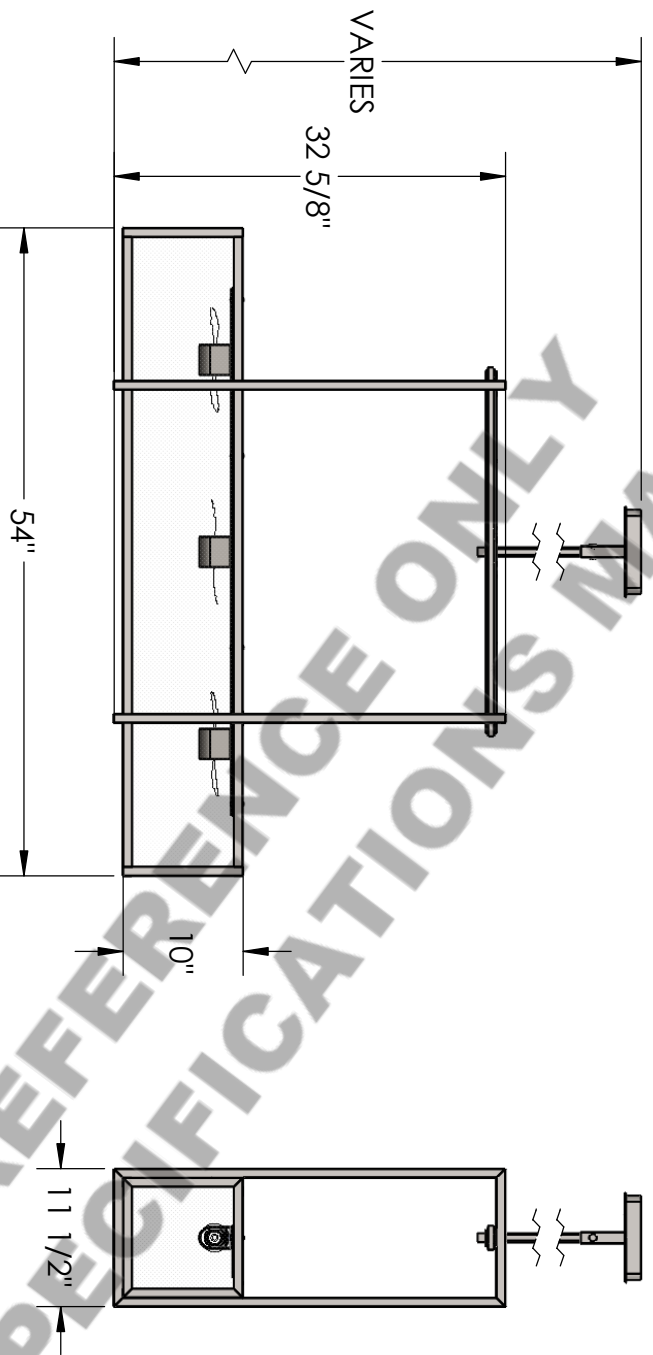
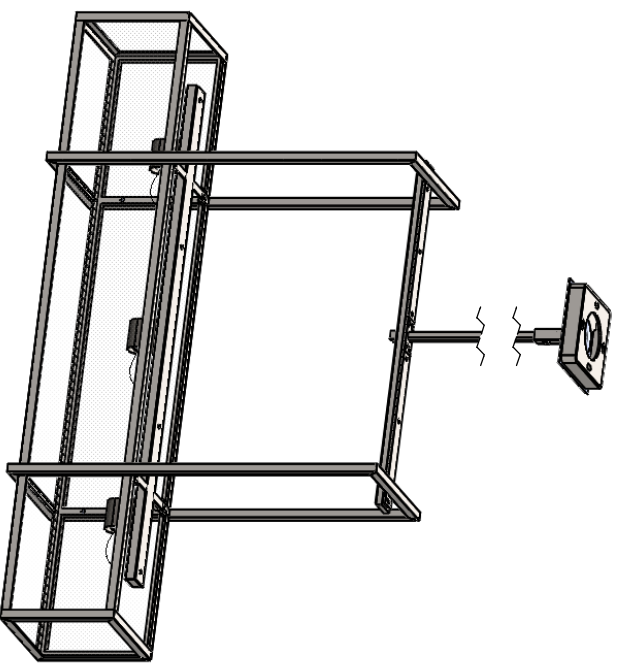
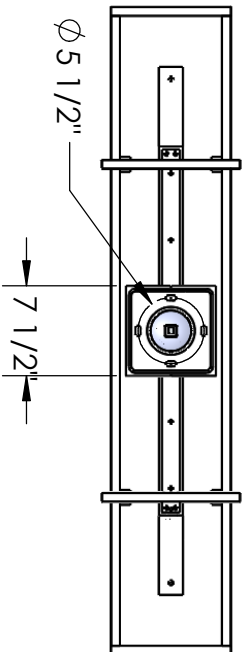
# HAMMERERTON

## SPECIFICATION DRAWING

Approved By:

Product #: PL2152

Date:10/17/2016



Mounting Style: FLAT Electrical Type: INCANDESCENT

Approximate lbs.: 80 Bulb Qty: 6 Wattage: 75

Finish:SEE WEBSITE FOR OPTIONS Voltage:120

Top Diffuser: OPEN Socket Type:MEDIUM

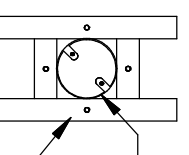
Bottom Diffuser:SAME AS LENS UL Location: DRY

All fixtures created by Hammeron are handcrafted by artisans—dimensions may vary.

© Copyright 2015. All rights in design, detail or invention of this drawing are reserved as the property of Hammeron. Any imitation or adaptation without written consent is strictly prohibited.

Hammeron Inc. • 217 Wright Brothers Dr. Salt Lake City, UT 84116 (801) 973-8095

Mounting Detail



UL APPROVED  
J-BOX

BUILDING  
STRUCTURE

CAUTION

HARDWARE PACKET "A"  
MOUNTS DIRECTLY TO BUILDING  
STRUCTURE.