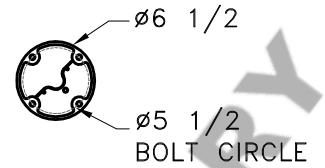
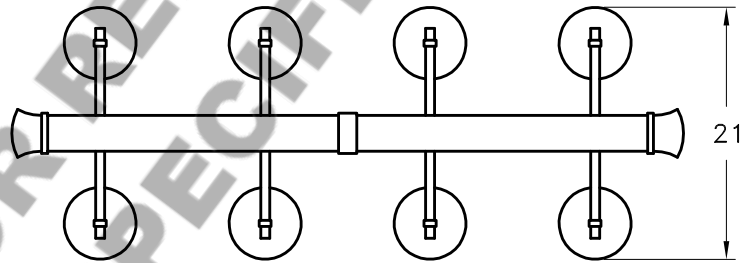
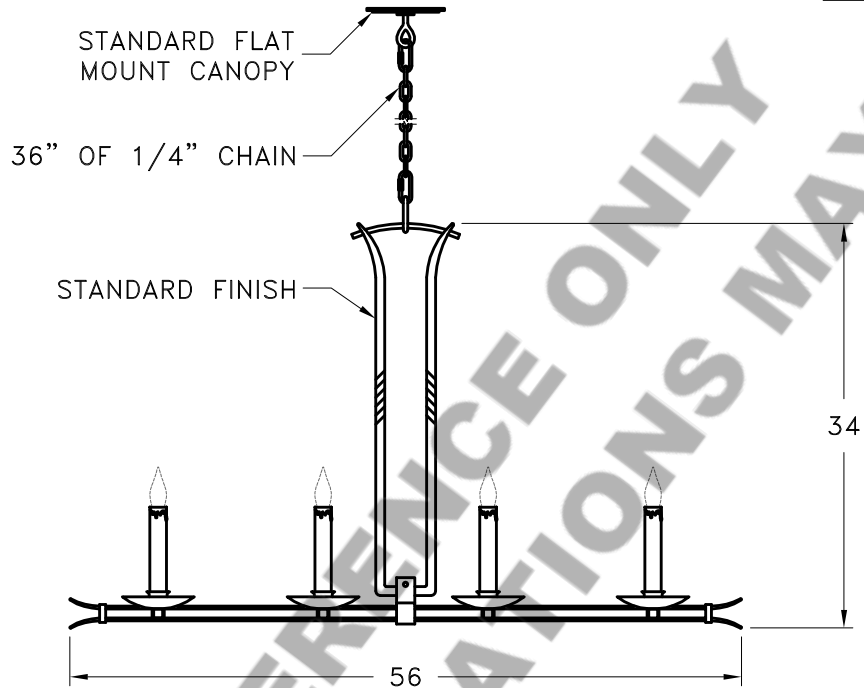


HAMMERTON

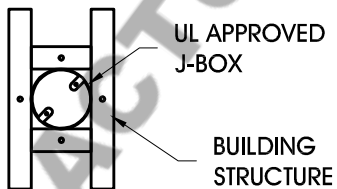


MOUNTING DETAIL



BOTTOM VIEW

MOUNTING SPECIFICATION NOTES:



CAUTION

HARDWARE PACKET "A" MOUNTS DIRECTLY TO BUILDING STRUCTURE.

ELECTRICAL SPECIFICATION NOTES:



**ELECTRICAL: 8-40 WATT MAX
CANDELABRA BASE
120v TYPICAL**

Light Bulb NOT Included

CATALOG # PL9195

APPROXIMATE WEIGHT: 175 Lbs.

HARDWARE PACKET: A

SHADE MATERIAL : N/A

UL RATING: DRY

DIMENSION TOLERANCE $\pm 7/8"$.

www.hammerton.com

© Copyright 2006, All rights in design, detail or invention of this drawing are reserved as the property of Hammerton. Any imitation or adaptation without written consent is strictly prohibited.