

HAMMERTON

REQUIRED BLOCKING TO SUPPORT WEIGHT OF FIXTURE. BLOCKING IS REQUIRED ON ALL SIDES.

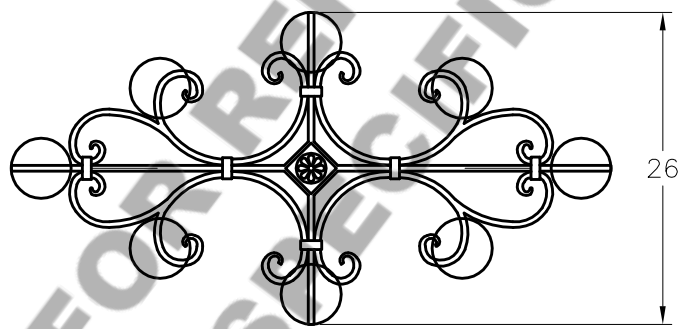
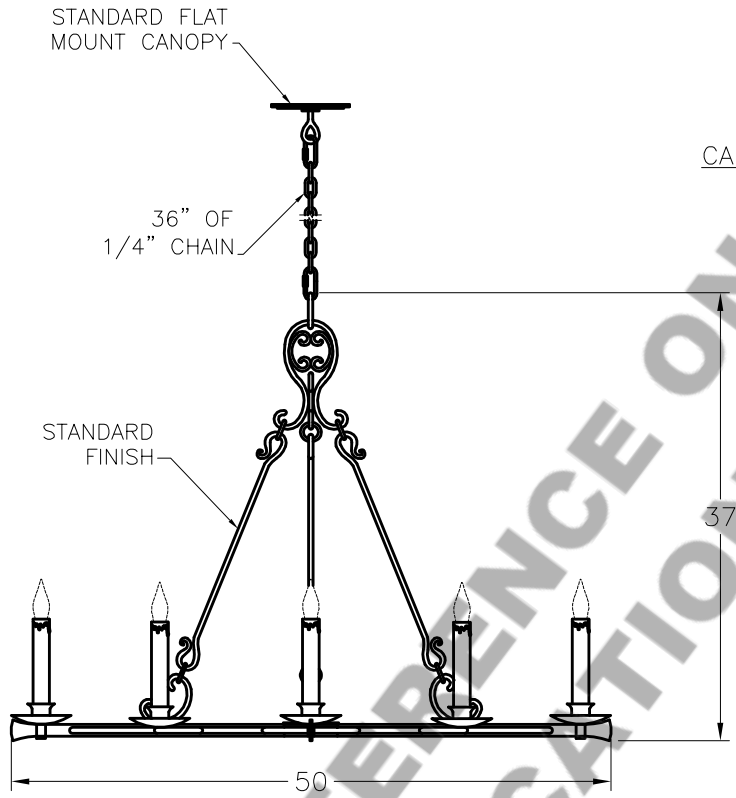
Ø6½" HAMMERTON STANDARD CANOPY. CANOPY MUST BE ATTACHED TO BUILDING STRUCTURE.

Ø5½" BOLT CIRCLE

4" STANDARD JUNCTION BOX. MOUNTING HOLES ARE AT 2¾" ON CENTER

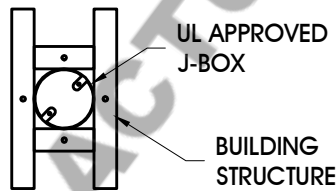


CANOPY DETAIL



BOTTOM VIEW

MOUNTING SPECIFICATION NOTES:



CAUTION
HARDWARE PACKET "A" MOUNTS DIRECTLY TO BUILDING STRUCTURE.

ELECTRICAL SPECIFICATION NOTES:



**ELECTRICAL: 8-40 WATT MAX
CANDELABRA BASE
120v TYPICAL**

Light Bulb NOT Included

CATALOG # PL9200

APPROXIMATE WEIGHT: 120lbs.

HARDWARE PACKET: A

SHADE MATERIAL : N/A

UL RATING: DRY

DIMENSION TOLERANCE ±7/8".

www.hammerton.com

© Copyright 2006, All rights in design, detail or invention of this drawing are reserved as the property of Hammerton. Any imitation or adaptation without written consent is strictly prohibited.