

HAMMERTON

REQUIRED BLOCKING TO SUPPORT WEIGHT OF FIXTURE. BLOCKING IS REQUIRED ON ALL SIDES.

ø6½" HAMMERTON STANDARD CANOPY. CANOPY MUST BE ATTACHED TO BUILDING STRUCTURE.

ø5½" BOLT CIRCLE

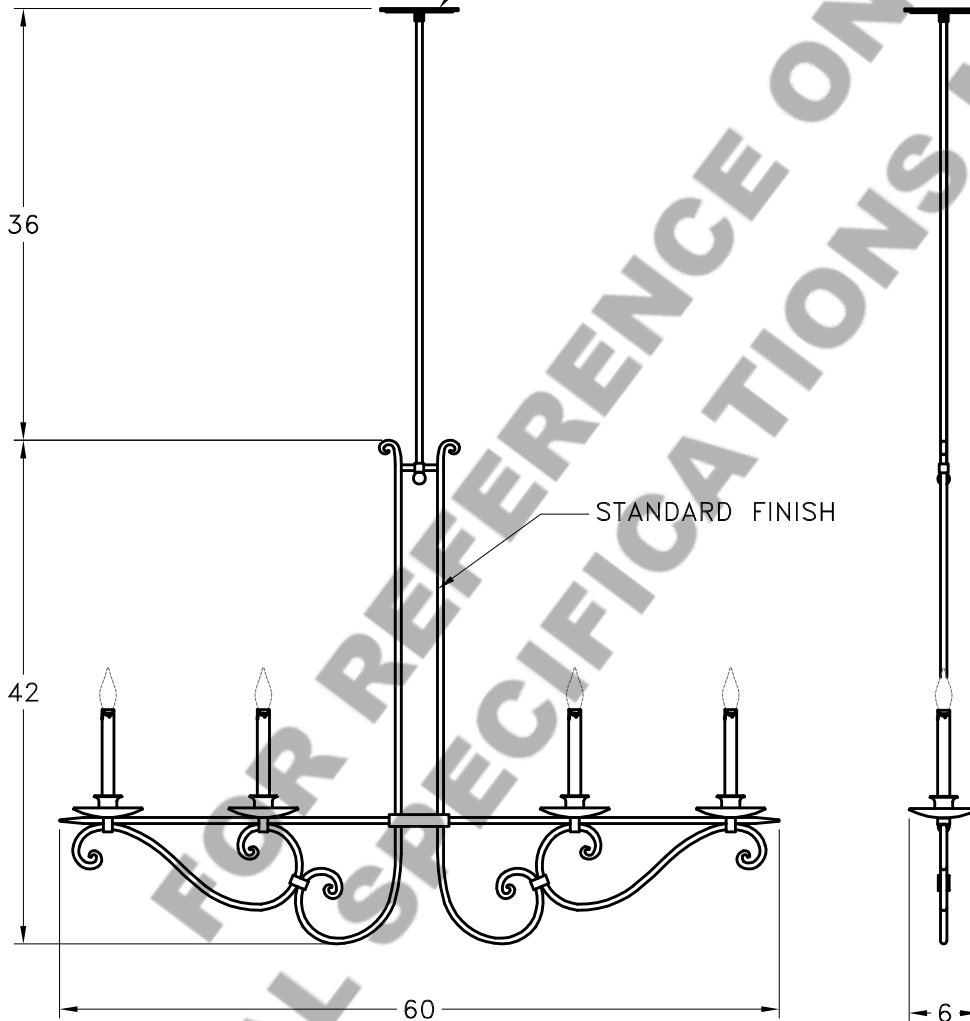
4" STANDARD JUNCTION BOX.

MOUNTING HOLES ARE AT 2¾" ON CENTER

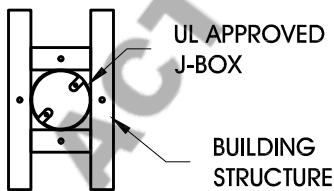
CANOPY DETAIL

STANDARD FLAT MOUNT CANOPY

STANDARD FINISH



MOUNTING SPECIFICATION NOTES:



CAUTION
HARDWARE PACKET "A" MOUNTS DIRECTLY TO BUILDING STRUCTURE.

ELECTRICAL SPECIFICATION NOTES:



**ELECTRICAL: 4-40 WATT MAX
CANDELABRA BASE
120v TYPICAL**

Light Bulb NOT Included

CATALOG # PL9201

APPROXIMATE WEIGHT: 150 Lbs.

HARDWARE PACKET: A

SHADE MATERIAL : SEE SHADE OPTIONS

UL RATING: DRY

DIMENSION TOLERANCE ±7/8".

www.hammerton.com

© Copyright 2009, All rights in design, detail or invention of this drawing are reserved as the property of Hammerton. Any imitation or adaptation without written consent is strictly prohibited.