

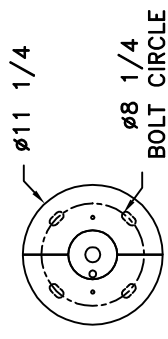
HAMMERTON

SPECIFICATION DRAWING

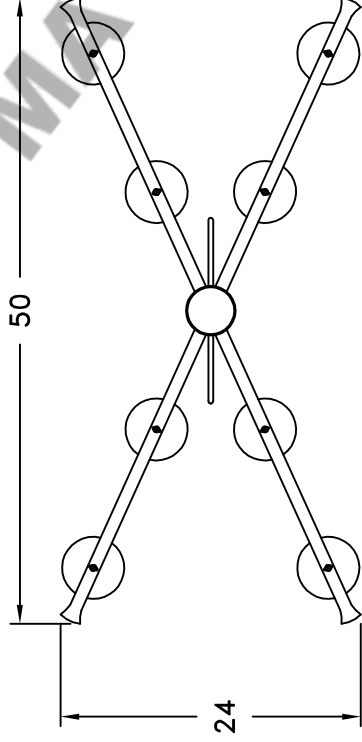
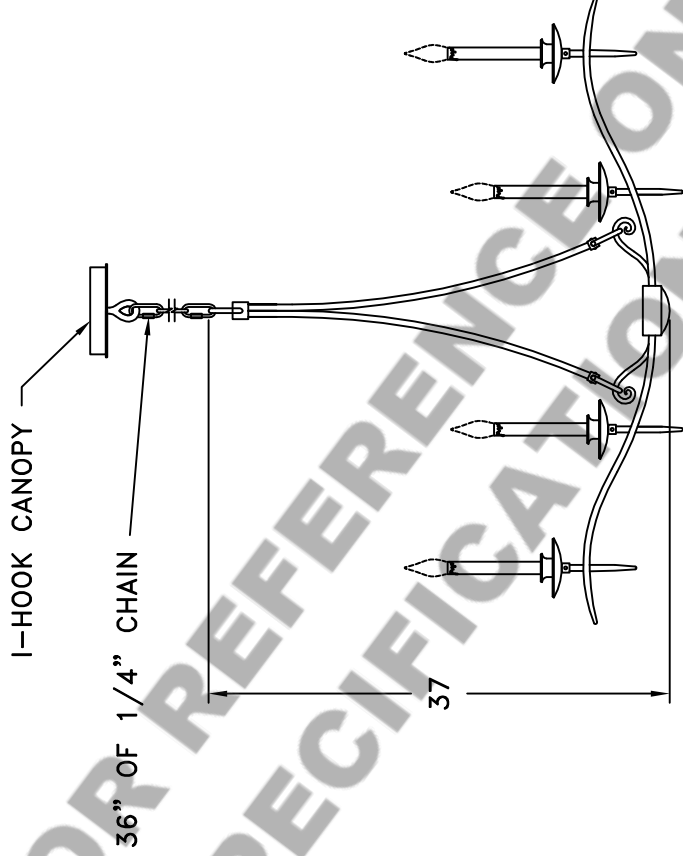
Approved By:

Product #: PL9202

Date: 3/10/15



CANOPY DETAIL



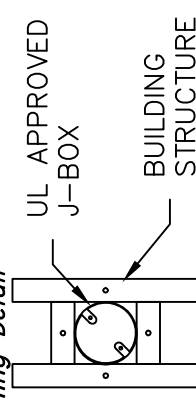
Mounting Style:	FLAT	Electrical Type:	INCANDESCENT
Approximate lbs.:	120	Bulb Qty:	8
Finish:	SEE TRAVELER	Wattage:	40
Top Diffuser:	N/A	Voltage:	120
Bottom Diffuser:	N/A	Socket Type:	SMALL
		UL Location:	DRY

All fixtures created by Hammerton are handcrafted by artisans—dimensions may vary.

© Copyright 2015. All rights in design, detail or invention of this drawing are reserved as the property of Hammerton. Any limitation or adaptation without written consent is strictly prohibited.

Hammerton Inc. · 217 Wright Brothers Dr. · Salt Lake City, UT 84116 · (801) 973-8095

Mounting Detail



CAUTION

HARDWARE PACKET "A"
MOUNTS DIRECTLY TO
BUILDING STRUCTURE.