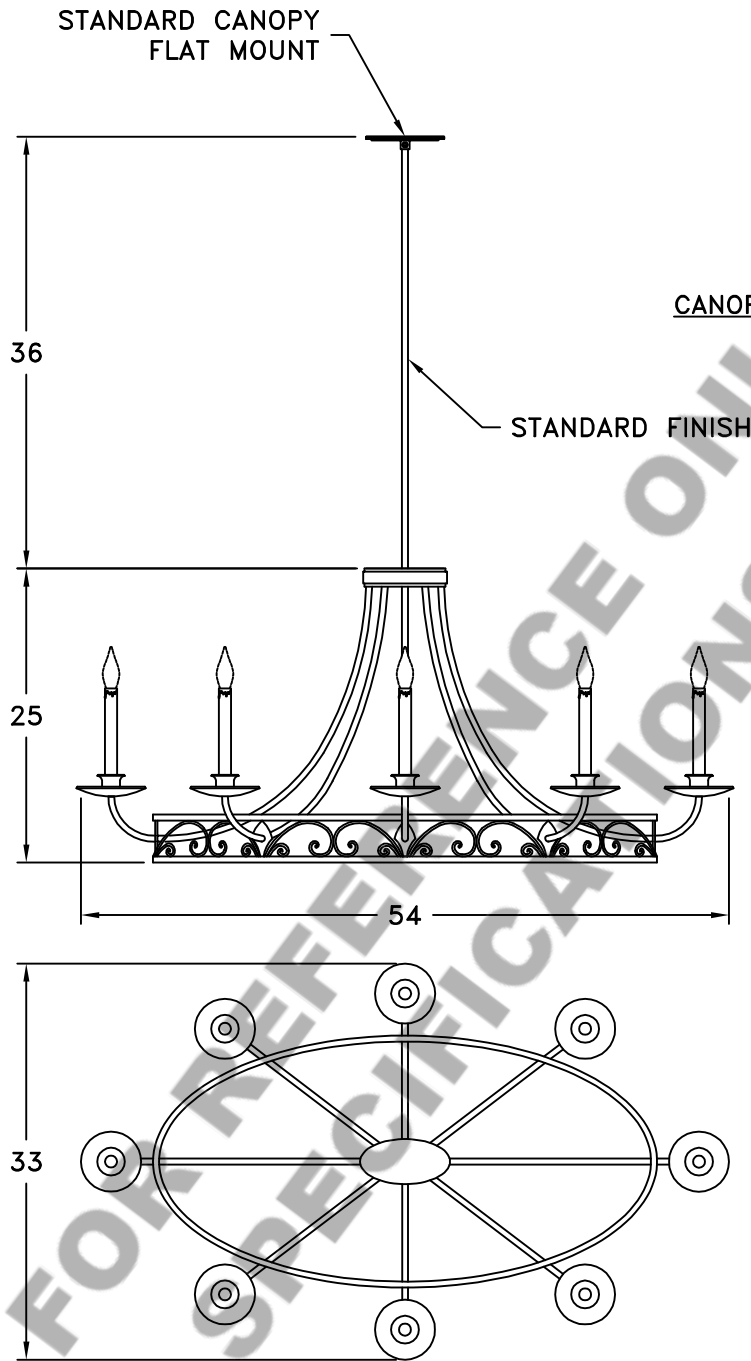


# HAMMERTON



REQUIRED BLOCKING TO SUPPORT WEIGHT OF FIXTURE. BLOCKING IS REQUIRED ON ALL SIDES.

Ø6½" HAMMERTON STANDARD CANOPY. CANOPY **MUST** BE ATTACHED TO BUILDING STRUCTURE.

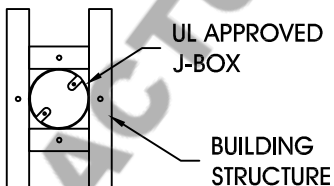
Ø5½" BOLT CIRCLE

4" STANDARD JUNCTION BOX. MOUNTING HOLES ARE AT 2¾" ON CENTER

CANOPY DETAIL



**MOUNTING SPECIFICATION NOTES:**



**CAUTION**

HARDWARE PACKET "A" MOUNTS DIRECTLY TO BUILDING STRUCTURE.

**ELECTRICAL SPECIFICATION NOTES:**



**ELECTRICAL: 8-40 WATT MAX  
CANDELABRA BASE  
120v TYPICAL**

Light Bulb NOT Included

CATALOG # PL9203

APPROXIMATE WEIGHT: 200lbs.

HARDWARE PACKET: A

SHADE MATERIAL : SEE SHADE OPTIONS

UL RATING: DRY

DIMENSION TOLERANCE ±7/8".

[www.hammerton.com](http://www.hammerton.com)

© Copyright 2006, All rights in design, detail or invention of this drawing are reserved as the property of Hammerton. Any imitation or adaptation without written consent is strictly prohibited.