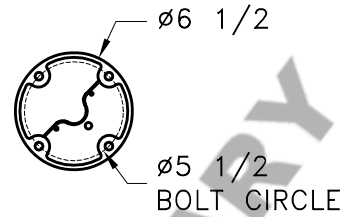


# HAMMERTON

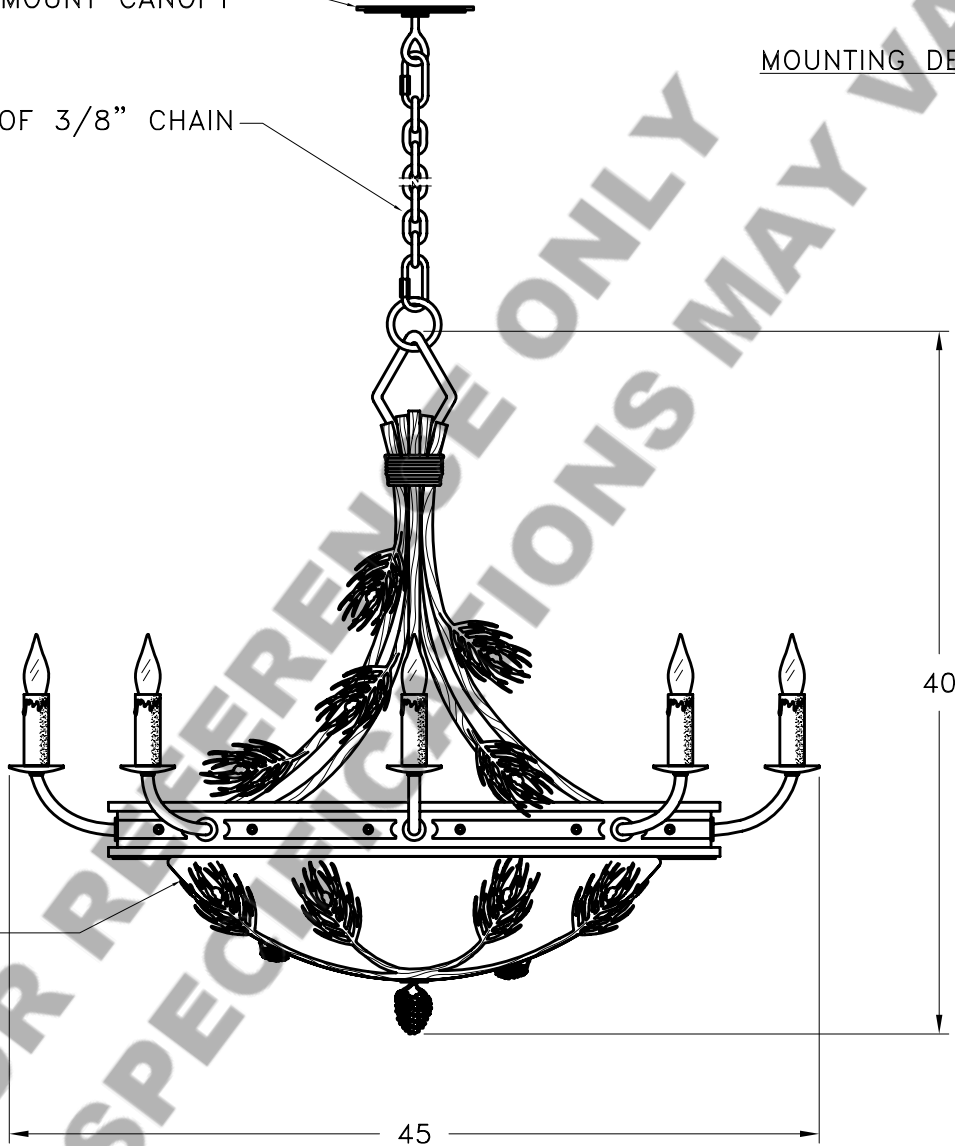


STANDARD FLAT MOUNT CANOPY

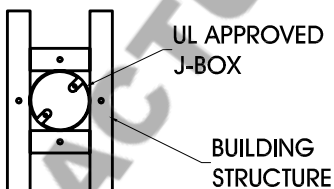
72" OF 3/8" CHAIN

MOUNTING DETAIL

RAWHIDE



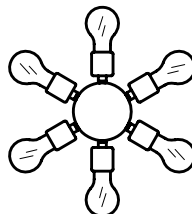
**MOUNTING SPECIFICATION NOTES:**



**CAUTION**

HARDWARE PACKET "A" MOUNTS DIRECTLY TO BUILDING STRUCTURE.

**ELECTRICAL SPECIFICATION NOTES:**



**ELECTRICAL: 6-75 WATT MAX  
 EDISON BASE  
 120v TYPICAL**

Light Bulb NOT Included

CATALOG # CH7122-PN

APPROXIMATE WEIGHT: 125 Lbs.

HARDWARE PACKET: A

SHADE MATERIAL : RAWHIDE

UL RATING: DRY

DIMENSION TOLERANCE  $\pm 7/8"$ .

[www.hammerton.com](http://www.hammerton.com)

© Copyright 2006, All rights in design, detail or invention of this drawing are reserved as the property of Hammerton. Any limitation or adaptation without written consent is strictly prohibited.