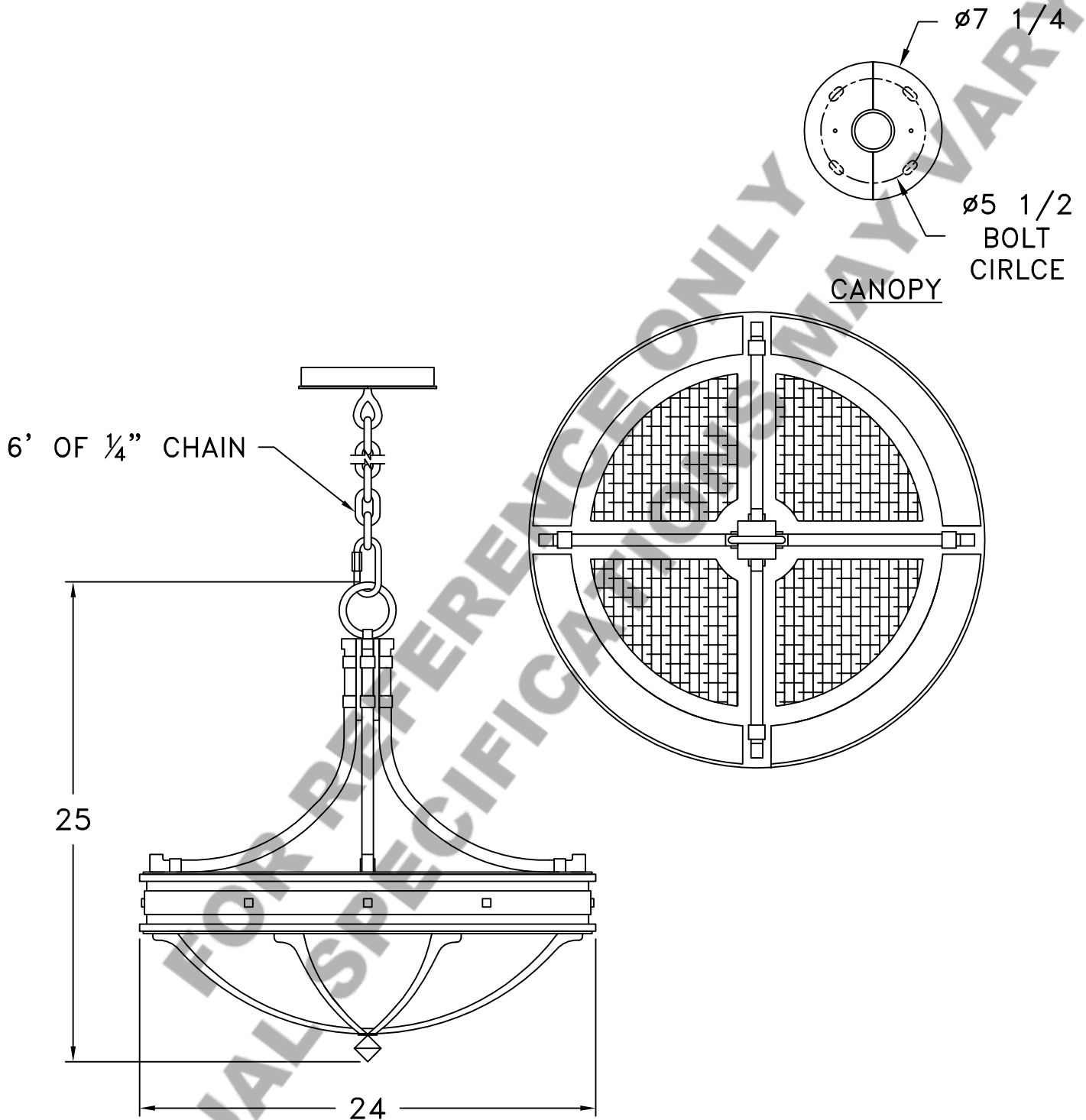
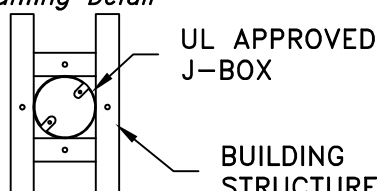


Location:

Product #: CH8088



Visit hammerton.com for product options and specifications.

| | | |
|---|-------------------------------|---|
| Mounting Style: FLAT | Electrical Type: INCANDESCENT | Mounting Detail  |
| Approximate lbs.: 55 | Bulb Qty: 3 Wattage: 60 | |
| Finish: SEE WEB SITE FOR OPTIONS | Voltage: 120 | |
| Top Diffuser: FINE MESH | Socket Type: MEDIUM | |
| Bottom Diffuser: SAME AS DOME | UL Location: DRY | |
| All fixtures created by Hammerton are handcrafted by artisans. Dimensions may vary up to 7/8". | | |
| ©Copyright 2016. All rights in design, detail or invention of this drawing are reserved as the property of Hammerton. Any imitation or adaptation without written consent is strictly prohibited. | | |
| Hammerton Inc. · 217 Wright Brothers Dr. · Salt Lake City, UT 84116 · (801) 973-8095 | | CAUTION HARDWARE PACKET "A" MOUNTS DIRECTLY TO BUILDING STRUCTURE. |