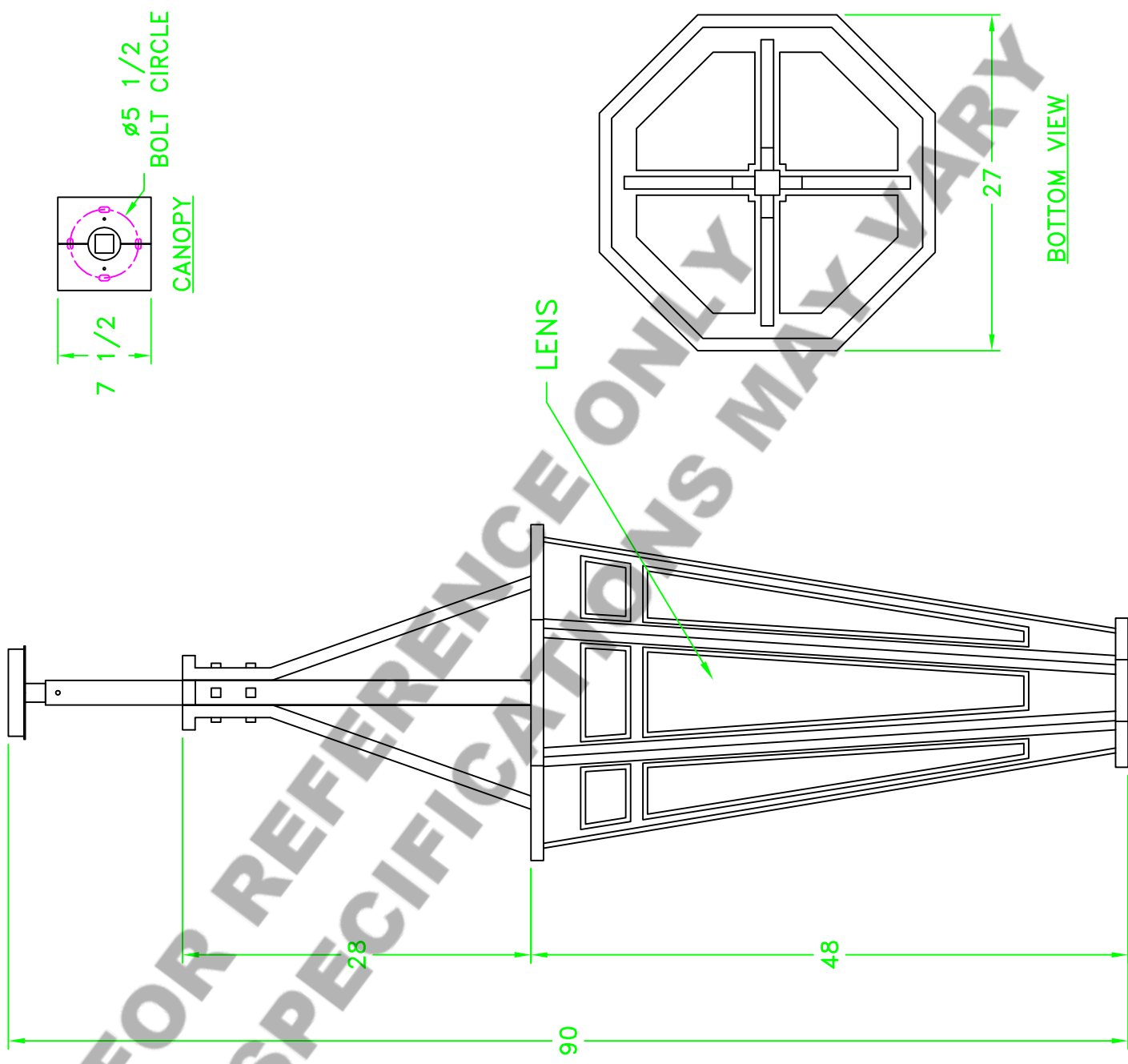


Location:

Product #: CH8098



Visit hammerton.com for product options and specifications.

Mounting Style: A	Electrical Type: INCANDESCENT	Mounting Detail
Approximate lbs.: 300	Bulb Qty: 8 Wattage: 75	<p>CAUTION HARDWARE PACKET "A" MOUNTS DIRECTLY TO BUILDING STRUCTURE.</p>
Finish: SEE WEB SITE FOR OPTIONS	Voltage: 120	
Top Diffuser: OPEN	Socket Type: MEDIUM	
Bottom Diffuser: SAME AS LENS	UL Location: DRY	

All fixtures created by Hammerton are handcrafted by artisans. Dimensions may vary up to 1/8".

©Copyright 2016. All rights in design, detail or invention of this drawing are reserved as the property of Hammerton. Any limitation or adaptation without written consent is strictly prohibited.

Hammerton Inc. · 217 Wright Brothers Dr. · Salt Lake City, UT 84116 · (801) 973-8095