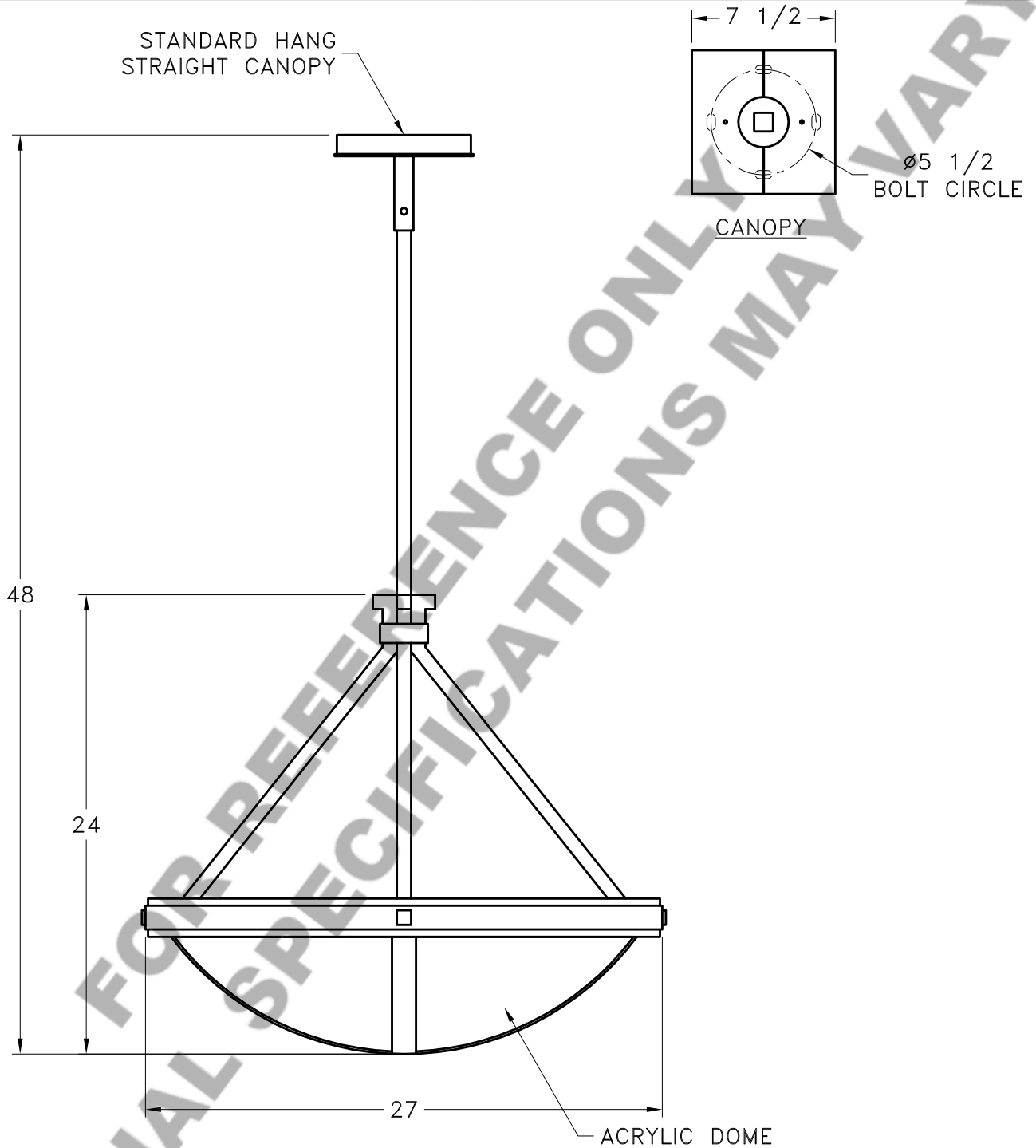


Location:

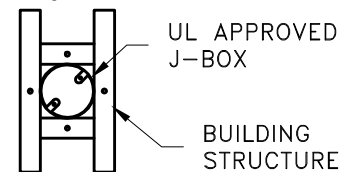
Product #: CH8104



Visit hammerton.com for product options and specifications.

| | |
|----------------------------------|-------------------------------|
| Mounting Style: A | Electrical Type: INCANDESCENT |
| Approximate lbs.: 95 | Bulb Qty: 4 Wattage: 60 |
| Finish: SEE WEB SITE FOR OPTIONS | Voltage: 120 |
| Top Diffuser: OPEN | Socket Type: MEDIUM |
| Bottom Diffuser: N/A | UL Location: DRY |

Mounting Detail



CAUTION
HARDWARE PACKET "A"
MOUNTS DIRECTLY TO
BUILDING STRUCTURE.

All fixtures created by Hammerton are handcrafted by artisans. Dimensions may vary up to 7/8".

©Copyright 2016. All rights in design, detail or invention of this drawing are reserved as the property of Hammerton. Any imitation or adaptation without written consent is strictly prohibited.