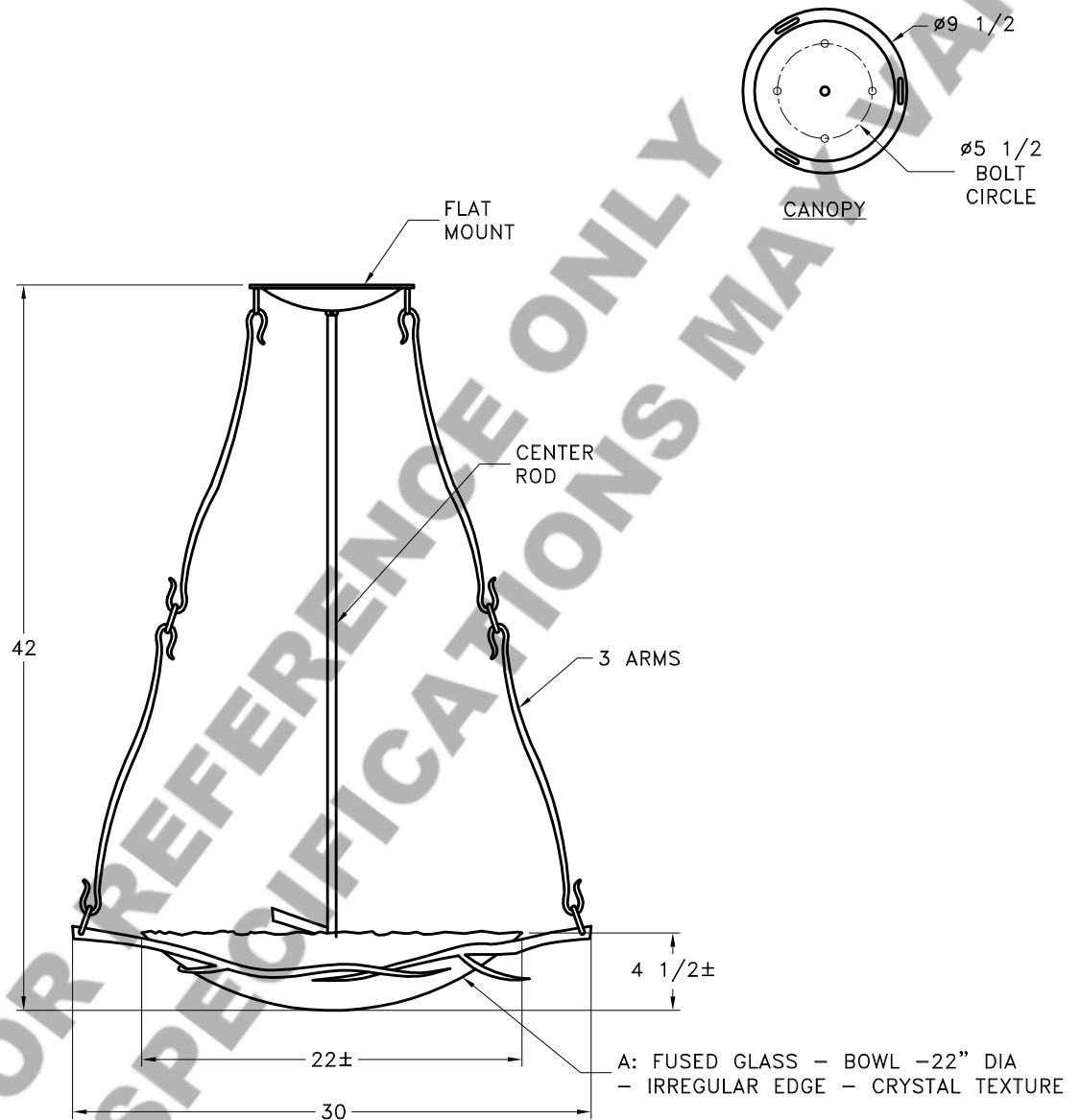


Location:

Product Name: BIRCH CHANDELIER

Product #: CHA0024-30



Visit lightspann.com for product options and specifications.

Mounting Packet: A	Electrical Type: INCANDESCENT	<p>Mounting Detail</p> <p>UL APPROVED J-BOX</p> <p>BUILDING STRUCTURE</p>
Approximate lbs.: 55 LBS	Bulb Qty: 3 Wattage: 60	
Finish: SEE WEB SITE FOR OPTIONS	Voltage: 120	
Top Diffuser: OPEN	Socket Type: CANDELABRA	
Bottom Diffuser: N/A	UL Location: DRY	

All fixtures created by Lightspann are handcrafted by artisans. Dimensions may vary up to 7/8".

©Copyright 2012. All rights in design, detail or invention of this drawing are reserved as the property of Lightspann. Any imitation or adaptation without written consent is strictly prohibited.

Lightspann Inc. • 217 Wright Brothers Dr. • Salt Lake City, UT 84116 • (510)663-9500

CAUTION
HARDWARE PACKET "A"
MOUNTS DIRECTLY TO
BUILDING STRUCTURE.