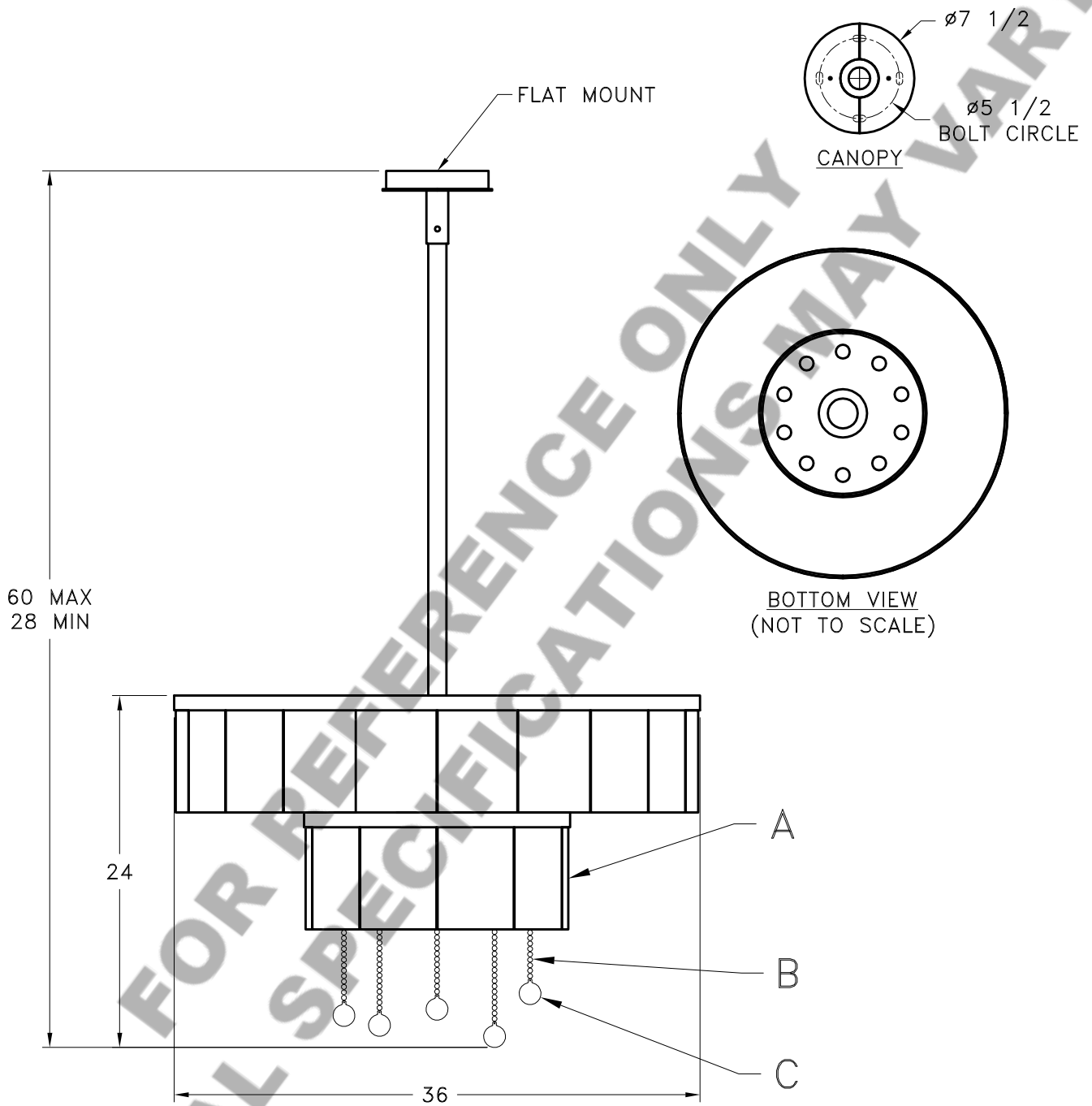


Location:

Product Name:

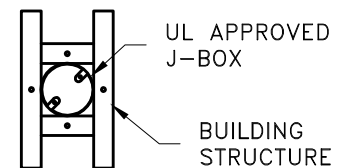
Product #: CHA2012



Visit lightspann.com for product options and specifications.

Mounting Style: A	Electrical Type: INCANDESCENT
Approximate lbs.: 195	Bulb Qty: 12 Wattage: 60
Finish: SEE WEB SITE FOR OPTIONS	Voltage: 120
Top Diffuser: OPEN	Socket Type: MEDIUM
Bottom Diffuser: FROSTED ACRYLIC	UL Location: DRY

Mounting Detail



CAUTION

HARDWARE PACKET "A" MOUNTS DIRECTLY TO BUILDING STRUCTURE.

All fixtures created by Lightspann are handcrafted by artisans. Dimensions may vary up to 7/8".

©Copyright 2016. All rights in design, detail or invention of this drawing are reserved as the property of Lightspann. Any imitation or adaptation without written consent is strictly prohibited.